

Studio Furniture Instruction Sheet Config-u-raxx Angle Side Wing - Wood

Raxxess Metalsmiths
261 Buffalo Avenue
Paterson, N.J. 07503
Made with pride in the U.S.A.

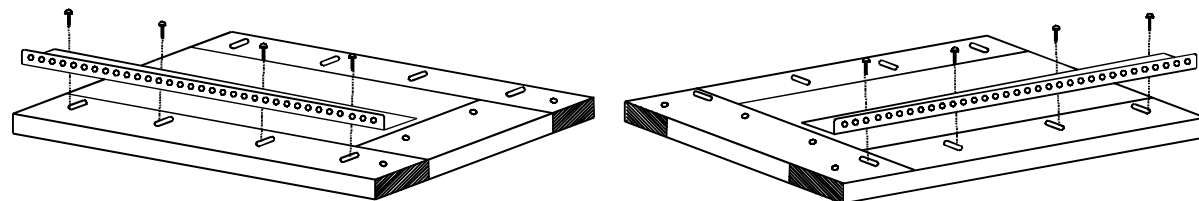
Page 1 of 4

Step 1:

Place the two side panels on a clean flat surface, with the holes facing up. If you are going to use the Raxxess SFRD door, you'll want to place the rails on the side with the flat moulding on the front edge. If you are not using a door, you'll want to place the rails on the side that has the silver "t mould", but the choice is yours.

Place the Rack rails on them, lining up the small pilot holes in the panels with the 1/4" holes in the rack rails.

Drive 4 black wood screws into the matching holes, securing the rails in place with the small holes facing the front as shown.

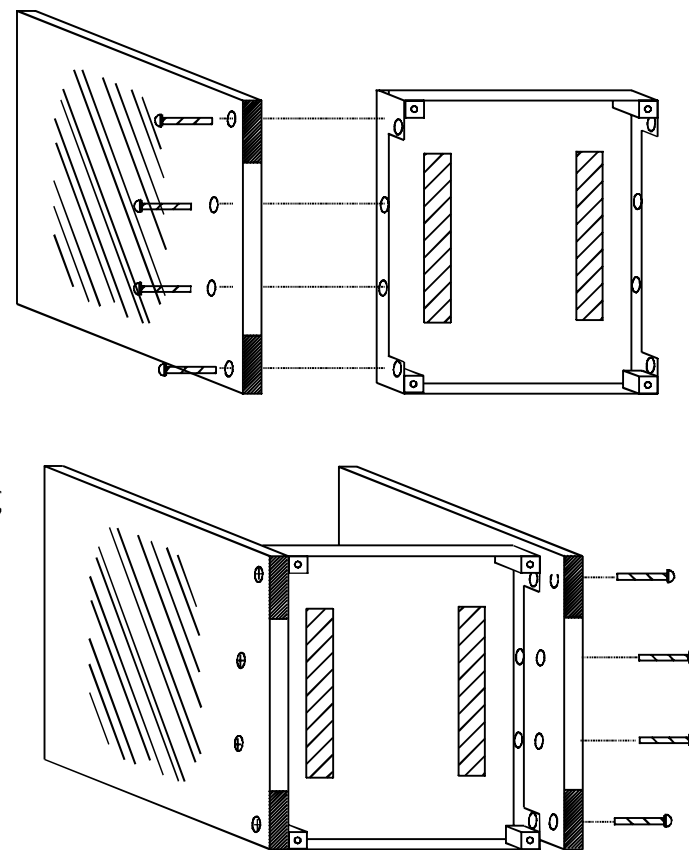


Step 2:

Place one of the side panels in the position shown, next to the rack base.

Run 4 1/4-20 x 1 1/4" screws with washers into the sides of the panel, and into the appropriate holes in the base.

Now do the same thing with the other side panel, leaving all screws loose until they are all in, then tighten them securely.



Studio Furniture Instruction Sheet Config-u-raxx Angle Side Wing - Wood

Step 3:

Now let's prep the table top.

First, you'll have to decide if you prefer the "forward", or "rear" position for your top. The forward position gives you better access to the gear at the front of the rack.

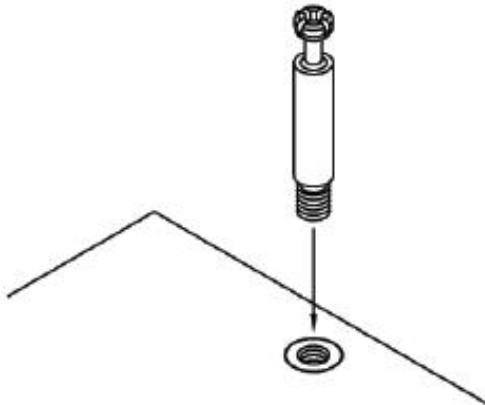
The rear position will provide more legroom, and therefore will limit access to the gear.

Once you decide, place the 6 studs in the front-most holes, or the rear-most holes as shown.

Studio Furniture Instruction Sheet Config-u-raxx Angle Side Wing - Wood

Step 4:

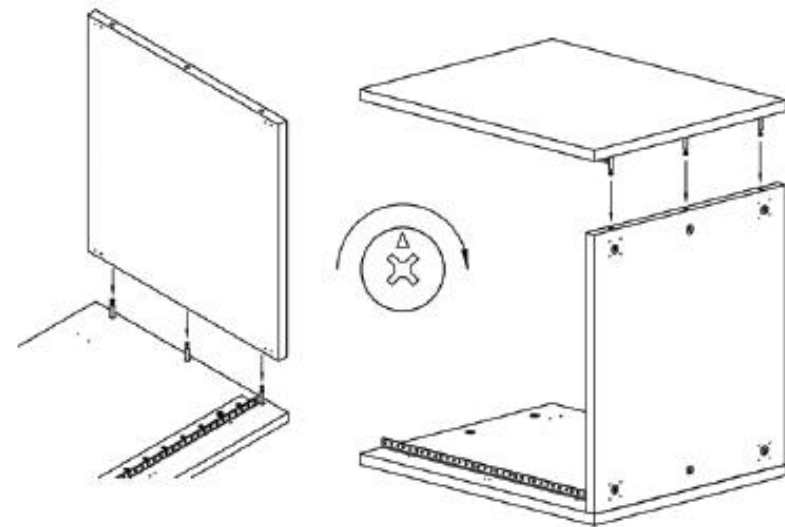
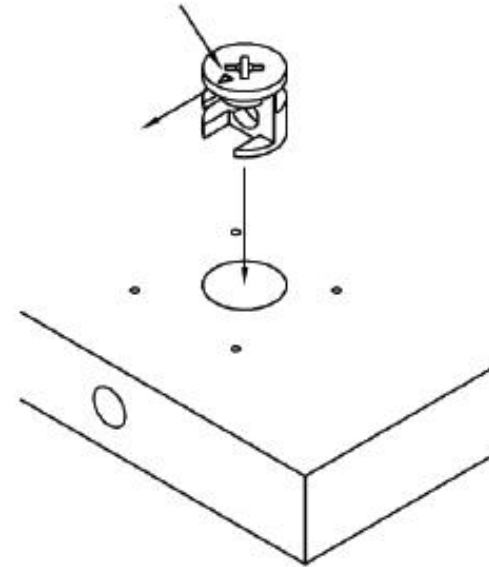
USING A SCREWDRIVER INSERT ALL K/D STUDS INTO THE PLASTIC INSERTS. THE PLASTIC INSERTS SHOULD HAVE ALREADY BEEN INSTALLED IN THE WOOD.



Step 6:

ASSEMBLE BOTH SIDES TO THE BOTTOM. LAY ONE SIDE DOWN AND INSERT THE BOTTOM ONTO THE STUDS STICKING UP. TURN CAMS TILL THEY STOP TURNING AND LOCK. THEN INSERT THE STUDS FROM THE OPPOSITE SIDE INTO THE HOLES IN THE BOTTOM AND TURN CAMS TILL LOCKED.

Step 5:
INSTALL ALL CAMS INTO THE WOOD. ROTATE THE ARROW ON THE CAM TILL IT FACES THE HOLE IN THE SIDE OF THE WOOD (AS SHOWN BELOW).



Studio Furniture Instruction Sheet Config-u-raxx Angle Side Wing - Wood

If you are adding an RB-22 to your side wing rack, follow step 7.

If you are not adding a shelf, turn the unit on it's back, add your rackmount gear, and have at it!

Step 7:

Place a "reciever" (tubing whatchamacallits with silver knobs), in the position shown, and run 2 1/4-20 x 5/8" silver screws in, through the holes, into the table top.

Place the other reciever next to it, and run in 2 more of the same screws.

Now carefully turn the unit over, and get the shelf and the remaining tubes.

Next, screw the "uprights" (larger tubing things with holes up the sides), to the underside of the shelf, as shown, with 4 more of the same screws, and drop the uprights into the recievers as shown.

The knobs pull out, then turn, to remain open so that you can find the shelf height that you are comfortable with, then turn them all back at once, when you are near (slightly above) the position that you want. When they all find their holes, they will "click" into place securely.

