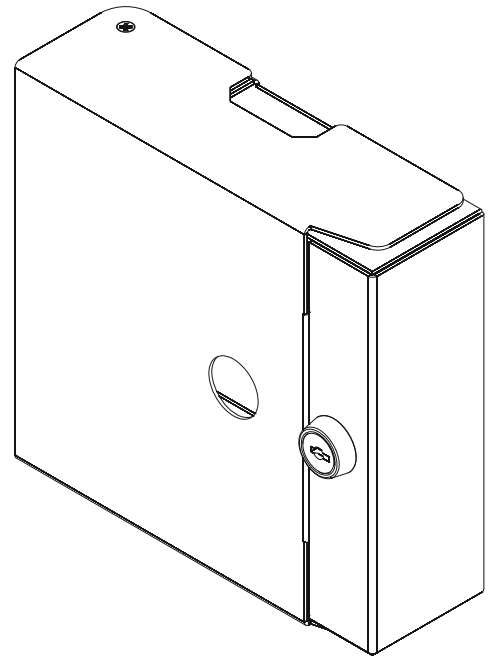
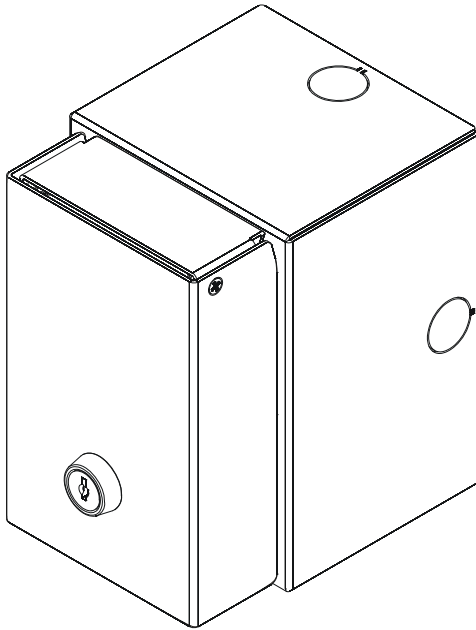

INSTALLATION INSTRUCTIONS



Electrical Box and Security Covers

DISCLAIMER

Milestone AV Technologies, and its affiliated corporations and subsidiaries (collectively, "Milestone"), intend to make this manual accurate and complete. However, Milestone makes no claim that the information contained herein covers all details, conditions or variations, nor does it provide for every possible contingency in connection with the installation or use of this product. The information contained in this document is subject to change without notice or obligation of any kind. Milestone makes no representation of warranty, expressed or implied, regarding the information contained herein. Milestone assumes no responsibility for accuracy, completeness or sufficiency of the information contained in this document.

Chief® is a registered trademark of Milestone AV Technologies. All rights reserved.

! IMPORTANT WARNINGS AND CAUTIONS!

! WARNING: A WARNING alerts you to the possibility of serious injury or death if you do not follow the instructions.

! CAUTION: A CAUTION alerts you to the possibility of damage or destruction of equipment if you do not follow the corresponding instructions.

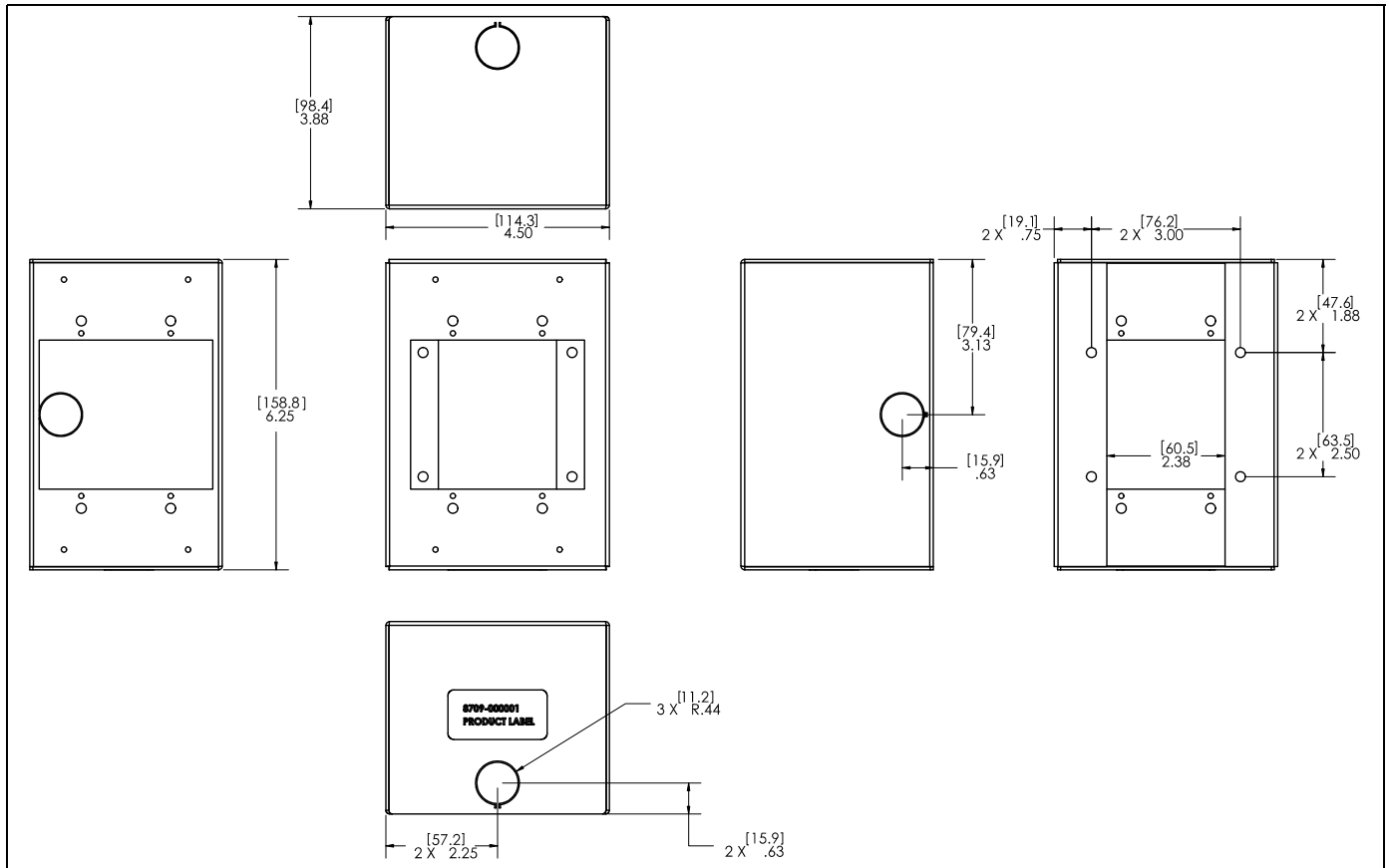
! WARNING: Failure to read, thoroughly understand, and follow all instructions can result in serious personal injury, damage to equipment, or voiding of factory warranty! It is the installer's responsibility to make sure all components are properly assembled and installed using the instructions provided.

LEGEND

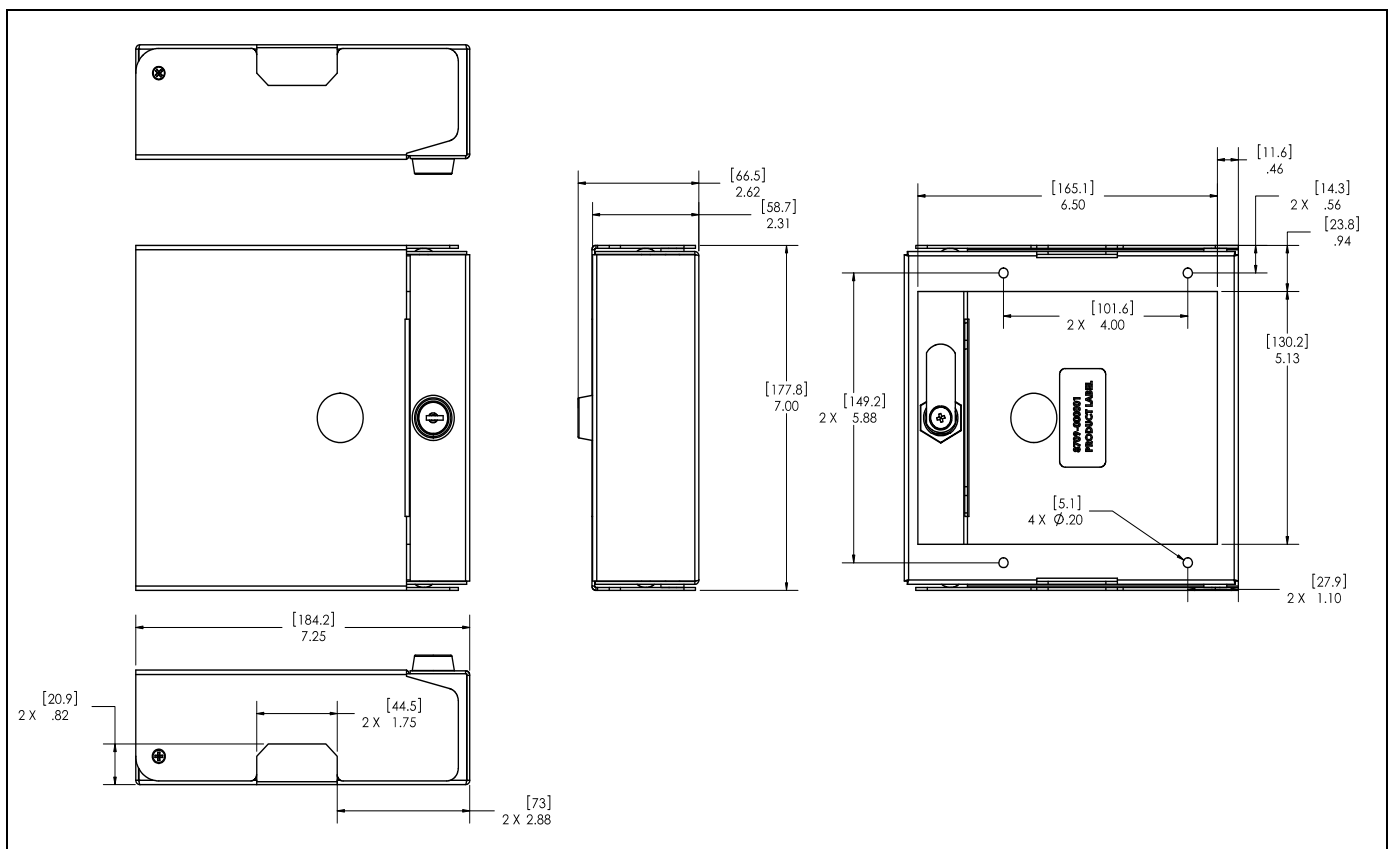
| | |
|-------------------------------|------------------------------|
| | Tighten Fastener |
| | Apretar elemento de fijación |
| | Befestigungsteil festziehen |
| | Apertar fixador |
| | Serrare il fissaggio |
| | Bevestiging vastdraaien |
| | Serrez les fixations |
| | Loosen Fastener |
| | Aflojar elemento de fijación |
| | Befestigungsteil lösen |
| | Desapertar fixador |
| | Allentare il fissaggio |
| | Bevestiging losdraaien |
| | Desserrez les fixations |
| | Phillips Screwdriver |
| | Destornillador Phillips |
| | Kreuzschlitzschraubendreher |
| | Chave de fendas Phillips |
| | Cacciavite a stella |
| | Kruiskopschroevendraaier |
| Tournevis à pointe cruciforme | |

| | |
|--------------------|--------------------|
| | Pencil Mark |
| | Marcar con lápiz |
| | Stiftmarkierung |
| | Marcar com lápis |
| | Segno a matita |
| | Potloodmerkteken |
| Marquage au crayon | |
| | Drill Hole |
| | Perforar |
| | Bohrloch |
| | Fazer furo |
| | Praticare un foro |
| | Gat boren |
| | Percez un trou |
| | Adjust |
| | Ajustar |
| | Einstellen |
| | Ajustar |
| | Regolare |
| | Afstellen |
| Ajuster | |

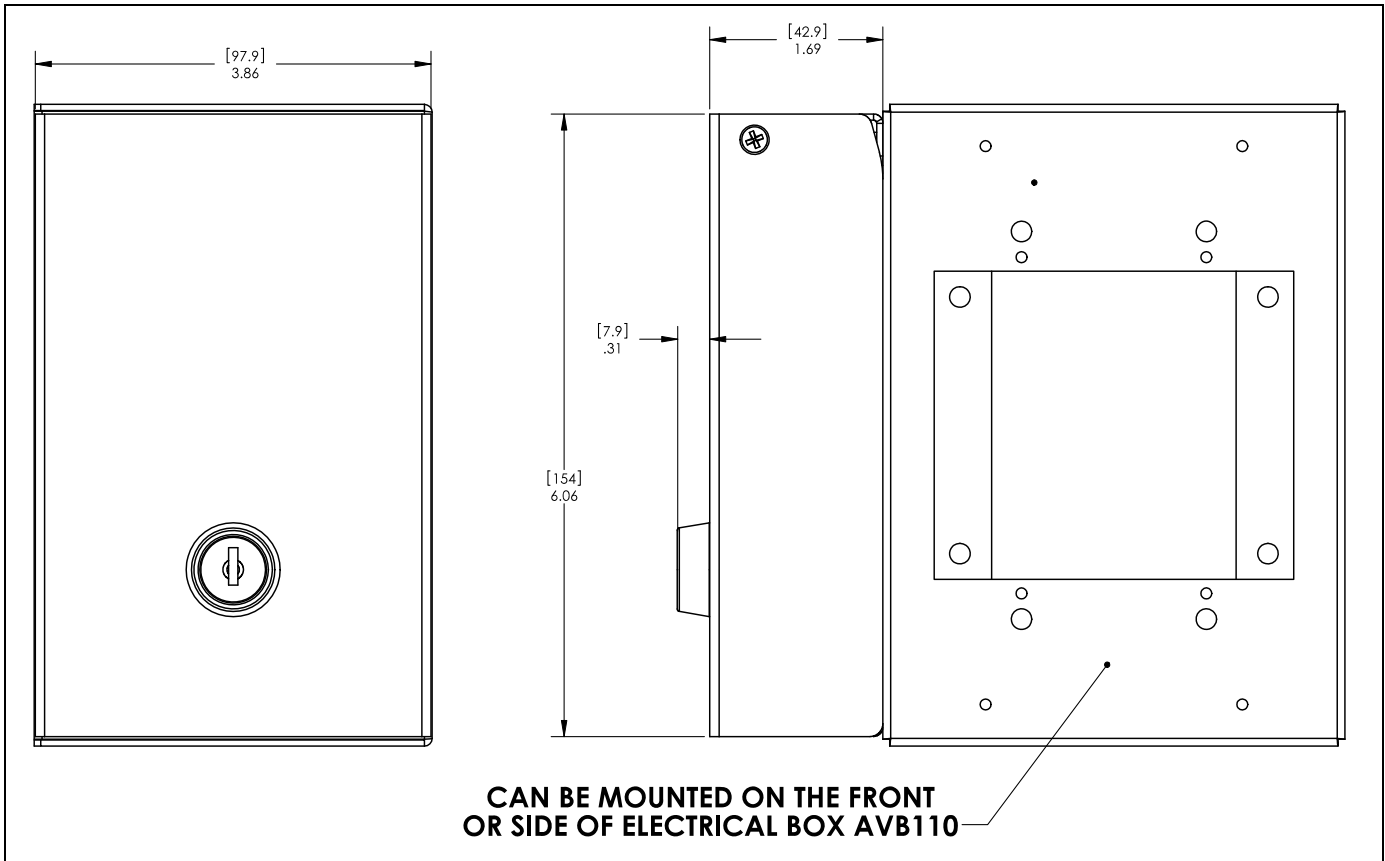
DIMENSIONS - AVB110



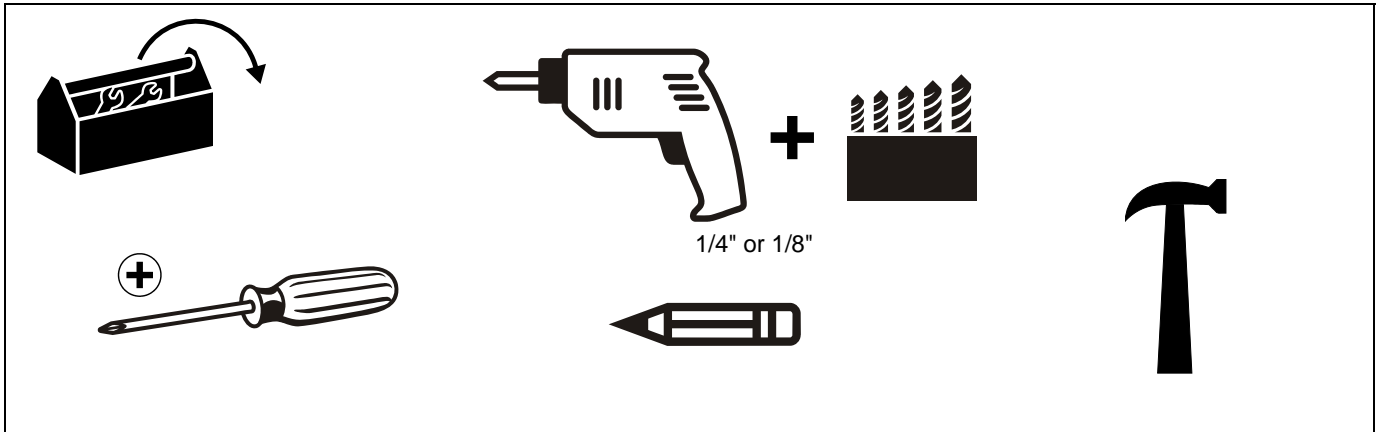
DIMENSIONS - AVB200



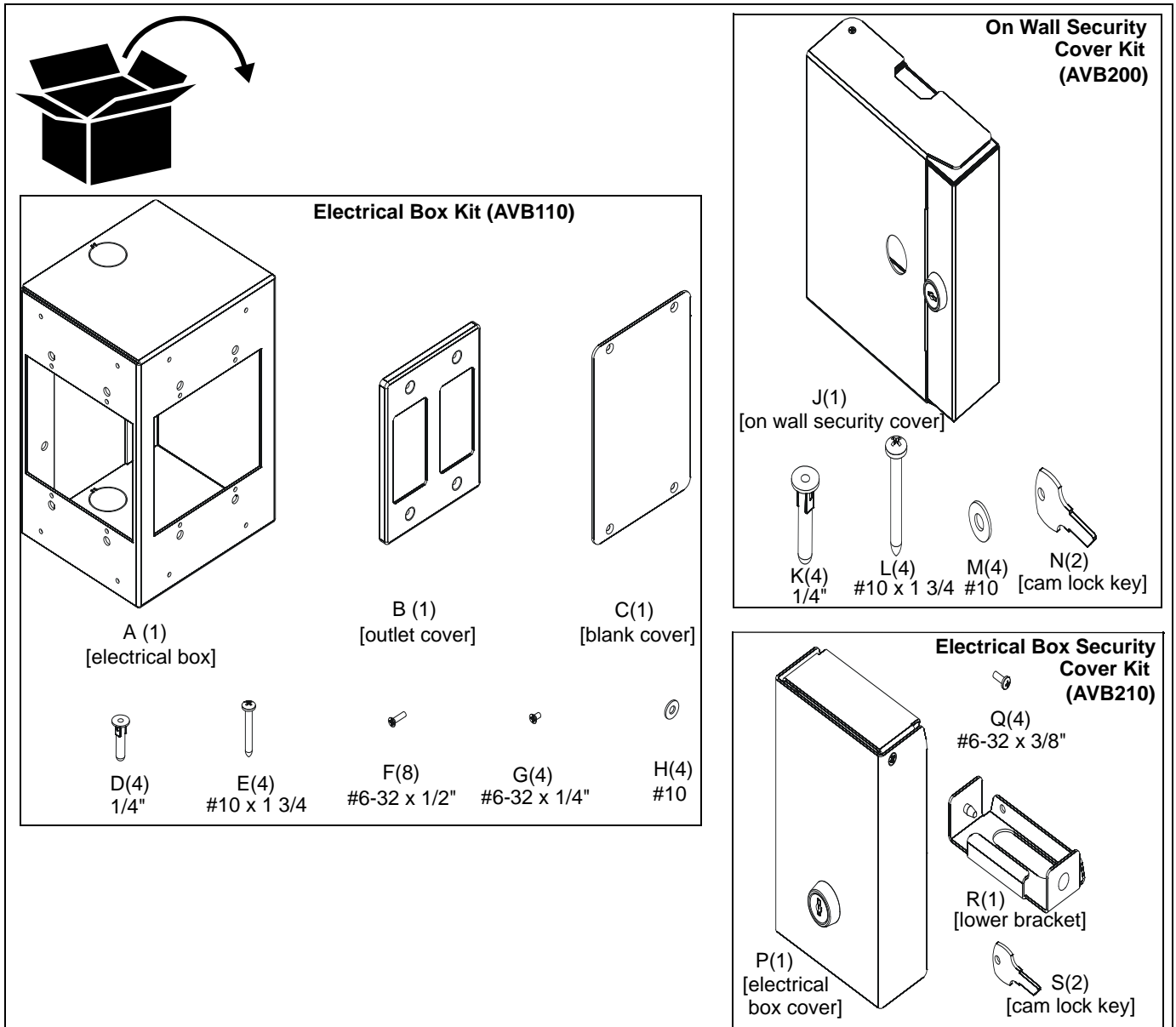
DIMENSIONS - AVB210



TOOLS REQUIRED FOR INSTALLATION



PARTS



Electrical Box Installation

Electrical Box Installation into Steel Studs, Concrete, Concrete Block, Brick or a Hollow Wall

IMPORTANT ! : If installing to a wood wall or wood studs, skip ahead to Electrical Box Installation in Wood Wall or Wood Studs section.

1. Determine mounting location on wall.
2. Using electrical box (A) as a template, mark location of four holes in wall at desired mounting location. (See Figure 1)
3. Drill four 1/4" holes at locations marked in previous step. (See Figure 1)

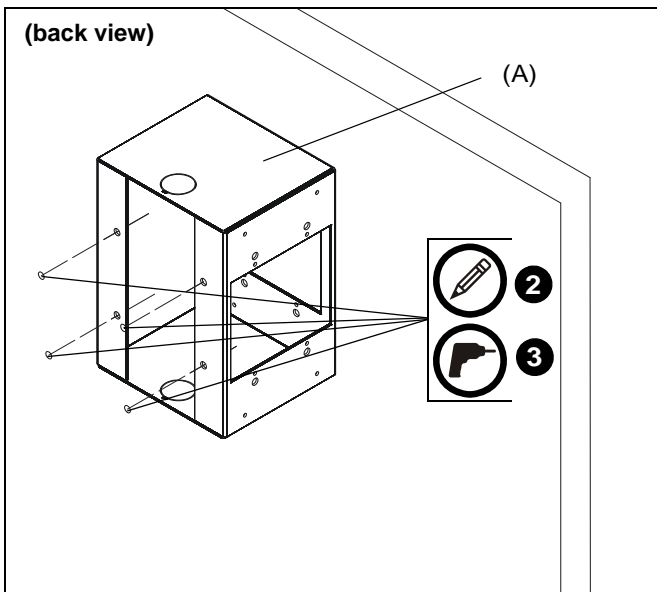


Figure 1

4. Install four 1/4" alligator anchors (D) into drilled holes. (See Figure 2)
5. Place electrical box (A) against wall lining up the holes on the back with the installed anchors (D). (See Figure 2)
6. Install four #10 x 1 3/4" Phillips screws (E) through #10 washers (H), holes in electrical box (A) and into installed anchors (D). (See Figure 2)

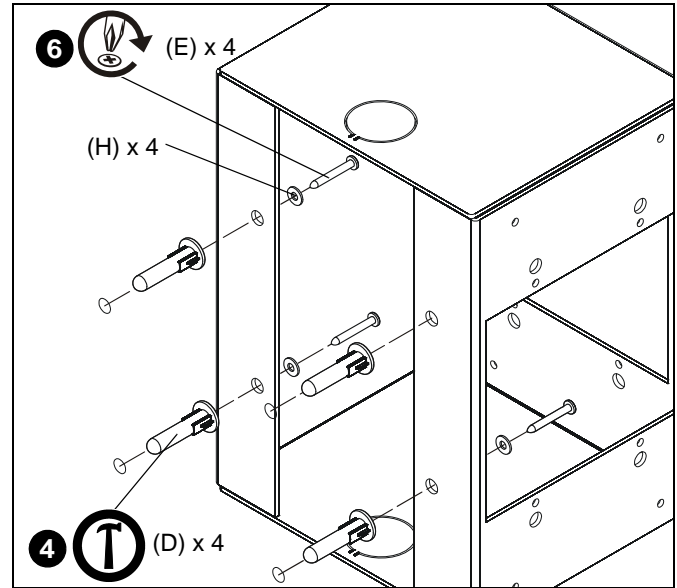


Figure 2

Electrical Box Installation into Wood Wall or Wood Studs

1. Determine mounting location on wall.
2. Using electrical box (A) as a template, mark location of four holes in wall at desired mounting location. (See Figure 1)
3. Drill four 1/8" holes at locations marked in previous step. (See Figure 1)
4. Place electrical box (A) against wall lining up the holes on the back with the drilled holes. (See Figure 3)
5. Install four #10 x 1 3/4" Phillips screws (E) through #10 washers (H), holes in electrical box (A) and into holes in wall. (See Figure 3)

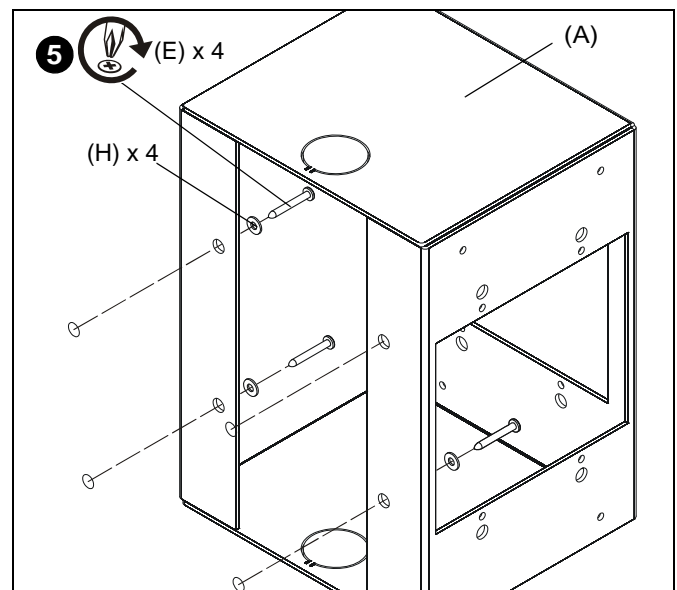


Figure 3

HB Module Installation

1. Remove any knockouts needed for 1/2" conduits and route any required conduits through knockout holes. (See Figure 4)

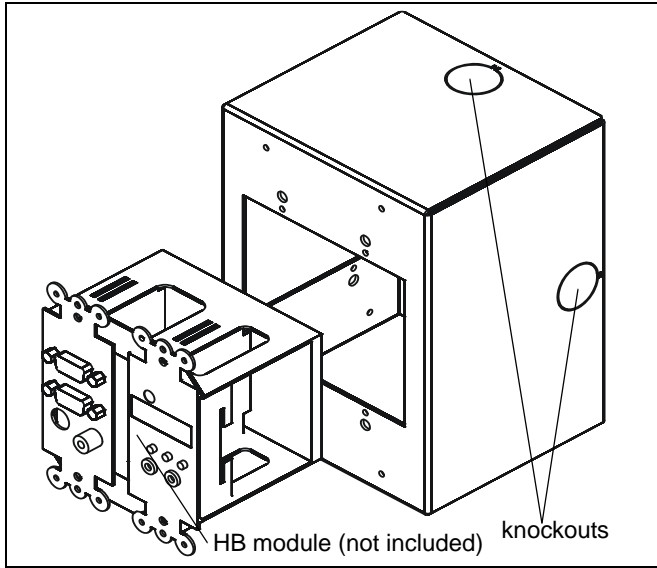


Figure 4

2. Install HB module (not included) to electrical box using four #6-32 x 1/2" Phillips flat machine screws (F). (See Figure 5)

NOTE: The module may be installed to either the front or side opening of electrical box.

IMPORTANT ! : If ADA compliance is required, the HB module **MUST** be installed to side of electrical box in order to achieve required 4" minimum distance from wall.

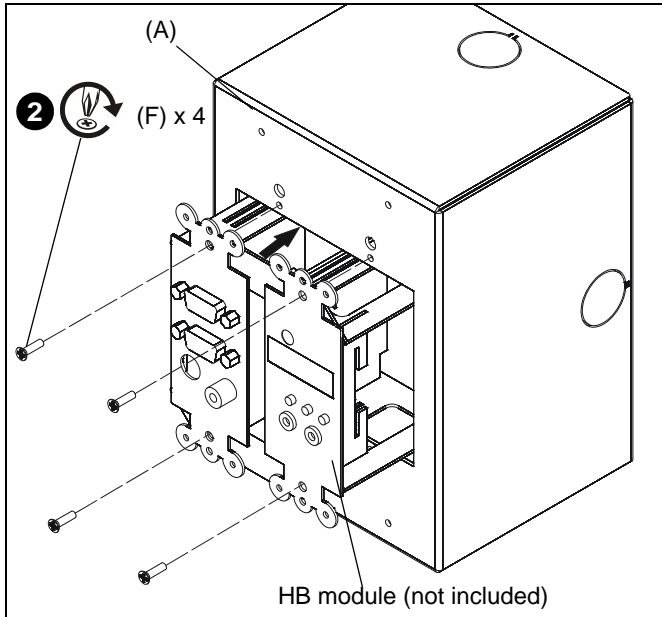


Figure 5

3. Install outlet cover (B) over installed HB module using four #6-32 x 1/2" Phillips flat machine screws (F). (See Figure 6)

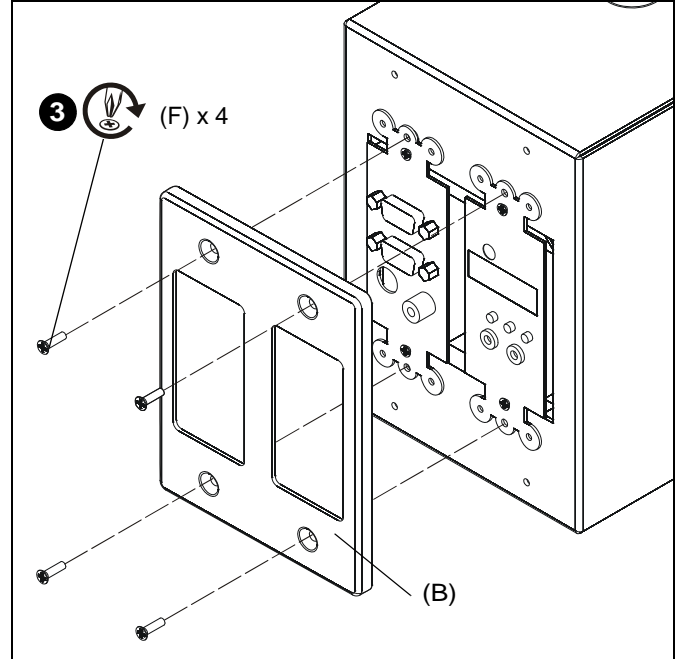


Figure 6

4. Install blank cover (C) to cover unused opening in electrical box (A) by installing four #6-32 x 1/4" Phillips flat machine screws (G) through cover holes and into holes on electrical box. (See Figure 7)

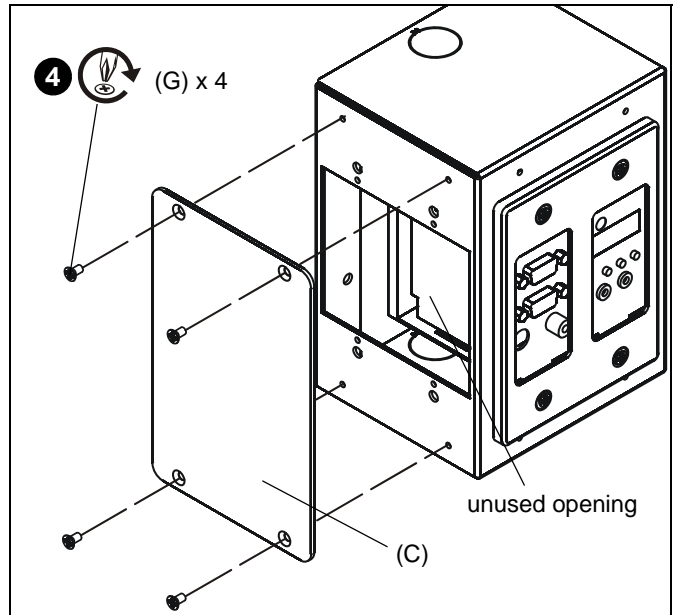


Figure 7

Installing Security Covers

Electrical Box Security Cover

1. Install four #6-32 x 3/8" Phillips pan machine screws (Q) through holes on electrical box cover (P) and lower bracket (R). (See Figure 8)

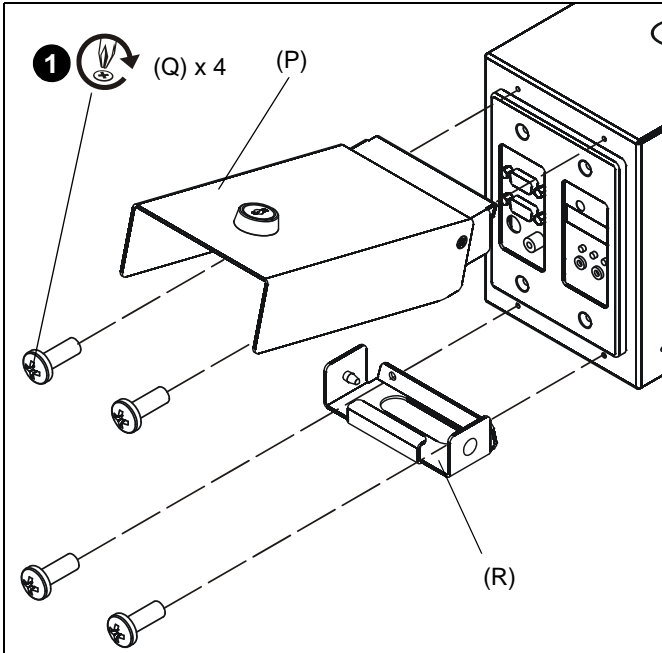


Figure 8

On Wall Security Cover Installation

On Wall Security Cover Installation into Steel Studs, Concrete, Concrete Block, Brick or Hollow Wall

NOTE: The on wall security cover can only be used to cover electrical boxes that are mounted into a wall.

IMPORTANT ! : If installing to a wood wall or wood studs, skip ahead to On Wall Security Cover Installation into Wood Wall or Wood Studs section.

1. Using on wall security cover (J) as a template, mark four holes around the outside of installed electrical box.
2. Drill four 1/4" holes in locations marked in previous step.
3. Install four 1/4" alligator anchors (K) into four drilled holes.
4. Place on wall security cover (J) against wall lining up the holes on the back with the installed anchors (K). (See Figure 9)
5. Install four #10 x 1 3/4" Phillips screws (L) through #10 washers (M), holes in security cover (J) and into installed anchors (K). (See Figure 9)

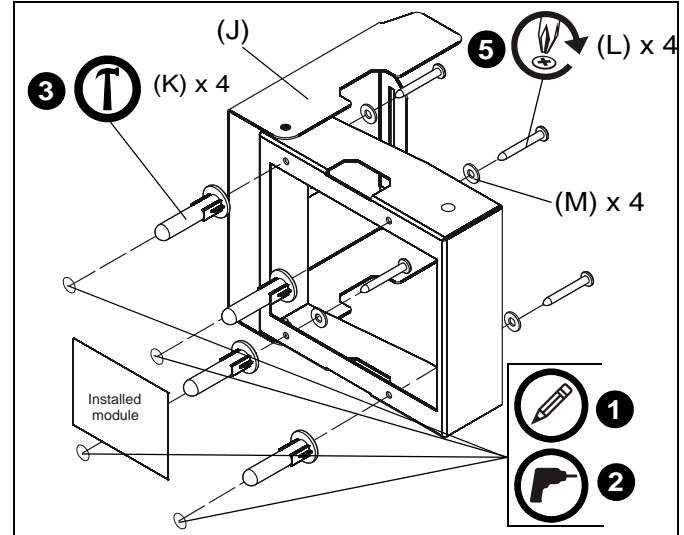


Figure 9

On Wall Security Cover Installation into Wood Wall or Wood Studs

1. Using on wall security cover (J) as a template, mark four holes around the outside of installed electrical box.
2. Drill four 1/8" holes in locations marked in previous step.
3. Place on wall security cover (J) against wall lining up the holes on the back with the drilled holes. (See Figure 10)
4. Install four #10 x 1 3/4" Phillips screws (L) through #10 washers (M), holes in security cover (J) and into drilled holes. (See Figure 10)

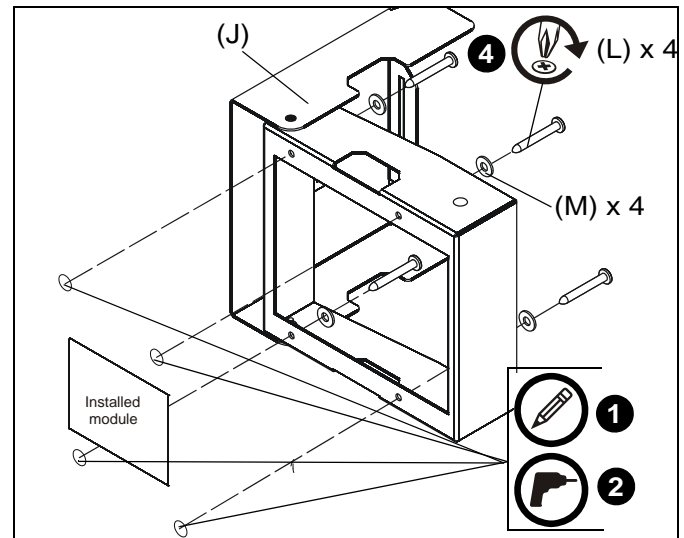


Figure 10



Our Mounts. **Your Vision.**

Chief Manufacturing, a products division
of Milestone AV Technologies

8800-002027 Rev 00
©2009 Milestone AV Technologies, a
Duchossois Group Company
www.chiefmfg.com
05/09

USA/International A 8401 Eagle Creek Parkway, Savage, MN 55378
P 800.582.6480 / 952.894.6280
F 877.894.6918 / 952.894.6918

Europe A Fellenoord 130 5611 ZB EINDHOVEN, The Netherlands
P +31 (0)40 2668620
F +31 (0)40 2668615

Asia Pacific A Room 24F, Block D, Lily YinDu International Building
LuoGang, BuJi Town, Shenzhen, CHINA.
深圳市布吉罗岗村百合银都国际大厦D栋24F
P +86-755-8996 9226
F +86-755-8996 9217

