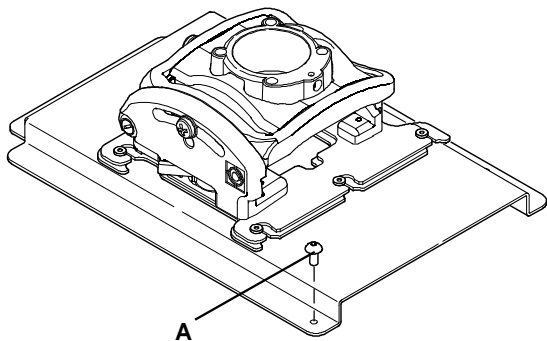


## Installation Instructions for Models RPM A, B and C and Models RSM A, B, C and D



1. If a projector is currently installed, remove two screws, preferably from opposite corners of each other, securing SLM/SSM to projector.
2. Using security wrench and security screws (A) from All-Points Security package, secure SLM/SSM to projector, or replace screws removed in step one with security screws using security wrench.

See *RPM Series and SLM Interface Bracket Installation instructions* for further installation instructions.



Chief Manufacturing, Inc.

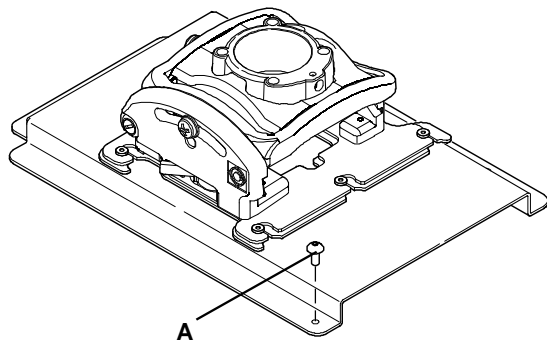
8401 Eagle Creek Parkway, Savage, MN 55378

P800.582.6480 / 952.894.6280 F877.894.6918 / 952.894.6918

[www.chiefmfg.com](http://www.chiefmfg.com)

8811-000010 Rev02

## Installation Instructions for Models RPM A, B and C and Models RSM A, B, C and D



1. If a projector is currently installed, remove two screws, preferably from opposite corners of each other, securing SLM/SSM to projector.
2. Using security wrench and security screws (A) from All-Points Security package, secure SLM/SSM to projector, or replace screws removed in step one with security screws using security wrench.

See *RPM Series and SLM Interface Bracket Installation instructions* for further installation instructions.



Chief Manufacturing, Inc.

8401 Eagle Creek Parkway, Savage, MN 55378

P800.582.6480 / 952.894.6280 F877.894.6918 / 952.894.6918

[www.chiefmfg.com](http://www.chiefmfg.com)

8811-000010 Rev02

# All-Points<sup>TM</sup> Security Kit



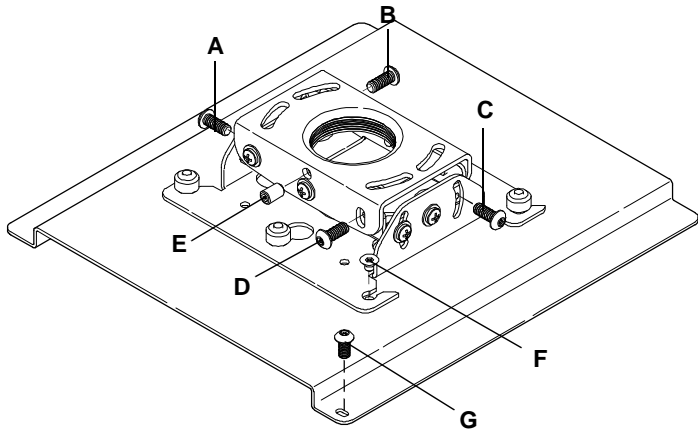
## Installation Instructions

# All-Points<sup>TM</sup> Security Kit



## Installation Instructions

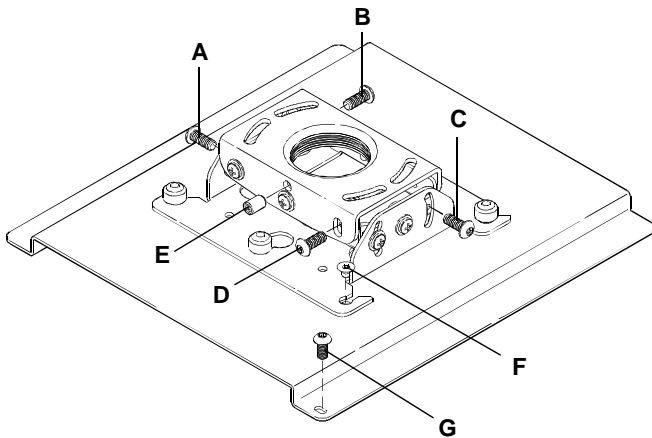
## Installation Instructions for Model RPA



1. Remove four screws A thru D.
2. Using security wrench (provided), replace screws A thru D with security screws.
3. Using security wrench (provided), remove 5/16" standard set screw (E) and replace using 5/16" security set screw.
4. Remove two screws from bottom of SLB, preferably one from each far corner.
5. Using security wrench (provided), replace screws in SLB with undercut security screws (F) from top side.
6. Using security wrench and security screws (G) from All-Points Security package, secure SLB to projector.

See RPA Series and SLB Interface Bracket Installation instructions for additional information.

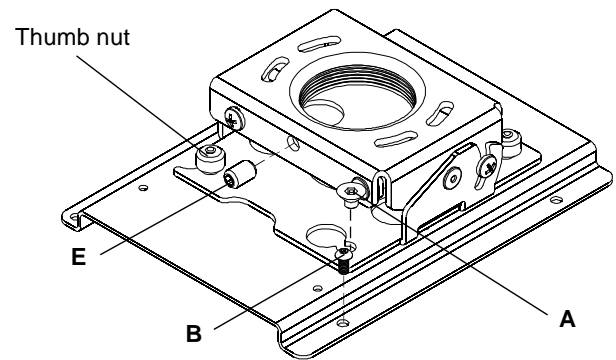
## Installation Instructions for Model RPA



1. Remove four screws A thru D.
2. Using security wrench (provided), replace screws A thru D with security screws.
3. Using security wrench (provided), remove 5/16" standard set screw (E) and replace using 5/16" security set screw.
4. Remove two screws from bottom of SLB, preferably one from each far corner.
5. Using security wrench (provided), replace screws in SLB with undercut security screws (F) from top side.
6. Using security wrench and security screws (G) from All-Points Security package, secure SLB to projector.

See RPA Series and SLB Interface Bracket Installation instructions for additional information.

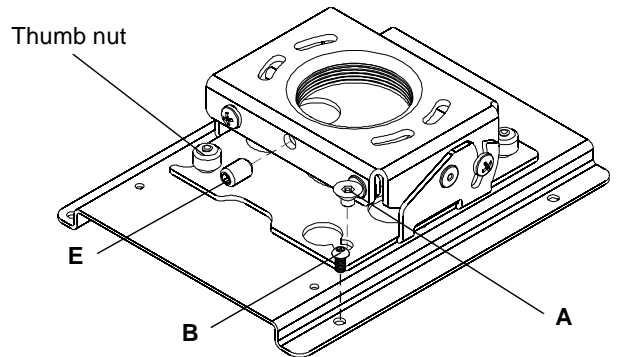
## Installation Instructions for Model RSA



1. Remove two thumb nuts, preferably from opposite corners, securing SSB to RSA.
2. Remove two screws, from which thumb nuts in Step 1 were removed, from bottom side of SSB.
3. Using security wrench (provided), replace screws with undercut security screws (A) from top side.
4. Using security wrench and security screws (B) from All-Points Security package, secure SSB to projector.
5. Using security wrench (provided), remove 5/16" standard set screw (E) and replace with 5/16" security set screw.

See RSA Series and SSB Interface Bracket Installation instructions for additional information.

## Installation Instructions for Model RSA



1. Remove two thumb nuts, preferably from opposite corners, securing SSB to RSA.
2. Remove two screws, from which thumb nuts in Step 1 were removed, from bottom side of SSB.
3. Using security wrench (provided), replace screws with undercut security screws (A) from top side.
4. Using security wrench and security screws (B) from All-Points Security package, secure SSB to projector.
5. Using security wrench (provided), remove 5/16" standard set screw (E) and replace with 5/16" security set screw.

See RSA Series and SSB Interface Bracket Installation instructions for additional information.