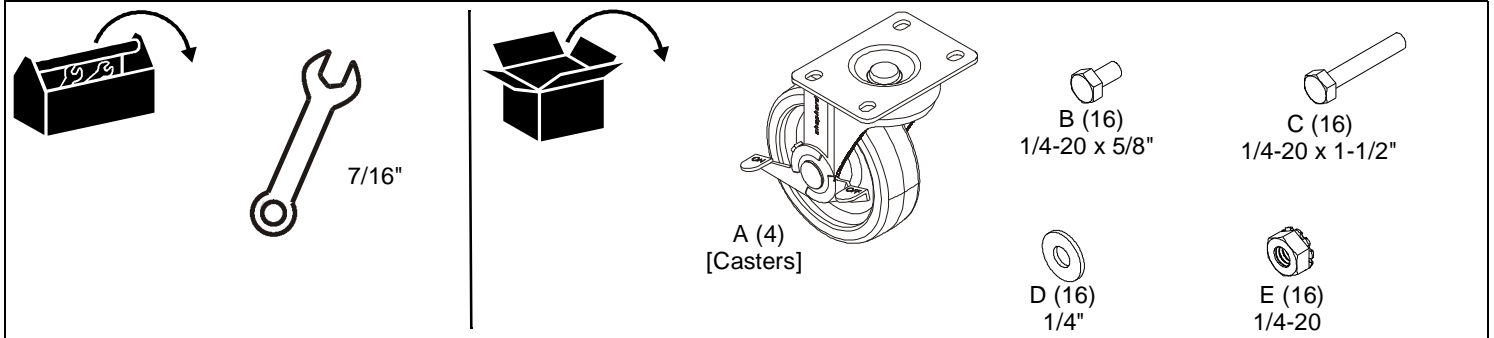


# INSTALLATION INSTRUCTIONS

## CASTER-CRLCK Casters

The CASTER-CRLCK casters are designed for use with Chief® ECR-ST racks.

### TOOLS REQUIRED / PARTS INCLUDED



**WARNING:** FAILURE TO READ, THOROUGHLY UNDERSTAND, AND FOLLOW ALL INSTRUCTIONS CAN RESULT IN SERIOUS PERSONAL INJURY, DAMAGE TO EQUIPMENT, OR VOIDING OF FACTORY WARRANTY! It is the installer's responsibility to make sure all components are properly assembled and installed using the instructions provided.

### Caster Installation

1. Attach one caster (A) to one corner of the rack using four 1/4-20 x 5/8" hex head tap bolts (B), four 1/4" washers (D), and 1/4-20 lock nuts (E) for each caster. (See Figure 1)
2. Repeat Step 1 for each caster.

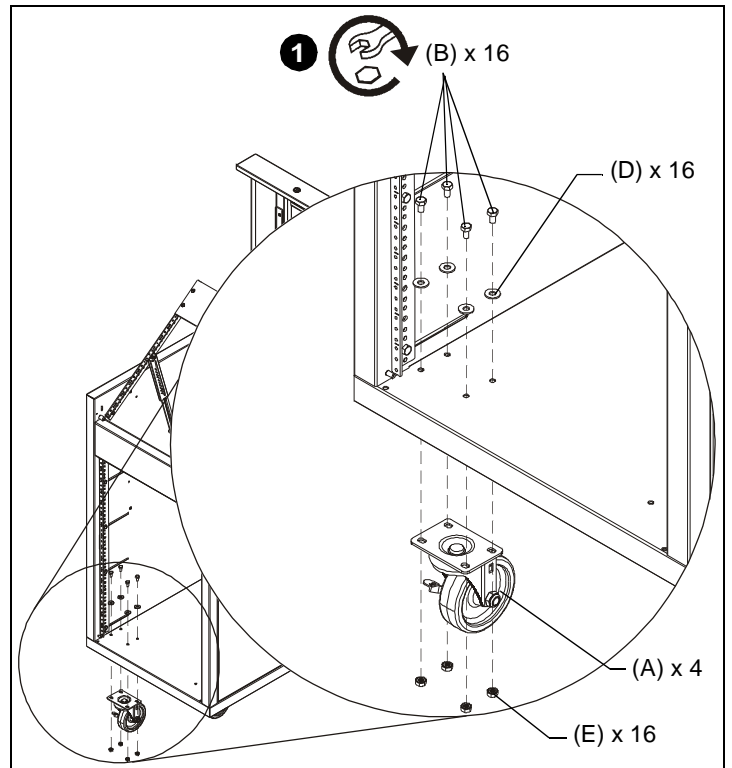


Figure 1

©Chief is a registered trademark of Milestone AV Technologies.  
All rights reserved.

Milestone AV Technologies, and its affiliated corporations and subsidiaries (collectively, "Milestone"), intend to make this manual accurate and complete. However, Milestone makes no claim that the information contained herein covers all details, conditions or variations, nor does it provide for every possible contingency in connection with the installation or use of this product. The information contained in this document is subject to change without notice or obligation of any kind. Milestone makes no representation of warranty, expressed or implied, regarding the information contained herein. Milestone assumes no responsibility for accuracy, completeness or sufficiency of the information contained in this document.



Our Mounts. Your Vision.

Chief, a products division of Milestone AV Technologies

6436 City West Parkway, Eden Prairie, MN 55344

• P: 800.582.6480 / 952.225.6000 • F: 877.894.6918 / 952.894.6918

8800-002904 Rev00

©2016 Milestone AV Technologies

[www.milestone.com](http://www.milestone.com)

12/16