

OPERATING INSTRUCTIONS

MODEL: CM1 Automated Swing Arm

⚠ WARNING: IMPROPER USE CAN LEAD TO EQUIPMENT FAILURE CAUSING SERIOUS PERSONAL INJURY AND DAMAGE TO EQUIPMENT! There are NO user servicable parts within the CM1. If lift fails to operate properly immediately contact a Chief Customer Services Representative by calling 1-800-582-6480

Operation of the CM1 is done through the remote control provided with the mount.

The remote control has a range of 20-30ft (6-9m), and is powered by 2 AAA batteries that are accessed from the back of the remote.

IMPORTANT ! : When larger displays are installed the mount will not allow retraction until the display has been repositioned slightly. If this occurs press the remote button required to move the display towards center, and then press the retract or home button again.

The following table identifies mount functionality and response by button on the remote control.

KEY	FUNCTION	REQUIRED ACTION
1	MOVE DISPLAY TO HOME	PRESS ONCE
2	EXTEND DISPLAY	PRESS AND HOLD
3	MOVE DISPLAY LEFT	PRESS AND HOLD
4	MOVE DISPLAY RIGHT	PRESS AND HOLD
5	RETRACT DISPLAY	PRESS AND HOLD
6	PRESET POSITION 1	PRESS ONCE
7	PRESET POSITION 2	PRESS ONCE
8	PRESET POSITION 3	PRESS ONCE
9	SAVE PRESET POSITION	PRESS ONCE

⚠ WARNING: PINCH HAZARD! FINGERS OR HANDS BETWEEN MOVING PARTS CAN LEAD TO SEVERE PERSONAL INJURY! Keep fingers and hands away from mount lift arms when operating.

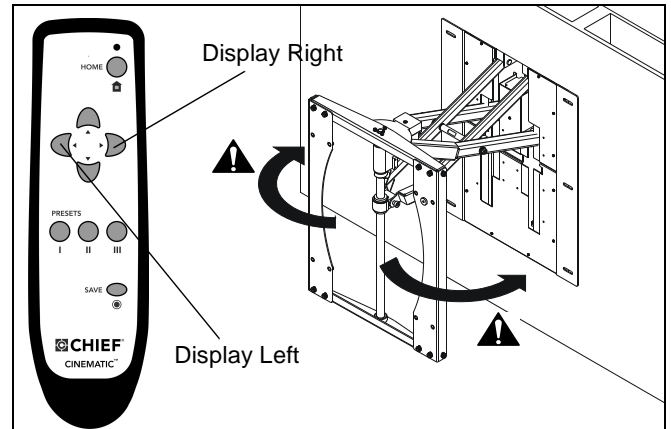


Figure 2

Configuring Pre-Set Feature

The Model CM1 mount provides for the programming of up to three (3) preset mount positions.

To use the mount position preset feature:

1. Move the mount to desired position using appropriate buttons on remote.
2. Press the "SAVE" button on remote to store mount position.
3. Press the desired "PRESETS" button on remote (1, 2, or 3)
4. Repeat steps 1 through 3 for each desired setting.

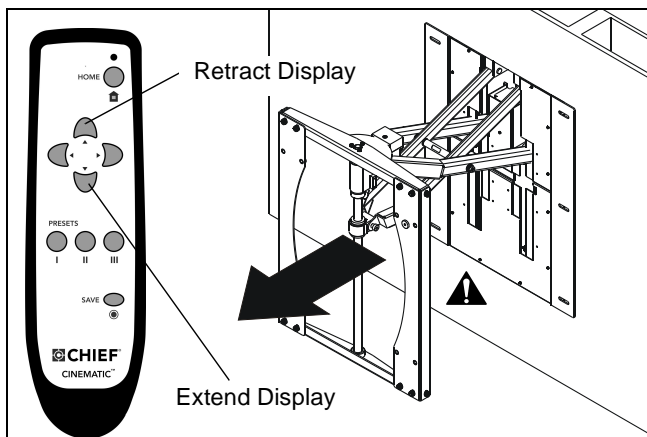


Figure 1

To reset mount to factory settings see Installation Instructions.

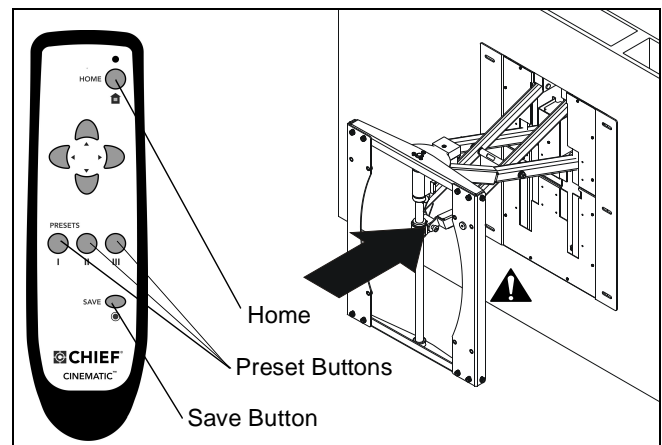


Figure 3

NOTE: Pressing the "HOME" button will return the mount to the the fully retracted (factory preset) position. The mount will retain all presets.

CSAV, Inc., and its affiliated corporations and subsidiaries (collectively, "CSAV"), intend to make this manual accurate and complete. However, CSAV makes no claim that the information contained herein covers all details, conditions or variations, nor does it provide for every possible contingency in connection with the installation or use of this product. The information contained in this document is subject to change without notice or obligation of any kind. CSAV makes no representation of warranty, expressed or implied, regarding the information contained herein. CSAV assumes no responsibility for accuracy, completeness or sufficiency of the information contained in this document.