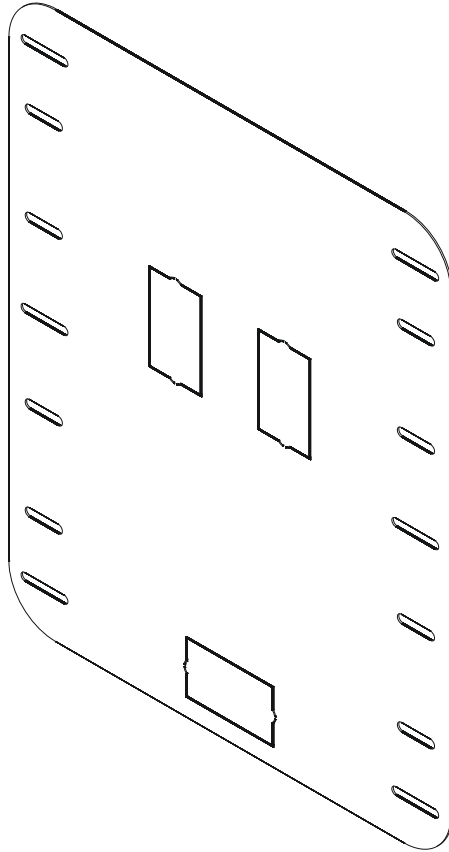

INSTALLATION INSTRUCTIONS



CM1 TO CM7 CONVERSION ADAPTER

DISCLAIMER

Milestone AV Technologies, Inc., and its affiliated corporations and subsidiaries (collectively, "Milestone"), intend to make this manual accurate and complete. However, Milestone makes no claim that the information contained herein covers all details, conditions or variations, nor does it provide for every possible contingency in connection with the installation or use of this product. The information contained in this document is subject to change without notice or obligation of any kind. Milestone makes no representation of warranty, expressed or implied, regarding the information contained herein. Milestone assumes no responsibility for accuracy, completeness or sufficiency of the information contained in this document.

Chief® is a registered trademark of Milestone AV Technologies. All rights reserved.



IMPORTANT WARNINGS AND CAUTIONS!



WARNING: A WARNING alerts you to the possibility of serious injury or death if you do not follow the instructions.



CAUTION: A CAUTION alerts you to the possibility of damage or destruction of equipment if you do not follow the corresponding instructions.



WARNING: Failure to read, thoroughly understand, and follow all instructions can result in serious personal injury, damage to equipment, or voiding of factory warranty! It is the installer's responsibility to make sure all components are properly assembled and installed using the instructions provided.

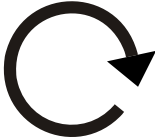

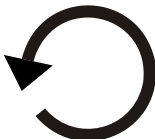











WARNING: Failure to provide adequate structural strength for this component can result in serious personal injury or damage to equipment! It is the installer's responsibility to make sure the structure to which this component is attached can support five times the combined weight of all equipment. Reinforce the structure as required before installing the component.



WARNING: Exceeding the weight capacity can result in serious personal injury or damage to equipment! DO NOT exceed the weight limitations of the CM7 mount being installed to the CM1TOCM7 adapter.

LEGEND

	<p>Tighten Fastener</p> <p>Apretar elemento de fijación</p> <p>Befestigungsteil festziehen</p> <p>Apertar fixador</p> <p>Serrare il fissaggio</p> <p>Bevestiging vastdraaien</p> <p>Serrez les fixations</p>		<p>Pencil Mark</p> <p>Marcar con lápiz</p> <p>Stiftmarkierung</p> <p>Marcar com lápis</p> <p>Segno a matita</p> <p>Potloodmerkteken</p> <p>Marquage au crayon</p>
	<p>Loosen Fastener</p> <p>Afajar elemento de fijación</p> <p>Befestigungsteil lösen</p> <p>Desapertar fixador</p> <p>Allentare il fissaggio</p> <p>Bevestiging losdraaien</p> <p>Desserrez les fixations</p>		<p>Drill Hole</p> <p>Perforar</p> <p>Bohrloch</p> <p>Fazer furo</p> <p>Praticare un foro</p> <p>Gat boren</p> <p>Percez un trou</p>
	<p>Phillips Screwdriver</p> <p>Destornillador Phillips</p> <p>Kreuzschlitzschraubendreher</p> <p>Chave de fendas Phillips</p> <p>Cacciavite a stella</p> <p>Kruiskopschroevendraaier</p> <p>Tournevis à pointe cruciforme</p>		<p>Socket Wrench</p> <p>Llave de cubo</p> <p>Llave de cubo</p> <p>Chave de caixa</p> <p>Chiave a brugola</p> <p>Dopsleutel</p> <p>Clé à douilles</p>
	<p>Open-Ended Wrench</p> <p>Llave de boca</p> <p>Gabelschlüssel</p> <p>Chave de bocas</p> <p>Chiave a punte aperte</p> <p>Steeksleutel</p> <p>Clé à fourche</p>		<p>Remove</p> <p>Quitar</p> <p>Entfernen</p> <p>Remover</p> <p>Rimuovere</p> <p>Verwijderen</p> <p>Retirez</p>
	<p>By Hand</p> <p>A mano</p> <p>Von Hand</p> <p>Com a mão</p> <p>A mano</p> <p>Met de hand</p> <p>À la main</p>		<p>Optional</p> <p>Opcional</p> <p>Optional</p> <p>Opcional</p> <p>Opzionale</p> <p>Optie</p> <p>En option</p>
	<p>Hex-Head Wrench</p> <p>Llave de cabeza hexagonal</p> <p>Sechskantschlüssel</p> <p>Chave de cabeça sextavada</p> <p>Chiave esagonale</p> <p>Zeskantsleutel</p> <p>Clé à tête hexagonale</p>		<p>Security Wrench</p> <p>Llave de seguridad</p> <p>Sicherheitsschlüssel</p> <p>Chave de segurança</p> <p>Chiave di sicurezza</p> <p>Veiligheidssleutel</p> <p>Clé de sécurité</p>

TOOLS REQUIRED FOR INSTALLATION AND PARTS

	<p>(included)</p>	<p>3/16"</p>	<p>5/16"</p>
		<p>B(6) M7 X 70</p>	<p>C(1) [M4 driver bit]</p>
<p>A(1) [CM1TOCM7 Plate]</p>			

CM1 Removal



WARNING: DISPLAY MAY WEIGH IN EXCESS OF 40 POUNDS. LIFTING IMPROPERLY OR DROPPING CAN LEAD TO SEVERE PERSONAL INJURY OR DAMAGE TO EQUIPMENT. ALWAYS use two people and proper lifting techniques when handling display.

1. Lift display up and away from CM1 mount to remove display from mount. (See Figure 1)

NOTE: Method for removal may vary if an interface bracket was used to mount display.

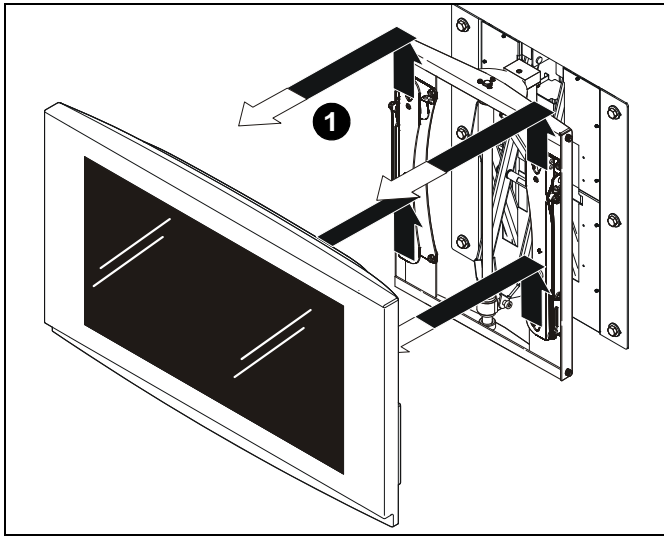


Figure 1



WARNING: MOUNT WEIGHS IN EXCESS OF 40 POUNDS. LIFTING IMPROPERLY OR DROPPING MOUNT CAN LEAD TO SEVERE PERSONAL INJURY OR DAMAGE TO EQUIPMENT. ALWAYS use two people and proper lifting techniques when handling mount.

2. Remove six 5/16" x 2 1/2" lag bolts and six 5/16" washers. (See Figure 2)

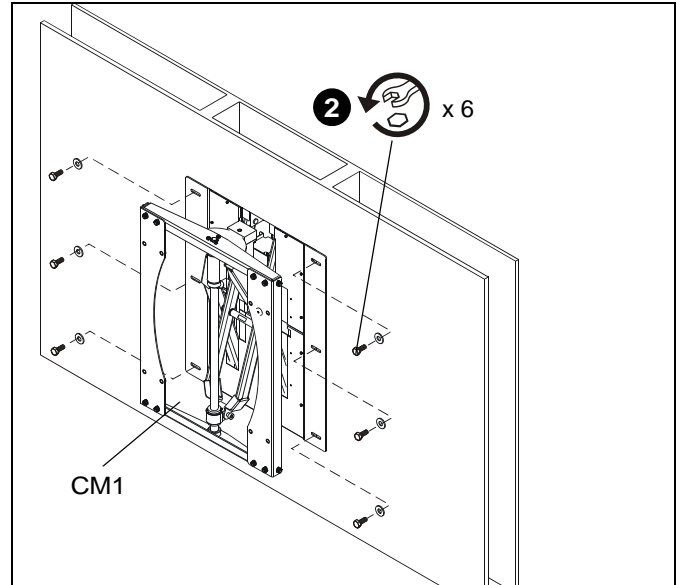


Figure 2

3. Remove CM1 mount from wall cavity. Properly discard CM1 mount after removal.

CM7 Installation

1. (Optional) Remove three removable cutouts on CM1TOCM7 adapter to allow for cable access to the wall. (See Figure 3)

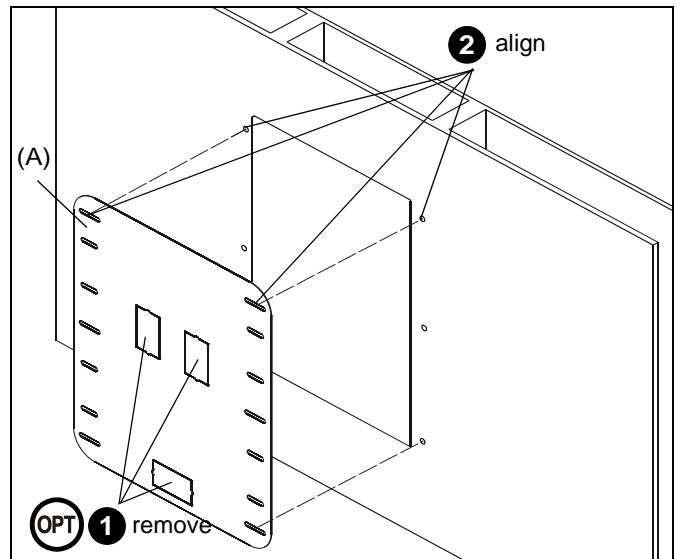


Figure 3

2. Place CM1TOCM7 adapter over rectangular hole in wall previously occupied by CM1 mount. Align upper and lower holes in adapter with the upper and lower holes on wall used to attach CM1 mount. (See Figure 3)
3. Install four 5/16" x 2 1/2" lag bolts and four 5/16" washers removed during CM1 removal through top and bottom holes of CM1TOCM7 adapter and into previously used holes. (See Figure 4)

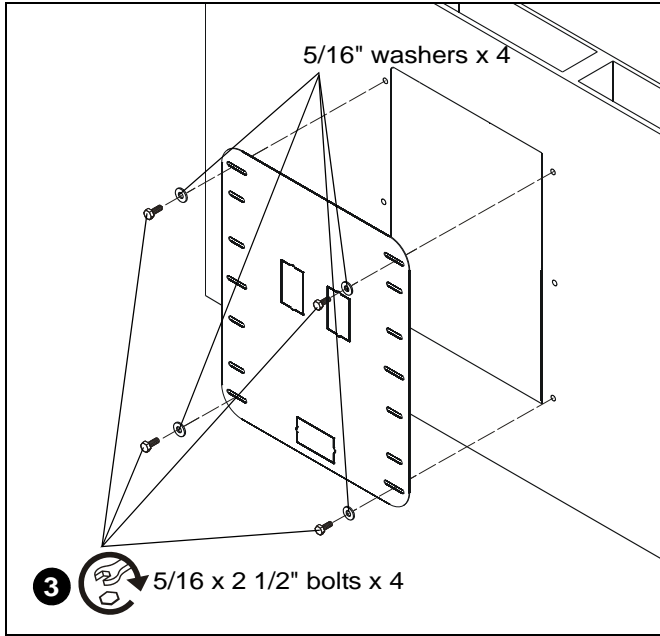


Figure 4

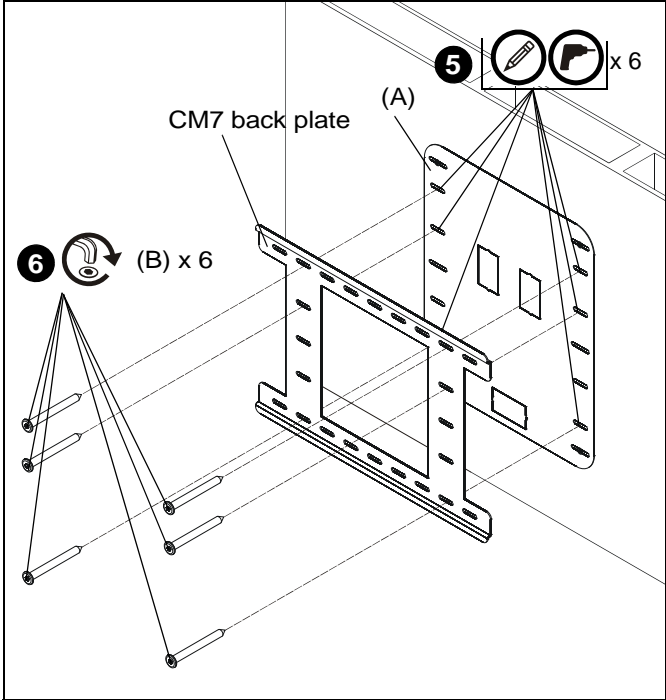


Figure 5

NOTE: Discard extra two bolts and washers that were not reused in Step #4.

4. Remove back plate from CM7 mount. First loosen the 2 security screws at the bottom, then lift the wall plate off the CM7.
5. Mark and drill six 3/16" holes in wall at the location of the second, third and sixth holes on each side of CM1TOCM7 adapter. (See Figure 5)
6. Use driver bit (C) to install six M7 x 70 Allen head connector screws (B) through CM7 wall plate, CM1TOCM7 adapter and into 3/16" holes in wall from Step #5. (See Figure 5)

7. Attach CM7 mount to CM7 wall plate according to instructions contained in CM7 installation manual.



Our Mounts. **Your Vision.**

Chief Manufacturing, a products division
of Milestone AV Technologies

8820-002001 REV 00
©2009 Milestone AV Technologies, a
Duchossios Group Company
www.chiefmfg.com
02/09

USA/International **A** 8401 Eagle Creek Parkway, Savage, MN 55378
 P 800.582.6480 / 952.894.6280
 F 877.894.6918 / 952.894.6918

Europe **A** Fellenoord 130 5611 ZB EINDHOVEN, The Netherlands
 P +31 (0)40 2668620
 F +31 (0)40 2668615

Asia Pacific **A** Room 24F, Block D, Lily YinDu International Building
 LuoGang, BuJi Town, Shenzhen, CHINA.
 P +86-755-8996 9226
 F +86-755-8996 9217

深圳市布吉罗岗村百合银都国际大厦D栋24F

