

OPERATING INSTRUCTIONS

CM2L40 AUTOMATED DISPLAY LIFT



WARNING: IMPROPER USE CAN LEAD TO EQUIPMENT FAILURE CAUSING SERIOUS PERSONAL INJURY AND DAMAGE TO EQUIPMENT! There are NO user servicable parts within the CM2 lift. If lift fails to operate properly immediately contact a Chief Customer Services Representative.



CAUTION: ONE END OF POWER CORD MUST REMAIN ACCESSIBLE AT ALL TIMES! DO NOT block or impede access to plug at any time!

- Press button **3** on remote to raise the display.
- Press button **7** on remote to lower the display.

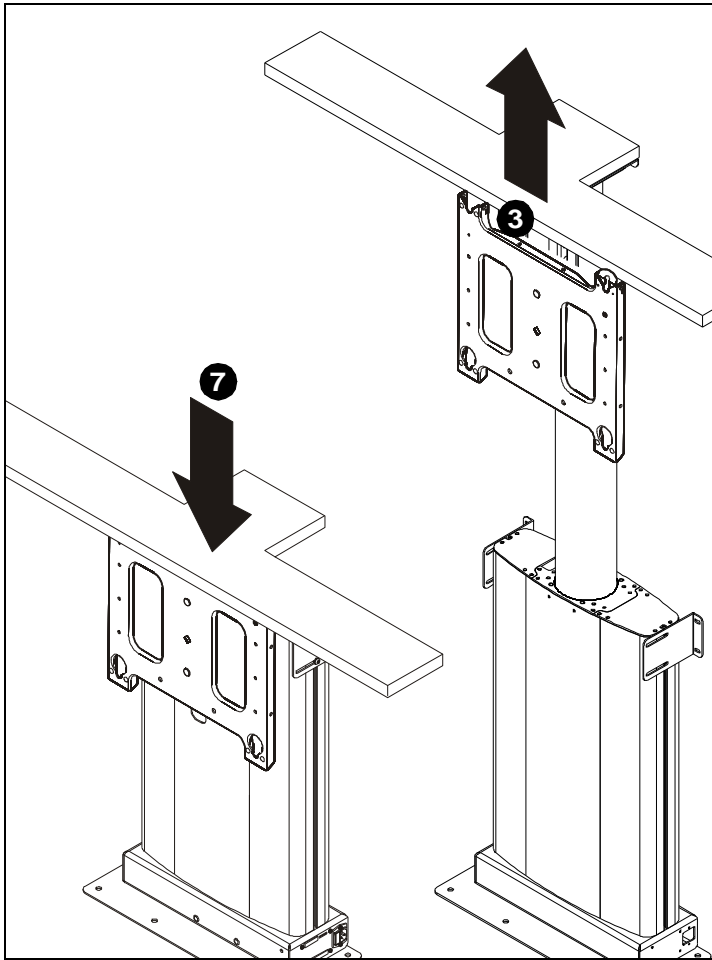
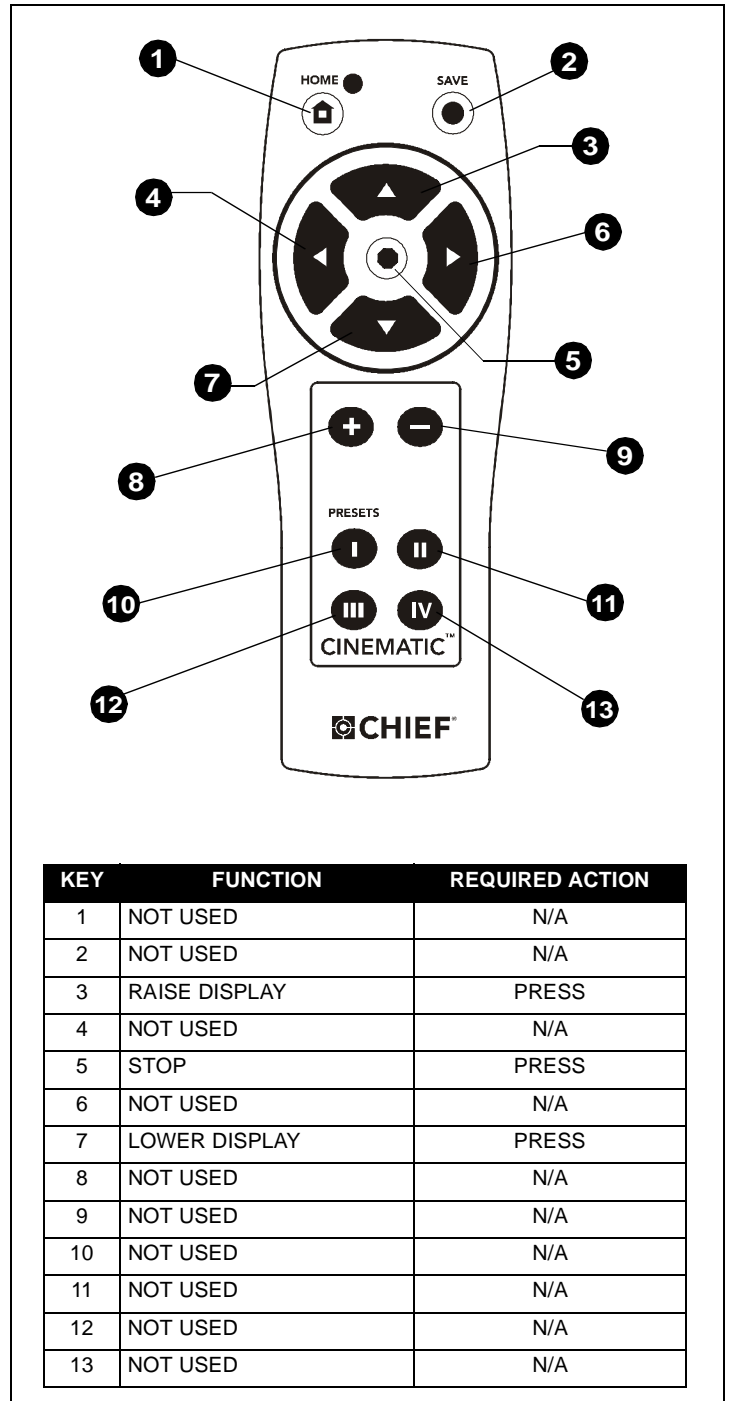


Figure 1

Normal Operating Mode



KEY	FUNCTION	REQUIRED ACTION
1	NOT USED	N/A
2	NOT USED	N/A
3	RAISE DISPLAY	PRESS
4	NOT USED	N/A
5	STOP	PRESS
6	NOT USED	N/A
7	LOWER DISPLAY	PRESS
8	NOT USED	N/A
9	NOT USED	N/A
10	NOT USED	N/A
11	NOT USED	N/A
12	NOT USED	N/A
13	NOT USED	N/A

Figure 2

Milestone AV Technologies, and its affiliated corporations and subsidiaries (collectively, "Milestone"), intend to make this manual accurate and complete. However, Milestone makes no claim that the information contained herein covers all details, conditions or variations, nor does it provide for every possible contingency in connection with the installation or use of this product. The information contained in this document is subject to change without notice or obligation of any kind. Milestone makes no representation of warranty, expressed or implied, regarding the information contained herein. Milestone assumes no responsibility for accuracy, completeness or sufficiency of the information contained in this document.