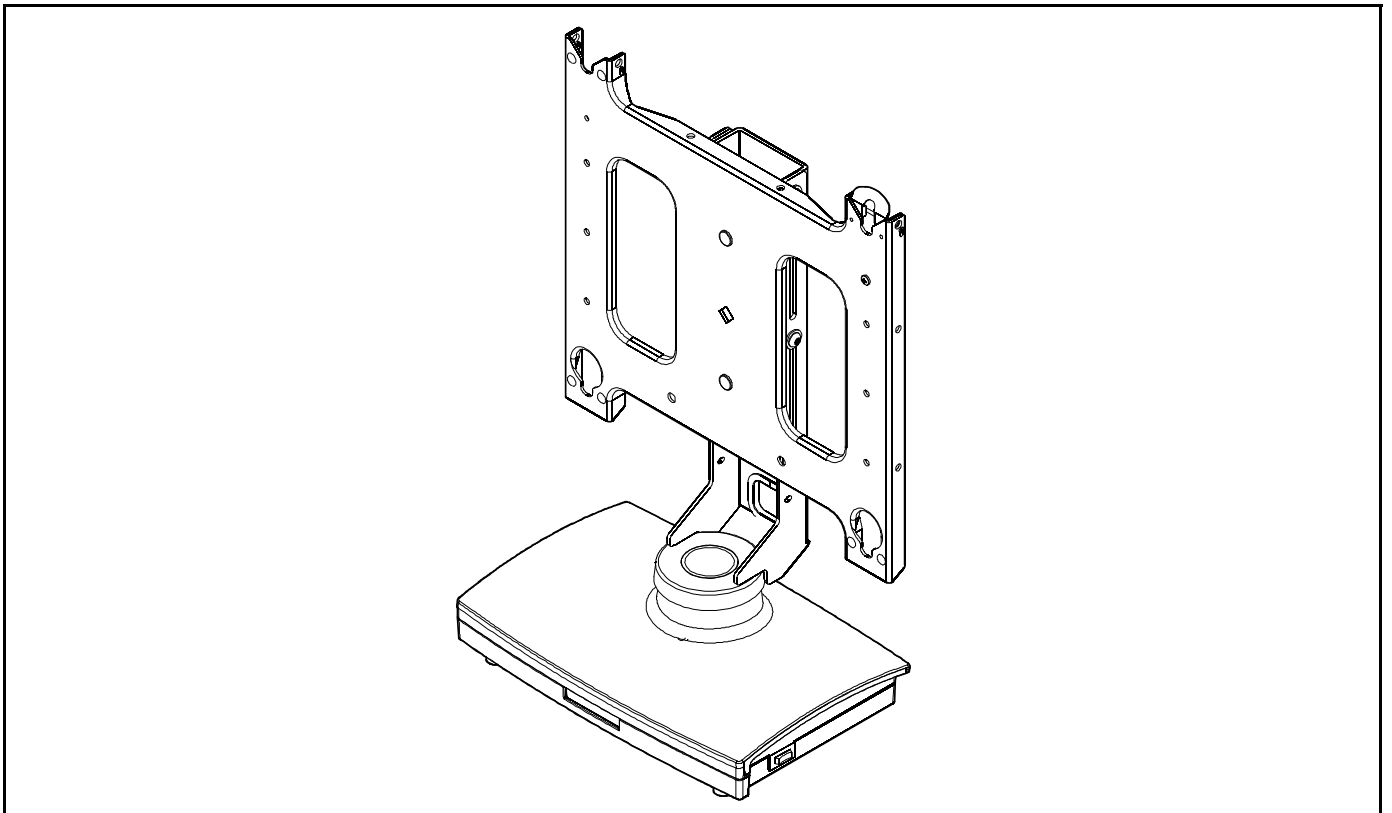


INSTALLATION INSTRUCTIONS

Instrucciones de instalación
Installationsanleitung
Instruções de Instalação

Istruzioni di installazione
Installatie-instructies
Instructions d'installation



Cinematic™ Automated Table Stand

This device complies with part 15 of the FCC rules. Operation is subject to the following 2 conditions: (1) This device may not cause harmful interference, and (2) this device must accept any interference received, including interference that may cause undesired operation.

This equipment has been tested and found to comply with the limits of a Class B digital device, pursuant to Part 15 of the FCC rules. These limits are designed to provide reasonable protection against harmful interference in a residential installation. This equipment generates, uses and can radiate radio frequency energy, and if not installed and used in accordance with the instructions, may cause harmful interference to radio or television communications. However, there is no guarantee that the interference will not occur in a particular installation. If this equipment does cause harmful interference to radio or television reception, which can be determined by turning the equipment off and on, the user is encouraged to try to correct the interference by one of the following measures:

- Reorient or relocate the receiving antenna
- Increase the separation between the equipment and receiver
- Connect the equipment to an outlet on a circuit other than that to which the receiver is connected
- Consult the dealer or an experienced radio/TV technician for help

**IMPORTANT WARNINGS AND CAUTIONS!**

The Alert messages **DANGER**, **WARNING**, **CAUTION**, **IMPORTANT**, and **NOTE** are used throughout these instructions and on the product to alert the reader and/or operator of the existence of dangerous situations, conditions and/or important operational and maintenance information.

"SAVE THESE INSTRUCTIONS"

WARNING: WARNING alerts you to the possibility of serious injury or death if you do not follow the instructions.



CAUTION: A CAUTION alerts you to the possibility of damage or destruction of equipment if you do not follow the corresponding instructions.



WARNING: FAILURE TO READ AND FOLLOW THE FOLLOWING INSTRUCTIONS CAN RESULT IN SERIOUS PERSONAL INJURY, DAMAGE TO EQUIPMENT OR VOIDING OF FACTORY WARRANTY. It is the installer's responsibility to make sure all components are properly assembled and installed using the instructions provided. **Read all instructions before using this furnishing.**



DANGER: TO REDUCE THE RISK OF ELECTRIC SHOCK:

- ALWAYS unplug this furnishing from the electrical outlet before cleaning.



WARNING: TO REDUCE THE RISK OF BURNS, FIRE, ELECTRIC SHOCK, OR INJURY TO PERSONS:

- Unplug from outlet before putting on or taking off parts.
- Close supervision is necessary when this furnishing is being used by, or near, children, invalids, or disabled persons.
- Use this furnishing only for its intended use as directed in these instructions. DO NOT use attachments not recommended by the manufacturer.
- NEVER operate this furnishing if it has a damaged cord or plug, if it is not working properly, if it has been dropped or damaged, or dropped into water. Return the furnishing to a service center for examination and repair.
- Keep the cord away from heated surfaces.
- NEVER operate the furnishing with the air openings blocked. Keep the air openings free of lint, and the like.
- NEVER drop or insert anything into any opening.
- DO NOT use outdoors.
- DO NOT operate where aerosol (spray) products are being used, or where oxygen is being administered.
- To disconnect, turn all controls to the off position, then remove plug from outlet.



WARNING: RISK OF ELECTRICAL SHOCK! Connect this device to a properly grounded outlet only.

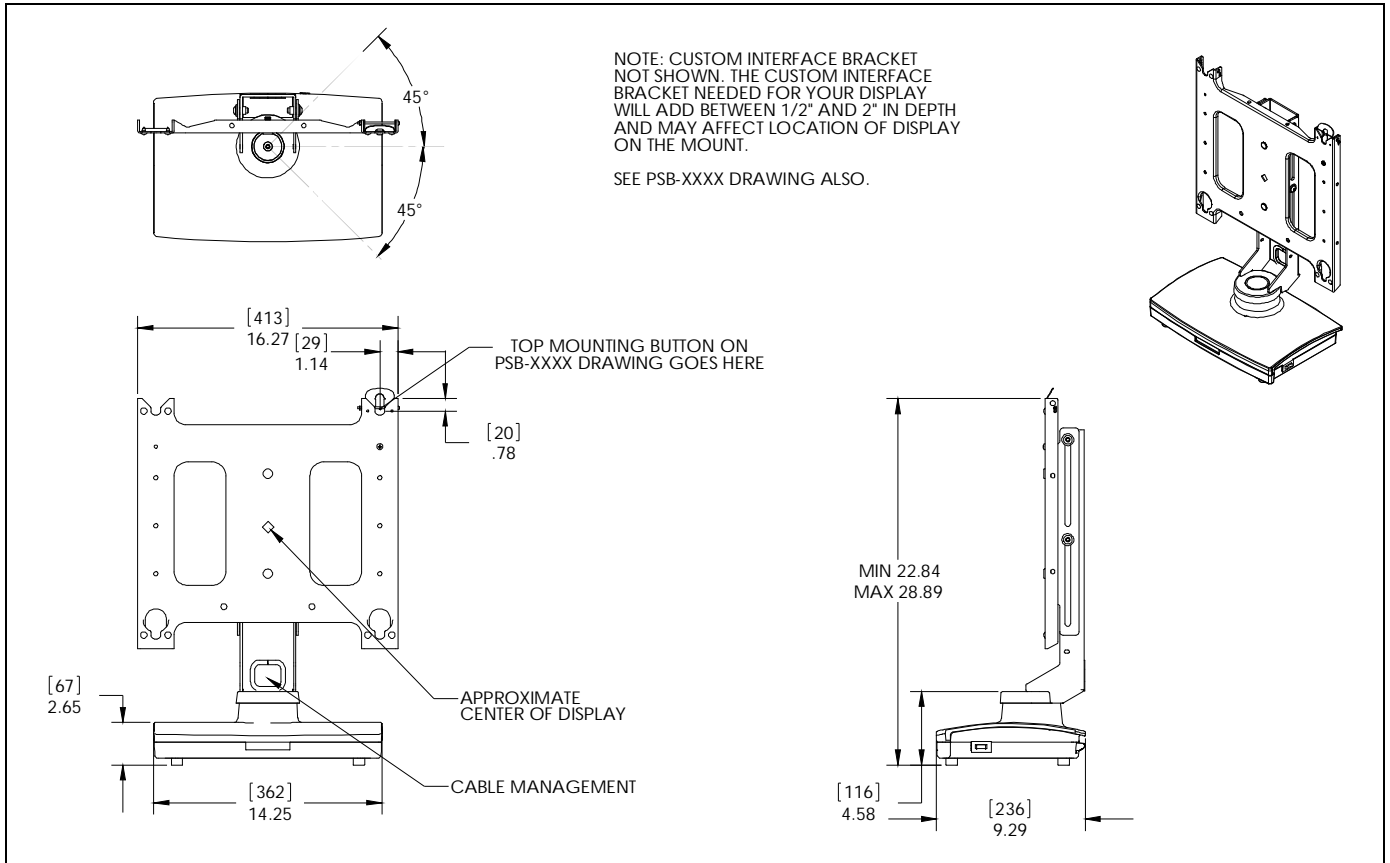


CAUTION: ONE END OF POWER CORD MUST REMAIN ACCESSIBLE AT ALL TIMES! DO NOT block or impede access to plug at any time!





CAUTION: Changes or modifications to this unit not expressly approved by the manufacturer can void the units FCC compliance rating and make the unit illegal to operate.


DIMENSIONS





LEGEND

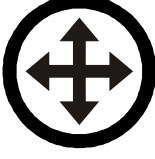
	Tighten Fastener
	Apretar elemento de fijación
	Befestigungsteil festziehen
	Apertar fixador
	Serrare il fissaggio
	Bevestiging vastdraaien
	Serrez les fixations


	Pencil Mark
	Marcar con lápiz
	Stiftmarkierung
	Marcar com lápis
	Segno a matita
	Potloodmerkteken
	Marquage au crayon


	Loosen Fastener
	Aflojar elemento de fijación
	Befestigungsteil lösen
	Desapertar fixador
	Allentare il fissaggio
	Bevestiging losdraaien
	Desserrez les fixations


	Drill Hole
	Perforar
	Bohrloch
	Fazer furo
	Praticare un foro
	Gat boren
	Percez un trou


	Phillips Screwdriver
	Destornillador Phillips
	Kreuzschlitzschraubendreher
	Chave de fendas Phillips
	Cacciavite a stella
	Kruiskopschroevendraaier
	Tournevis à pointe cruciforme

	Adjust
	Ajustar
	Einstellen
	Ajustar
	Regolare
	Afstellen
	Ajuster

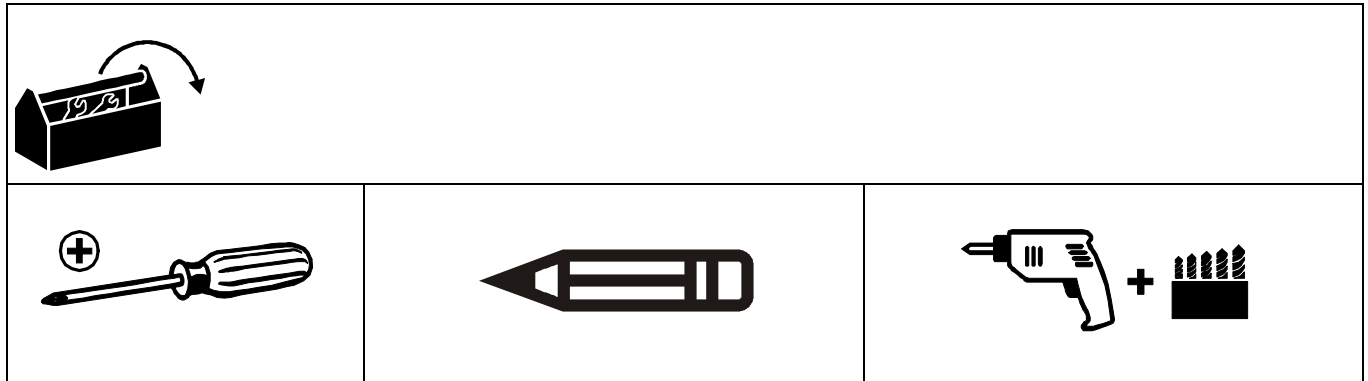
	Open-Ended Wrench
	Llave de boca
	Gabelschlüssel
	Chave de bocas
	Chiave a punta aperte
	Stecksleutel
	Clé à fourche

	Remove
	Quitar
	Entfernen
	Remover
	Rimuovere
	Verwijderen
	Retirez

	Hex-Head Wrench
	Llave de cabeza hexagonal
	Sechskantschlüssel
	Chave de cabeça sextavada
	Chiave esagonale
	Zeskantsleutel
	Clé à tête hexagonale

	Optional
	Opcional
	Optional
	Opcional
	Opzionale
	Optie
	En option

TOOLS REQUIRED FOR INSTALLATION



PARTS

Unpack carton, inspect and verify contents. Read installation instructions completely. If any listed parts are missing, immediately contact a Chief Customer Service representative by calling 1-800-582-6480, or by visiting www.chiefmfg.com.

Table 1: Parts

Item	Description	Qty
10	CM3 Assembly	1
20	CORD, Power Supply, (provided but not shown) CORD, Power Supply, 100-240VAC (provided but not shown)	2
30	CONVERTER, Power Supply (provided but not shown)	1
40	CONTROL, Remote	1

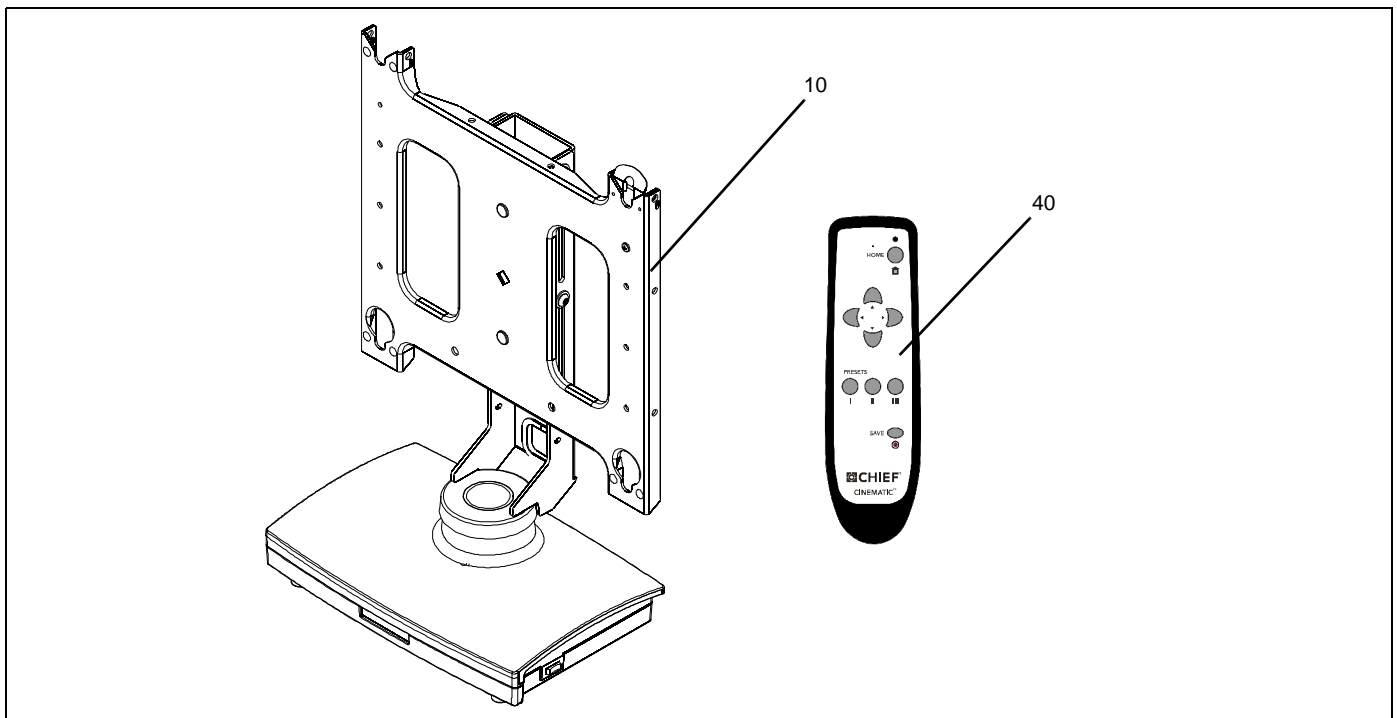
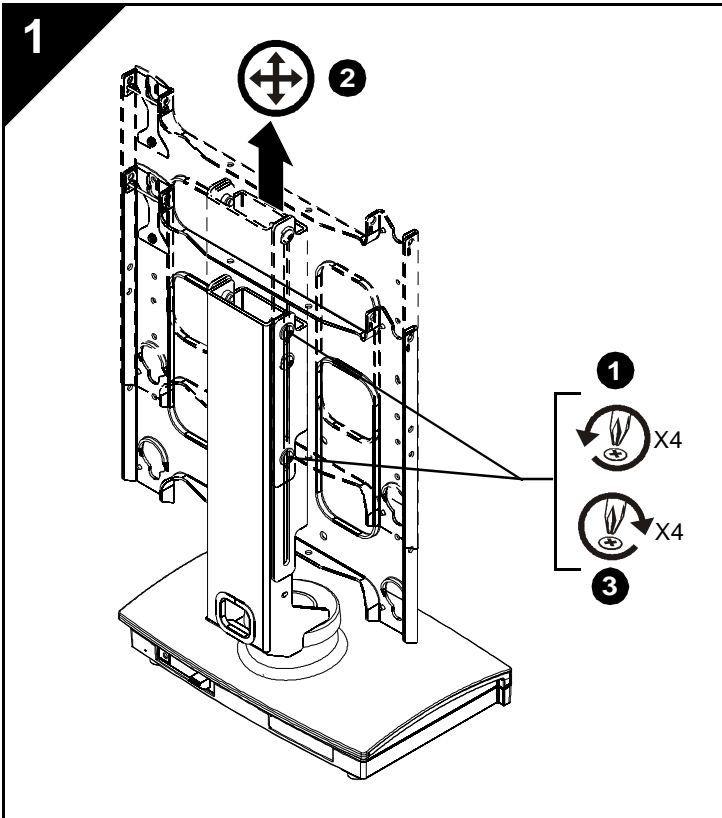


Figure 1

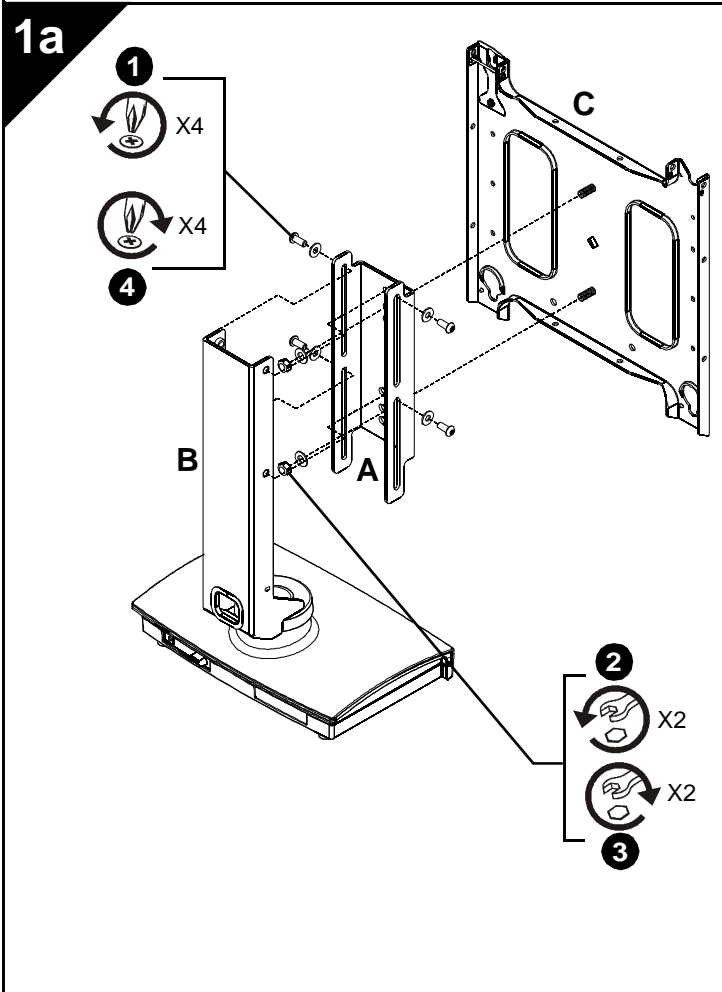


Mount Preparation

NOTE: The CM3 comes pre-configured for displays 30" in height or less. If a display with a height of over 30" is being installed follow the instructions in **1a** below.

Display Height of 30 inches or Smaller:

1. Loosen four 5/16-18 x 3/4" height adjustment screws.
2. Raise slide to the maximum height.
3. Secure slide by tightening four 5/16-18 x 3/4" height adjustment screws.



Mount Preparation

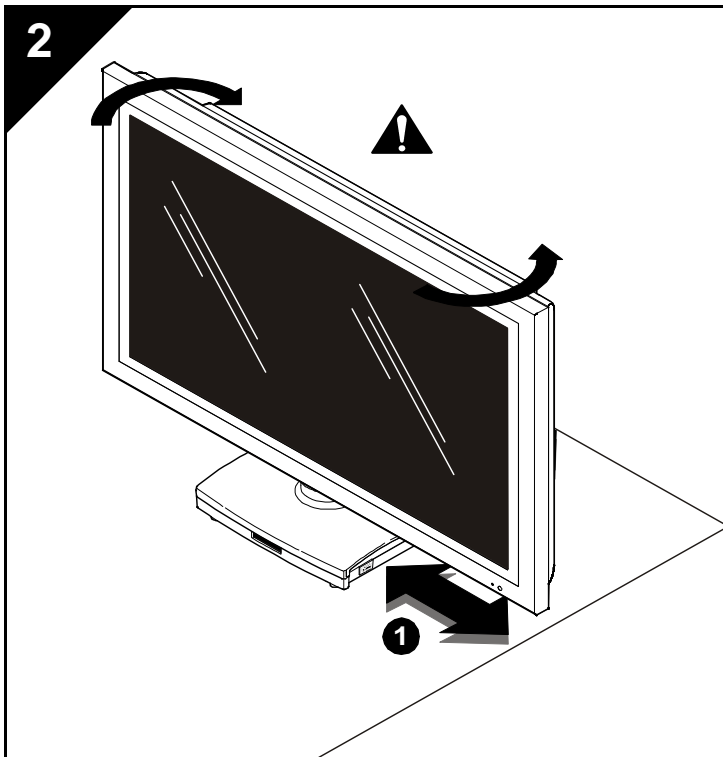
Display height greater than 30 inches:

1. Remove slide **A** from base **B** by removing four 5/16-18 x 3/4" button head cap screws, and four 1/4" flat washers.
2. Remove face plate **C** from slide by removing two 3/8" flat washers, and two 3/8-16 lock nuts.
3. Install face plate into upper mounting holes of slide using two 3/8" flat washers, and two 3/8-16 lock nuts.
4. Install slide onto base using four 5/16-18 x 3/4" button head cap screws, and four 1/4" flat washers.

NOTE: DO NOT fully tighten slide mounting screws at this time.

5. Raise slide to maximum height.
6. Tightening four height 5/16-18 x 3/4" height adjustment screws.

INSTALLATION



Site Preparation



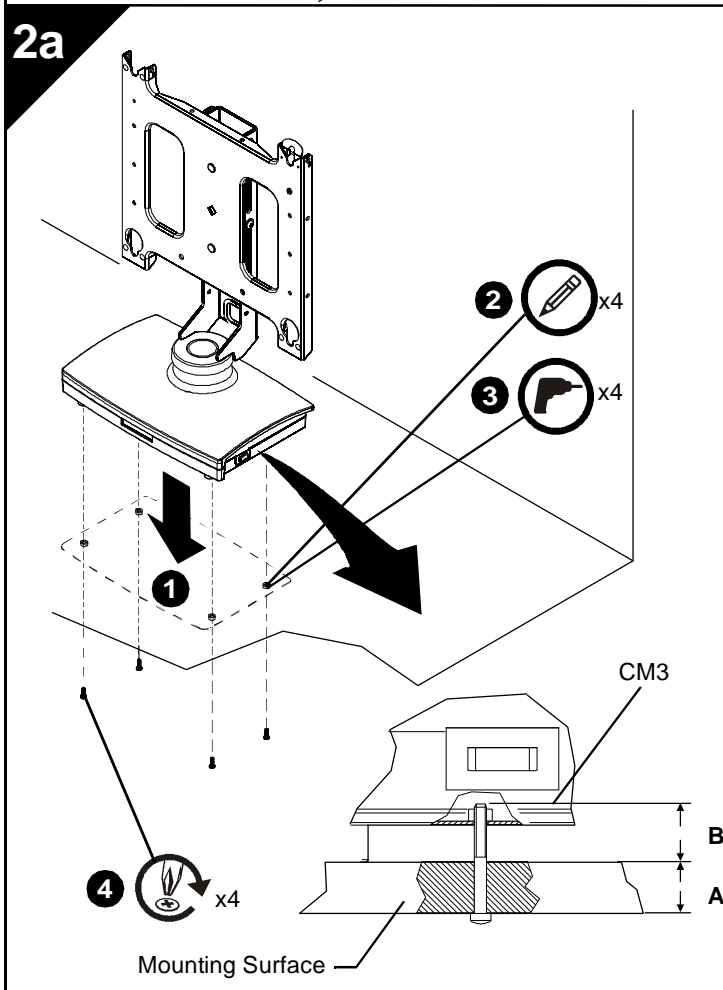
WARNING: EXCEEDING WEIGHT CAPACITY CAN RESULT IN SERIOUS PERSONAL INJURY OR DAMAGE TO EQUIPMENT! It is the installer's responsibility to make sure the combined weight of all components does not exceed 125 lbs (57 kg).

1. Locate a flat dry surface on which to mount the CM3 assembly.



CAUTION: TURNING DISPLAY CAN CAUSE DAMAGE TO SURROUNDING OBJECTS. Make certain location provides enough area for the display to rotate $\pm 45^\circ$ without being obstructed. To prepare site:

NOTE: The CM3 is shipped with the display travel set at the maximum of 45° . Display travel can be adjusted if installation location warrants. (see Display Stop Location Adjustment on page 11)



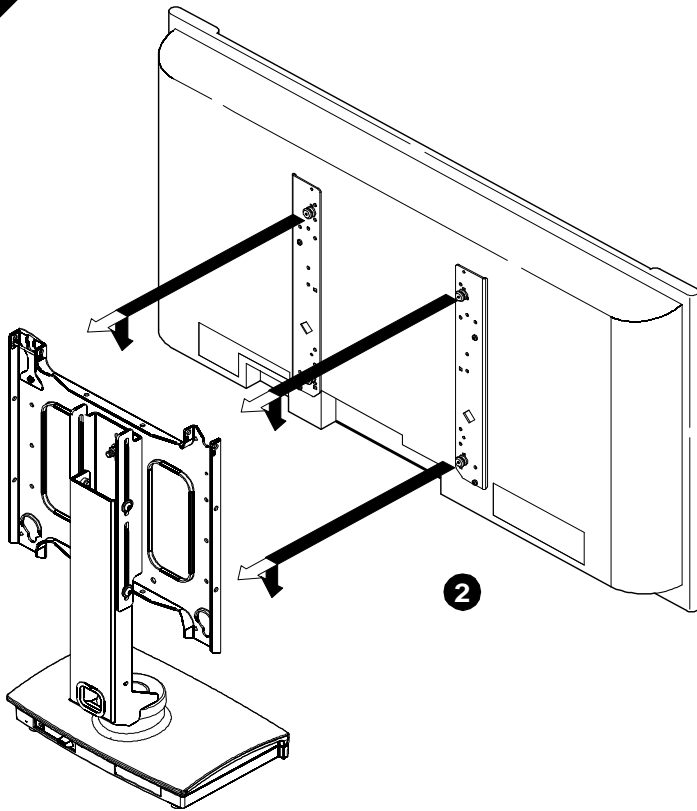
Installation

To install mount:

1. Lay mounting pattern template provided onto desired location and secure in place.
2. Mark four mounting hole locations on mounting on surface.
3. Drill four 1/4" dia. (6.35mm) holes through mounting surface at marks.
4. Secure mount to mounting surface using four 1/4-20 Phillips head cap screws with a length equal to the thickness of the mounting surface **A** plus 3/4" **B**. (see detail in figure 2a at left)

NOTE: Security screws may also be used in step 5.

2b



Display Installation

The following procedure assumes that the proper interface bracket for the display being mounted has already been installed on the display.

If no interface bracket is present on display, install bracket to display using the instructions included with the interface bracket before proceeding.

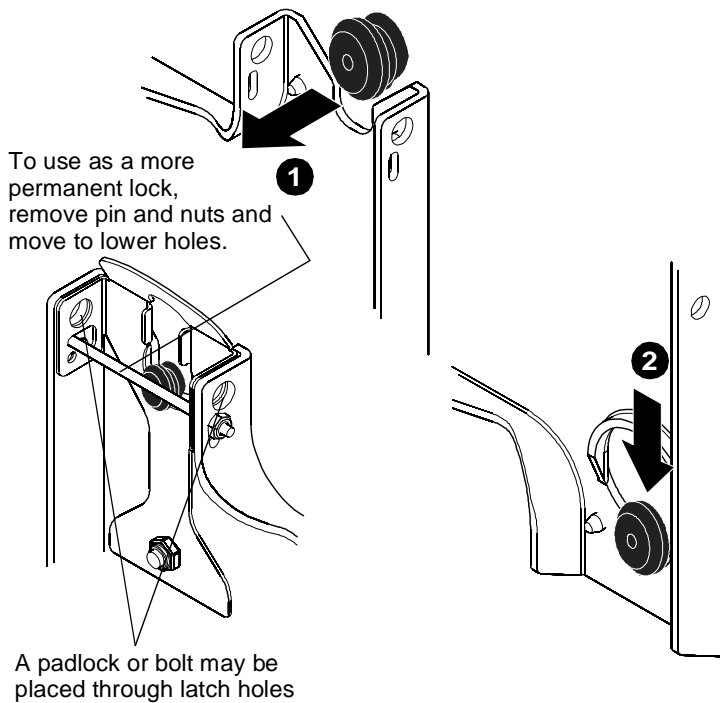
If an interface bracket for the display being mounted needs to be obtained, or additional assistance is required, contact a Chief Customer Service representative by calling 1-800-582-6480 or by visiting www.chiefmfg.com.

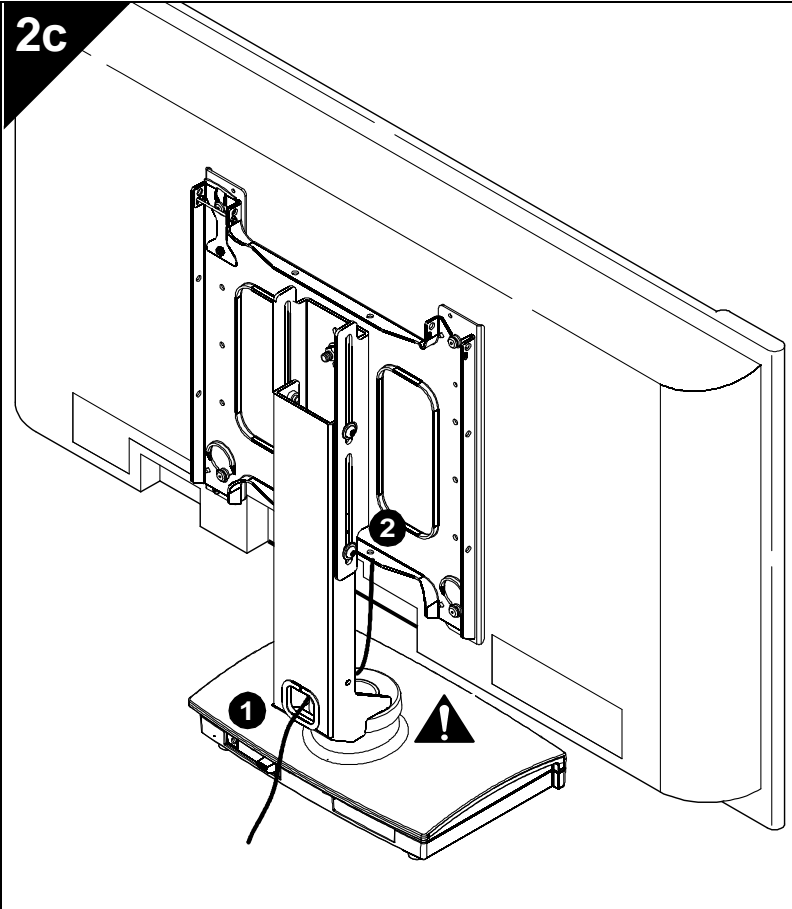
NOTE: If the display being mounted has a height of more than 30" the mount needs to be modified prior to display installation.
(See "Display Height Greater Than 24" above)

To install the display:

1. While supporting both sides of display, align four mounting buttons on display or interface bracket with four mounting holes in faceplate.
2. Lower display into place listening for audible "click" to ensure recessed area of mounting buttons are properly seated in lower area of mounting holes and ClickConnect mechanism has engaged.

NOTE: Holes are provided in the faceplate for use with a padlock or similar locking device, if desired. In addition, the pin and nut may be removed from the upper holes and moved to the lower holes for use as a more permanent locking device.

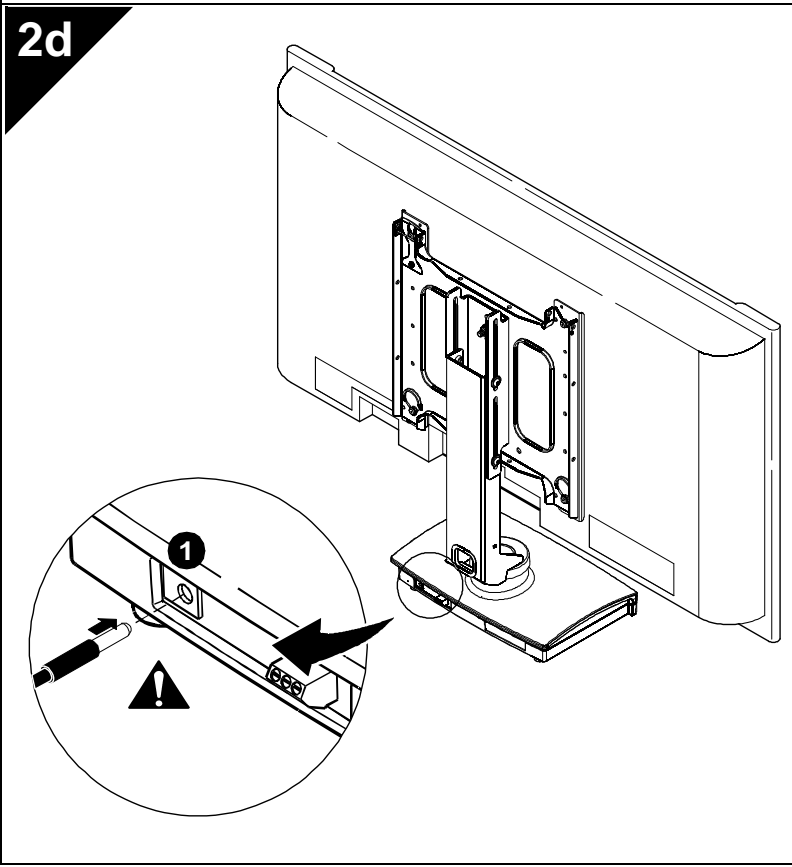




Cable Routing And Management

⚠ WARNING: ELECTRICAL SHOCK HAZARD!
Improper routing can lead to wires or cables being damaged. Make certain display power cable is not routed through areas where it can be pinched or cut.

1. Route display cables and wiring through cable management hole in base as shown in figure 2C at left.
2. Connect wires and cables to display.



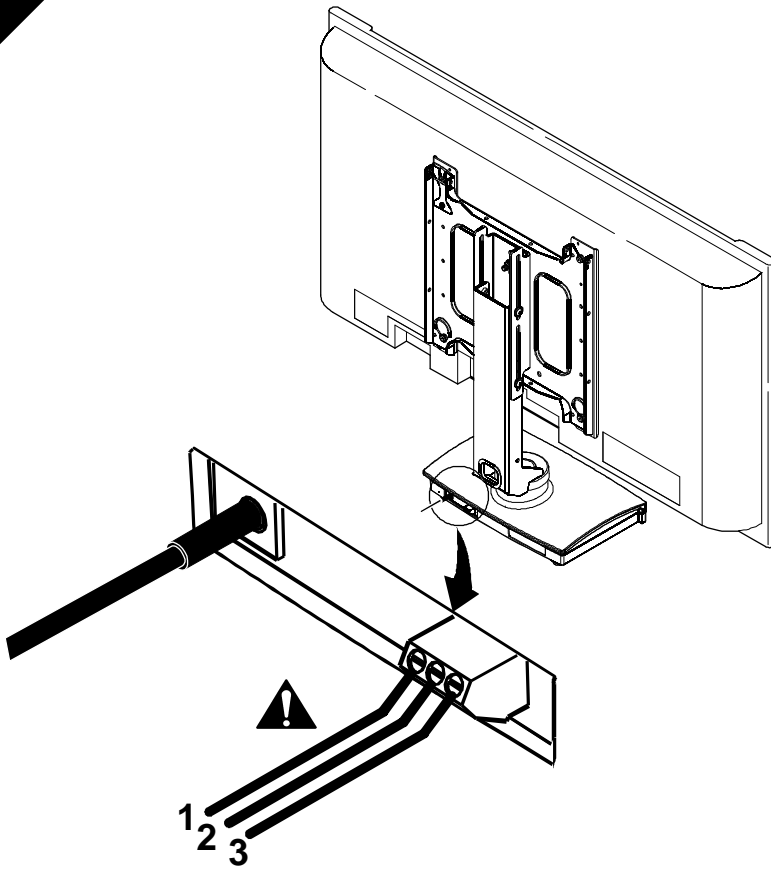
Connect To Power Supply

⚠ WARNING: ELECTRICAL SHOCK HAZARD!
Improper routing can lead to wires or cables being damaged. Make certain cable is not routed through areas where it can be pinched or cut.

1. Connect power supply cable to CM3 as shown in figure 2d at left.
2. Connect power supply cable to power source.

⚠ CAUTION: MOUNT IS **ON** AS LONG AS POWER SUPPLY CABLE IS CONNECTED TO POWER SOURCE.

3



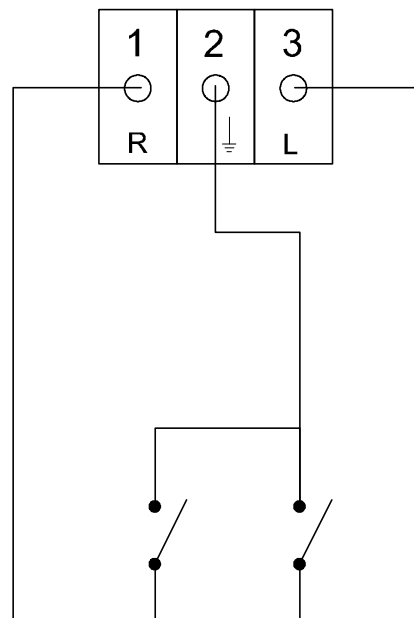
External Control Connections

The CM3 also provides for the mount to be operated from locations beyond the effective range of the remote control. Terminals located on the back panel allow for the wiring of Momentary Dry Contact Closures.

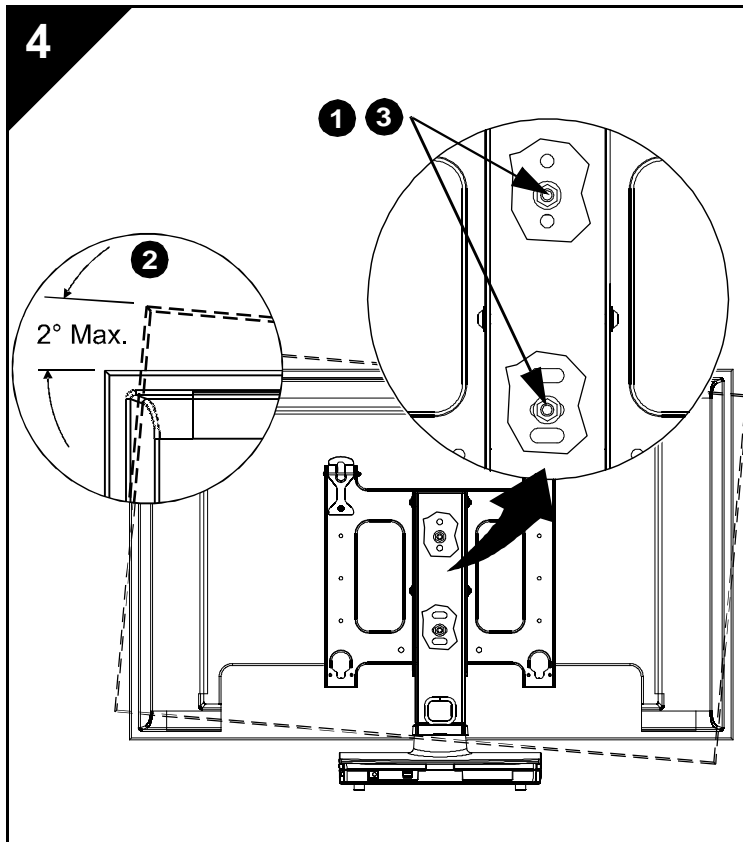
These terminals can be used with any momentary contacts, or a wall switch.

NOTE: The connection between the ground (#2 in figure 3 at left) and any other terminal connection must be broken (open) before completing the next circuit.

1. Connect the common wire from your switch to terminal #2. (see Figure 3 at left)
2. Connect the "RIGHT" wire from your switch to terminal #1.(see Figure 3 at left)
3. Connect the "Left" wire from your switch to terminal #3. (see Figure 3 at left)



ADJUSTMENTS

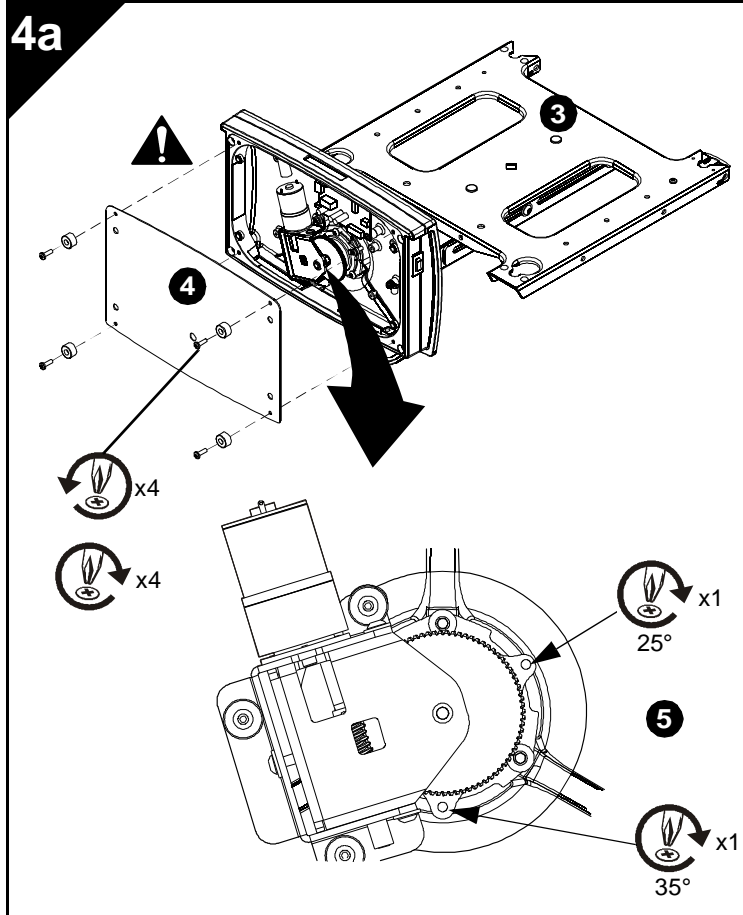


Display Roll Adjustment

The CM3 provides limited display roll adjustment for the purpose of leveling the display.

To level the display:

1. Loosen upper and lower roll adjustment nuts.
2. Level display.
3. Tighten roll adjustment nuts.



Display Stop Location Adjustment



WARNING: ELECTRICAL SHOCK HAZARD! The following procedure requires the removal of the bottom cover. Make certain power cable has been disconnected before removing bottom cover.

The CM3 allows for the installation of swivel stops that limit the amount of display travel. Stops can be installed at +/- 25 or 35 degrees.

To install swivel stops:

1. Disconnect power from mount. (see Connect To Power Supply on page 9)
2. Disconnect wires and cables from display and remove display from mount. (see Display Installation on page 8)
3. Lay mount on back.
4. Remove four screws securing bottom cover and set aside for reuse.
5. Insert one 10-24 X 1/2" Phillips head cap screw in one of the two swivel stop holes (25 or 35 degrees) in the base of the stand.



Our Mounts. **Your Vision.**

Chief Manufacturing, a division of
Milestone AV Technologies

8820-000040

©2008 Milestone AV Technologies

www.chiefmfg.com

10/08

USA/International **A** 8401 Eagle Creek Parkway, Savage, MN 55378
 P 800.582.6480 / 952.894.6280

F 877.894.6918 / 952.894.6918

Europe **A** Fellenoord 130 5611 ZB EINDHOVEN, The Netherlands

P +31 (0)40 2668620

F +31 (0)40 2668615

Asia Pacific **A** Room 24F, Block D, Lily YinDu International Building
 LuoGang, BuJi Town, Shenzhen, CHINA.

深圳市布吉罗岗村百合银都国际大厦D栋24F

P +86-755-8996 9226

F +86-755-8996 9217

