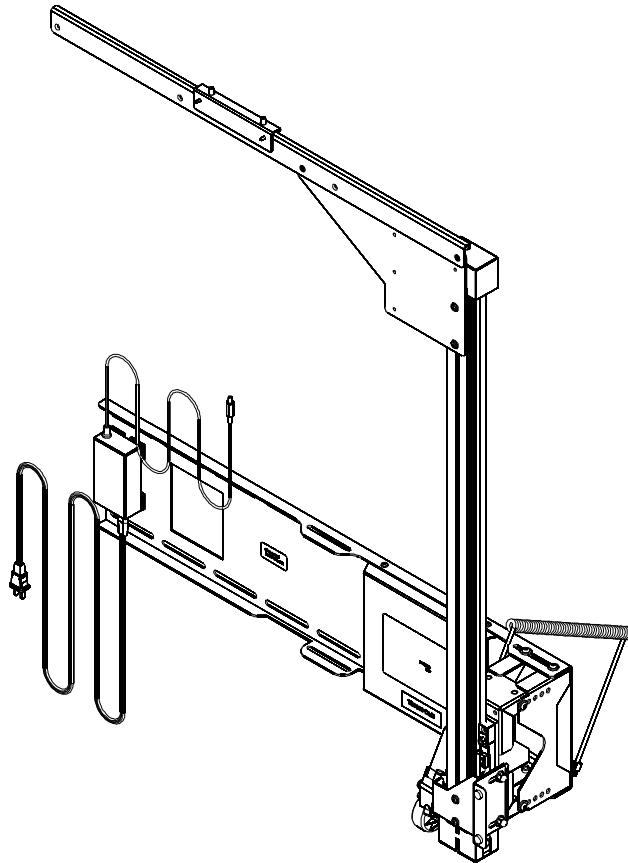


INSTALLATION INSTRUCTIONS



Art Over TV

This device complies with part 15 of the FCC rules. Operation is subject to the following 2 conditions: (1) This device may not cause harmful interference, and (2) this device must accept any interference received, including interference that may cause undesired operation.

This equipment has been tested and found to comply with the limits of a Class B digital device, pursuant to Part 15 of the FCC rules. These limits are designed to provide reasonable protection against harmful interference in a residential installation. This equipment generates, uses and can radiate radio frequency energy, and if not installed and used in accordance with the instructions, may cause harmful interference to radio or television communications. However, there is no guarantee that the interference will not occur in a particular installation. If this equipment does cause harmful interference to radio or television reception, which can be determined by turning the equipment off and on, the user is encouraged to try to correct the interference by one of the following measures:

- Reorient or relocate the receiving antenna
- Increase the separation between the equipment and receiver
- Connect the equipment to an outlet on a circuit other than that to which the receiver is connected

Consult the dealer or an experienced radio/TV technician for help

Milestone AV Technologies, Inc., and its affiliated corporations and subsidiaries (collectively, "Milestone"), intend to make this manual accurate and complete. However, Milestone makes no claim that the information contained herein covers all details, conditions or variations, nor does it provide for every possible contingency in connection with the installation or use of this product. The information contained in this document is subject to change without notice or obligation of any kind. Milestone makes no representation of warranty, expressed or implied, regarding the information contained herein. Milestone assumes no responsibility for accuracy, completeness or sufficiency of the information contained in this document.

Chief® is a registered trademark of Milestone AV Technologies. All rights reserved.



IMPORTANT WARNINGS AND CAUTIONS!

The Alert messages **DANGER**, **WARNING**, **CAUTION**, **IMPORTANT**, and **NOTE** are used throughout these instructions and on the product to alert the reader and/or operator of the existence of dangerous situations, conditions and/or important operational and maintenance information.

"SAVE THESE INSTRUCTIONS"



WARNING: WARNING alerts you to the possibility of serious injury or death if you do not follow the instructions.



CAUTION: A CAUTION alerts you to the possibility of damage or destruction of equipment if you do not follow the corresponding instructions.



WARNING: FAILURE TO READ AND FOLLOW THE FOLLOWING INSTRUCTIONS CAN RESULT IN SERIOUS PERSONAL INJURY, DAMAGE TO EQUIPMENT OR VOIDING OF FACTORY WARRANTY. It is the installer's responsibility to make sure all components are properly assembled and installed using the instructions provided. Read all instructions before using this furnishing.



DANGER: TO REDUCE THE RISK OF ELECTRIC SHOCK:

- ALWAYS unplug this furnishing from the electrical outlet before cleaning.



WARNING: TO REDUCE THE RISK OF BURNS, FIRE, ELECTRIC SHOCK, OR INJURY TO PERSONS:

- Unplug from outlet before putting on or taking off parts.
- Close supervision is necessary when this furnishing is being used by, or near, children, invalids, or disabled persons.
- Use this furnishing only for its intended use as directed in these instructions. DO NOT use attachments not recommended by the manufacturer.
- NEVER operate this furnishing if it has a damaged cord or plug, if it is not working properly, if it has been dropped or damaged, or dropped into water. Return the furnishing to a service center for examination and repair.
- Keep the cord away from heated surfaces.
- NEVER operate the furnishing with the air openings blocked. Keep the air openings free of lint, and the like.
- NEVER drop or insert anything into any opening.
- DO NOT use outdoors.
- DO NOT operate where aerosol (spray) products are being used, or where oxygen is being administered.
- To disconnect, turn all controls to the off position, then remove plug from outlet.



WARNING: RISK OF ELECTRICAL SHOCK! Connect this device to a properly grounded outlet only.

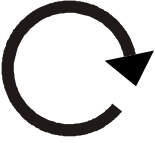



CAUTION: ONE END OF POWER CORD MUST REMAIN ACCESSIBLE AT ALL TIMES! DO NOT block or impede access to plug at any time!





CAUTION: Changes or modifications to this unit not expressly approved by the manufacturer can void the units FCC compliance rating and make the unit illegal to operate.


LEGEND


	Tighten Fastener
	Apretar elemento de fijación
	Befestigungsteil festziehen
	Apertar fixador
	Serrare il fissaggio
	Bevestiging vastdraaien
	Serrez les fixations

	Loosen Fastener
	Aflojar elemento de fijación
	Befestigungsteil lösen
	Desapertar fixador
	Allentare il fissaggio
	Bevestiging losdraaien
	Desserrez les fixations


	Phillips Screwdriver
	Destornillador Phillips
	Kreuzschlitzschraubendreher
	Chave de fendas Phillips
	Cacciavite a stella
	Kruiskopschroevendraaier
	Tournevis à pointe cruciforme

	Open-Ended Wrench
	Llave de boca
	Gabelschlüssel
	Chave de bocas
	Chiave a punte aperte
	Steeksleutel
	Clé à fourche

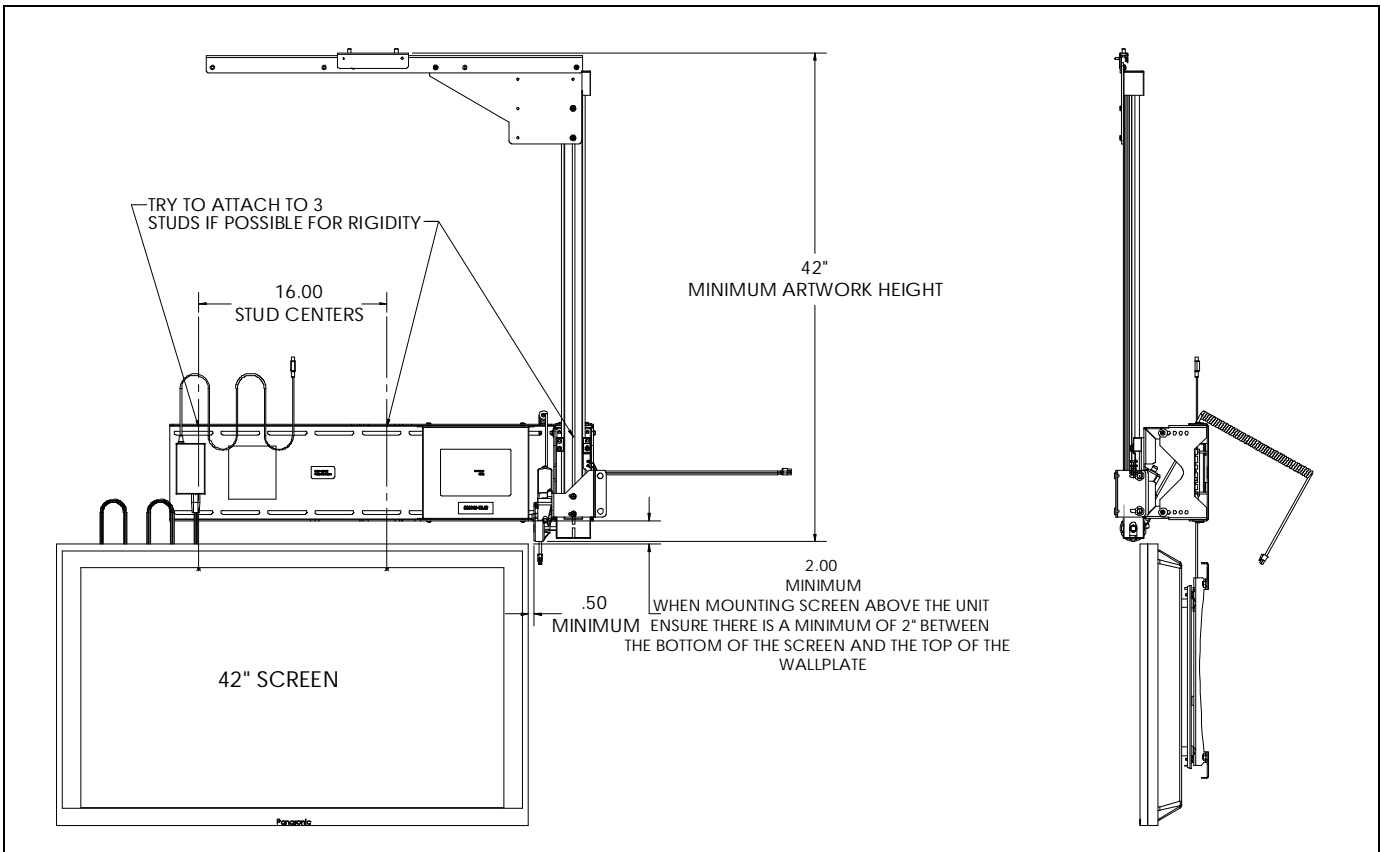
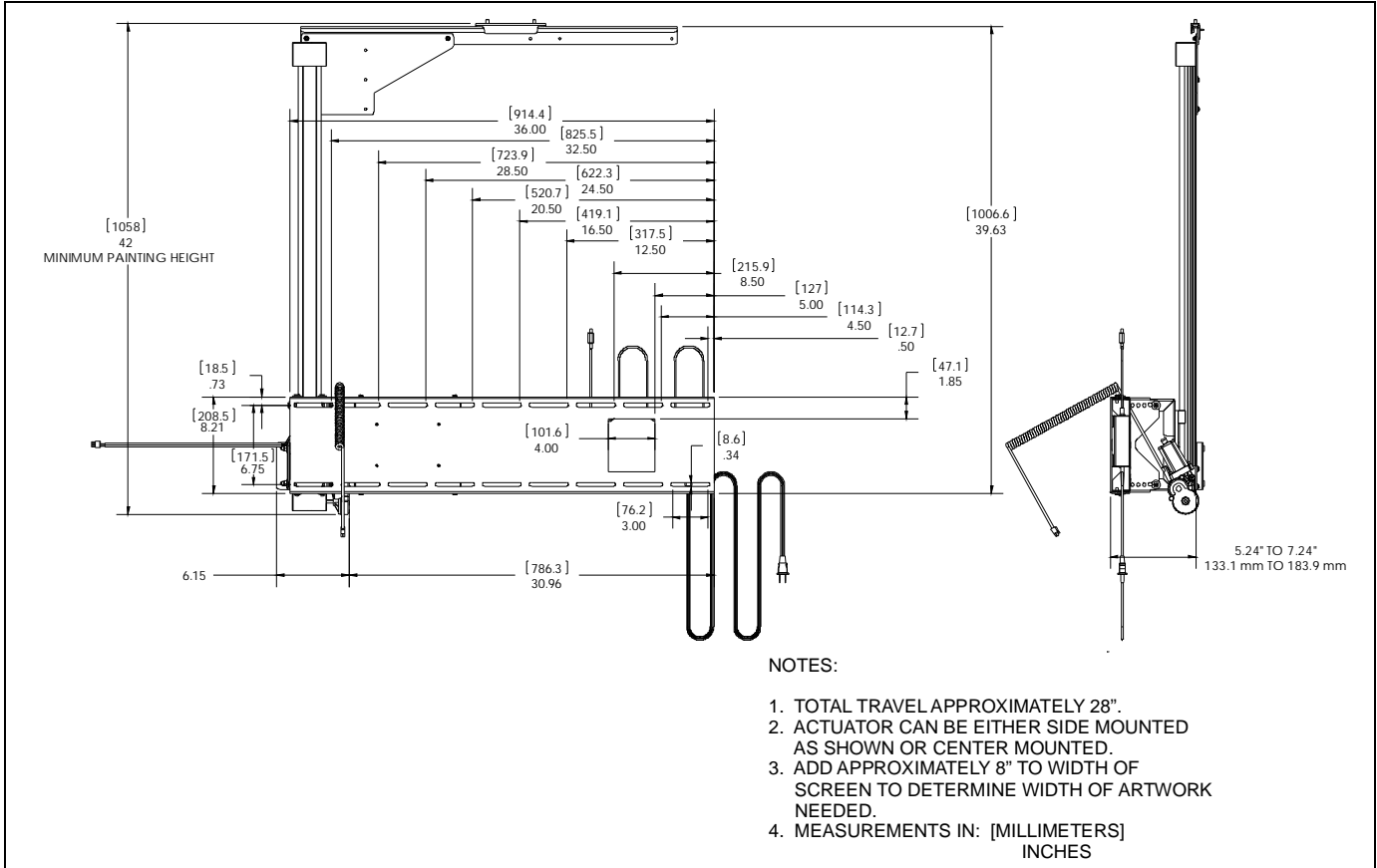
	Pencil Mark
	Marcar con lápiz
	Stiftmarkierung
	Marcar com lápis
	Segno a matita
	Potloodmerkteken
	Marquage au crayon

	Drill Hole
	Perforar
	Bohrloch
	Fazer furo
	Praticare un foro
	Gat boren
	Percez un trou

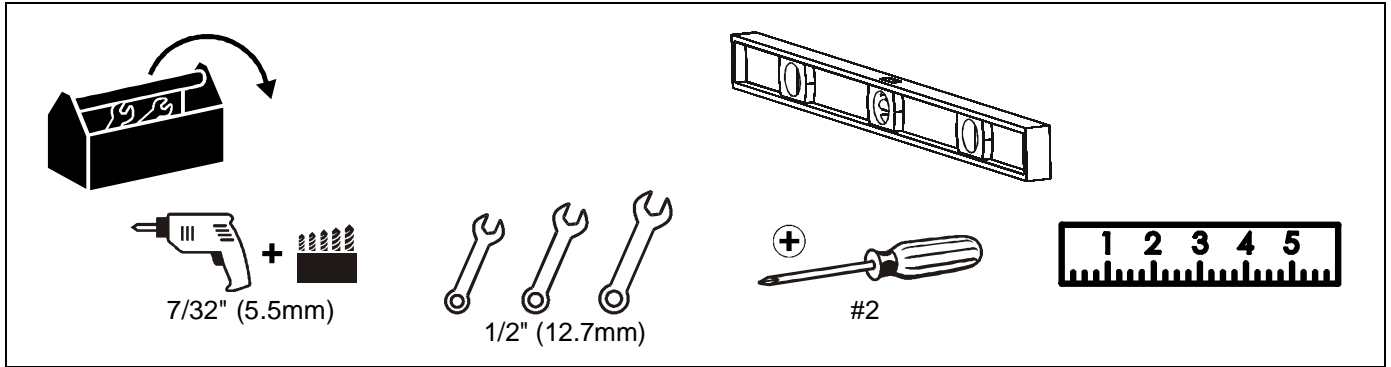
	By Hand
	A mano
	Von Hand
	Com a mão
	A mano
	Met de hand
	À la main

	Hex-Head Wrench
	Llave de cabeza hexagonal
	Sechskantschlüssel
	Chave de cabeça sextavada
	Chiave esagonale
	Zeskantsleutel
	Clé à tête hexagonale

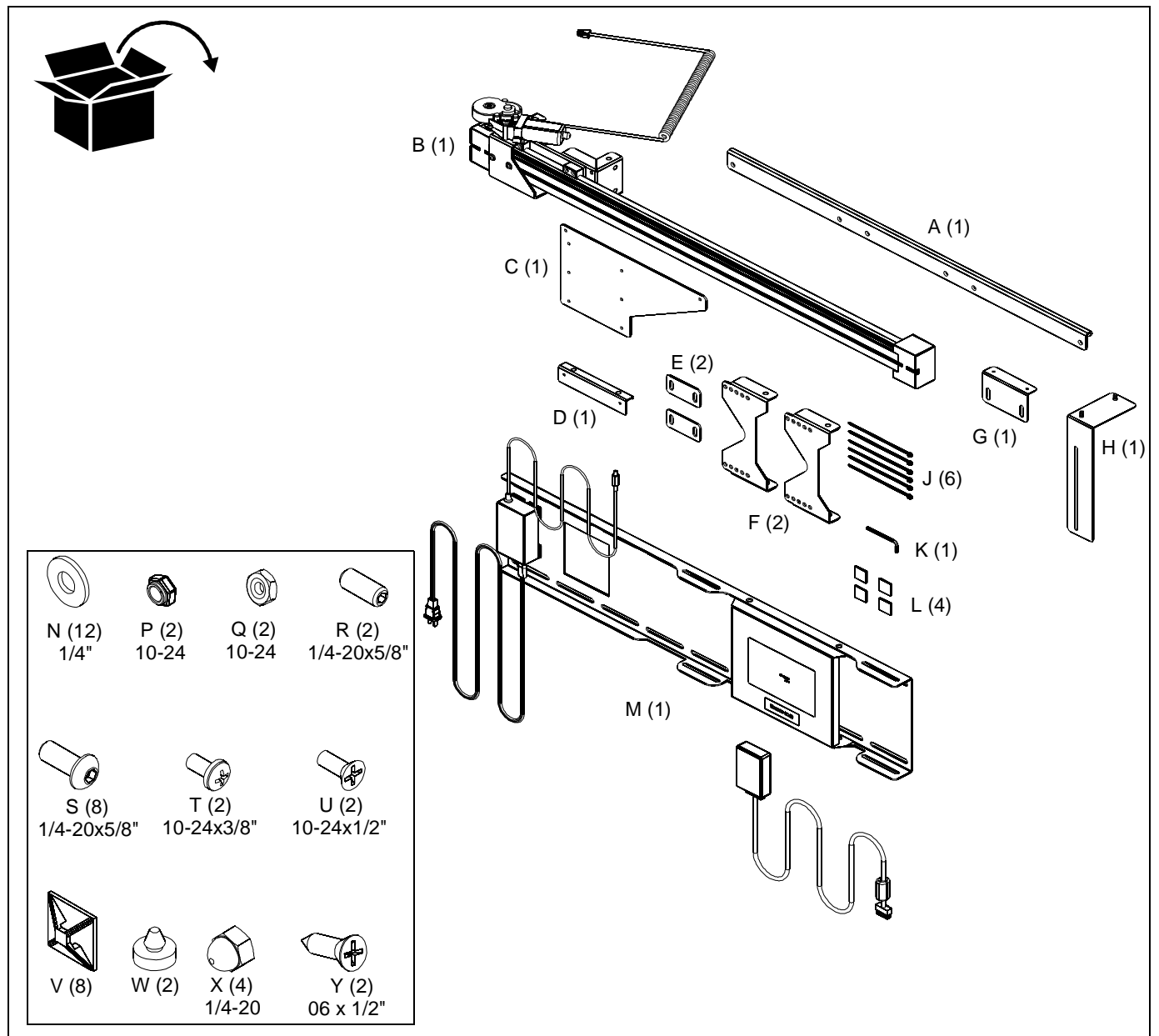
DIMENSIONS



TOOLS REQUIRED FOR INSTALLATION



PARTS



INSTALLATION REQUIREMENTS

The CM5 has been designed to be mounted directly onto the wall to cover a TV with a piece of artwork when the TV is not in use.

Power Requirements and Wiring

The CM5 requires 120VAC (220/240VAC 50 Hz for European installations) power to operate.

INSTALLATION

Locating Mounting Site



WARNING: IMPROPER INSTALLATION CAN LEAD TO MOUNT FALLING CAUSING SEVERE PERSONAL INJURY OR DAMAGE TO EQUIPMENT! It is the installers responsibility to make certain the structure to which the mount is being attached is capable of supporting five times the weight of the CM5 and all attached equipment not to exceed 15 lbs (6.80 kg).

1. Decide if the artwork should move above the TV or below it when the TV is in use.
2. Identify a suitable wall location for the CM5 taking into consideration whether the TV is in a recessed installation or installed against the wall.
3. Using a stud finder, locate and mark the two studs to which the CM5 will be installed. The CM5 can be moved horizontally to accommodate centering the CM5 over the TV and being able to attach the CM5 to studs.



WARNING: ELECTRICAL SHOCK HAZARD! CUTTING OR DRILLING INTO ELECTRICAL CORDS OR CABLES CAN CAUSE DEATH OR SERIOUS PERSONAL INJURY! ALWAYS make certain area behind mounting surface is free of electrical wires and cables before drilling or installing fasteners.



WARNING: EXPLOSION AND FIRE HAZARD! CUTTING OR DRILLING INTO GAS PLUMBING CAN CAUSE DEATH OR SERIOUS PERSONAL INJURY! ALWAYS make certain area behind mounting surface is free of gas, water, waste, or any other plumbing before cutting, drilling, or installing fasteners.

After preparing the area for the CM5, all electrical and signal wires and cables should be routed and support hardware (J-box, outlets, etc.) installed.



WARNING: ELECTRIC SHOCK HAZARD! IMPROPER WIRING CAN LEAD TO DEATH OR SEVERE PERSONAL INJURY! Wiring MUST BE performed by qualified electricians.

1. Determine appropriate location for outlet and install.
2. Route electrical wires to outlet.
3. Route all signal wires to hole in drywall.
4. Provide power to outlet.

Installing Wallplate Assembly to Wall

1. Remove and keep the four 10-24 x 1/2" Phillips pan head screws from the control board cover on the wallplate assembly (M). (See Figure 1)
2. Carefully pull cover straight out and away from wallplate assembly. (See Figure 1)

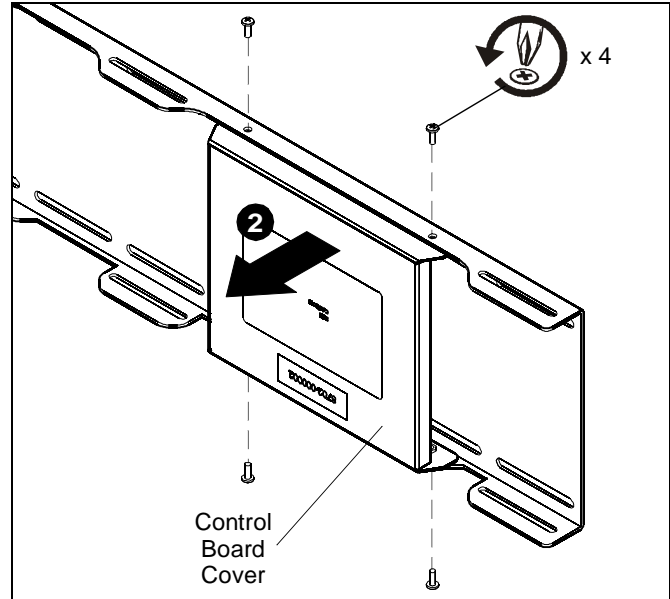


Figure 1

3. Determine the desired location for the wallplate assembly.
4. Using a level, mark the wall on each stud to install the wallplate assembly (M). (See Figure 2)

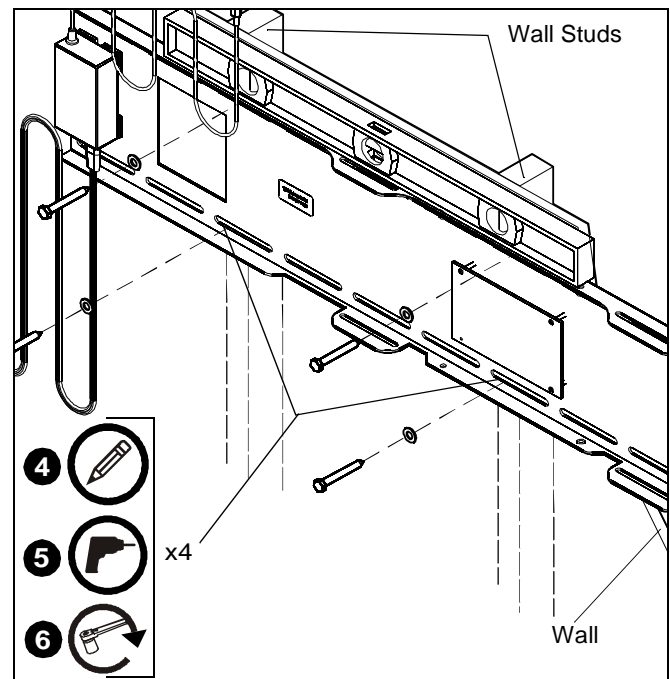


Figure 2

5. Drill pilot holes at markings. (See Figure 2)
6. Use four lag bolts and four flat washers (not provided) to attach wallplate assembly to wall. (See Figure 2)

Attaching Brackets

1. Attach two rubber bumpers (W) to lower art support bracket (G). (See Figure 3)

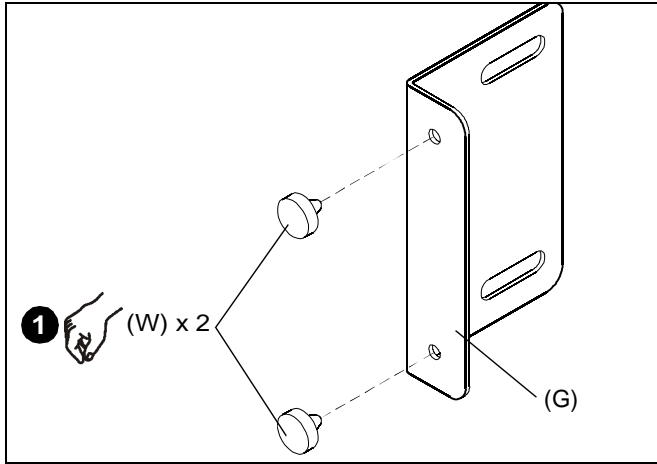


Figure 3

NOTE: If the actuator assembly (B) will be attached to the wall plate at one end, proceed to Step 2.

NOTE: If the actuator assembly (B) will be attached to the wall plate in the center, proceed to Step 3.

2. Turn actuator assembly (B) on its side and attach art support bracket (G) to the lower end using two 1/4" flat washers (N) and two 1/4-20 acorn nuts (X). (See Figure 4)

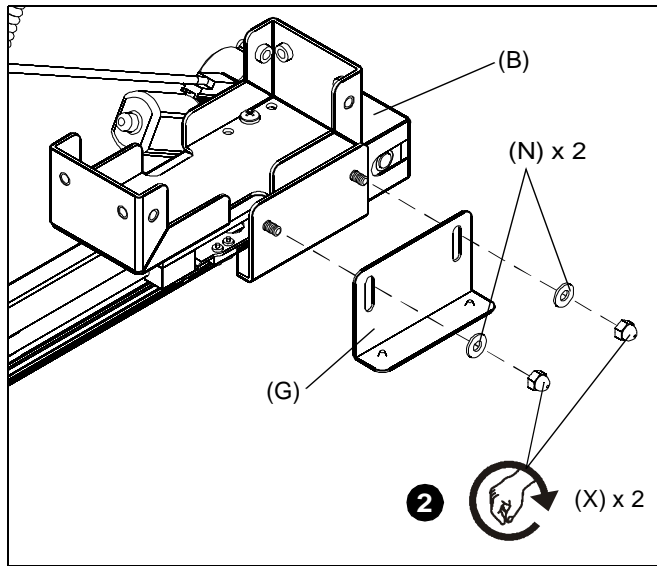


Figure 4

3. Turn actuator assembly (B) on its side and attach bracket (H) and art support bracket (G) to the lower end using four 1/4" flat washers (N) and four 1/4-20 acorn nuts (X). (See Figure 5)

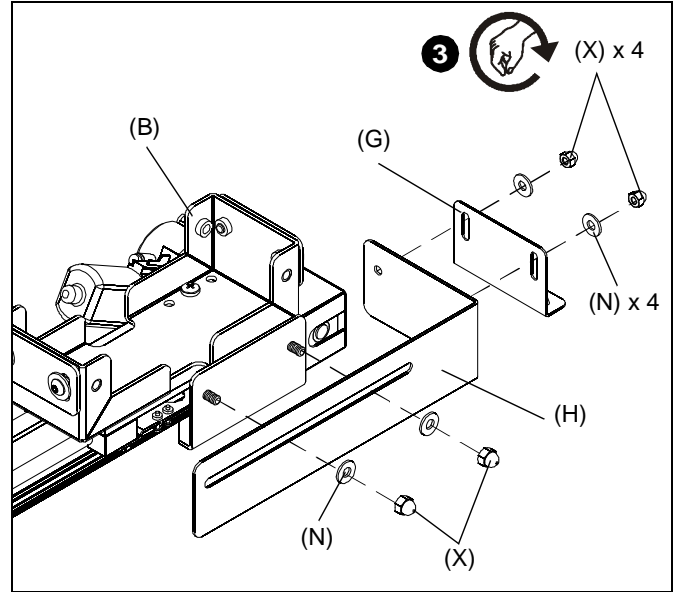


Figure 5

4. Insert two 10-24 hex nuts (Q) into channel at other end of actuator assembly (B). (See Figure 6)

NOTE: Keep actuator assembly (B) on its side so that hex nuts do not slide to opposite end of assembly.

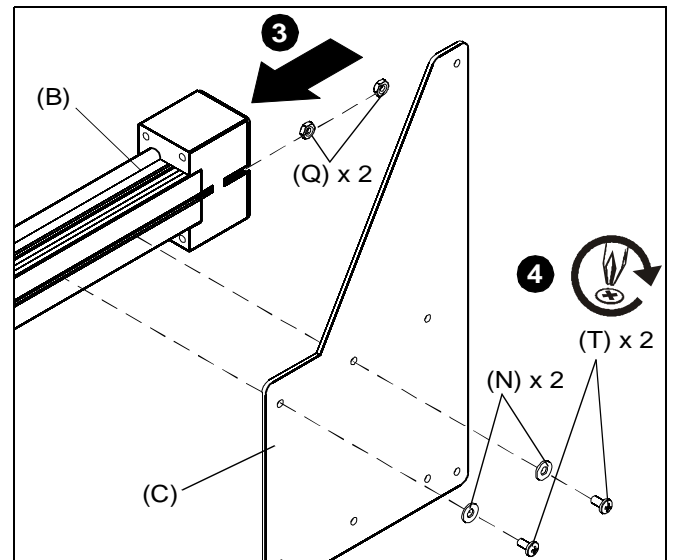


Figure 6

5. Attach upper rail support (C) to actuator assembly (B), inserting two 10-24 x 3/8" Phillips head screws (T) through two 1/4" flat washers (N) and into two hex nuts (Q). (See Figure 6)
6. Attach upper rail (A) to upper rail support (C) using two 10-24 x 1/2 Phillips flat head screws (U) and two 10-24 nylon lock nuts (P). (See Figure 7)

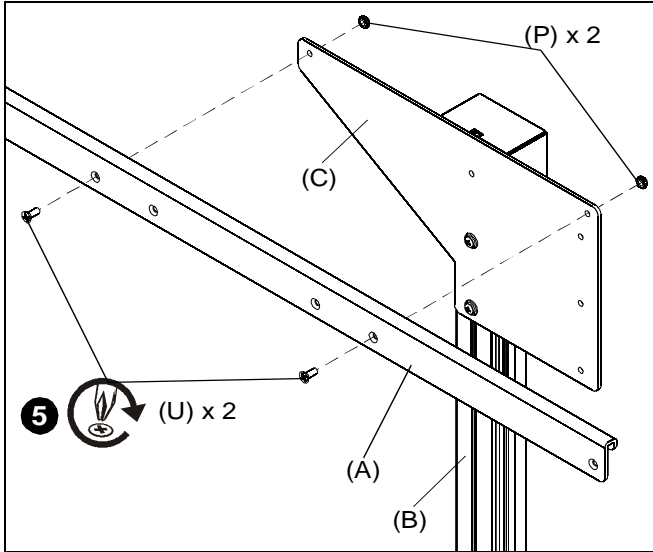


Figure 7

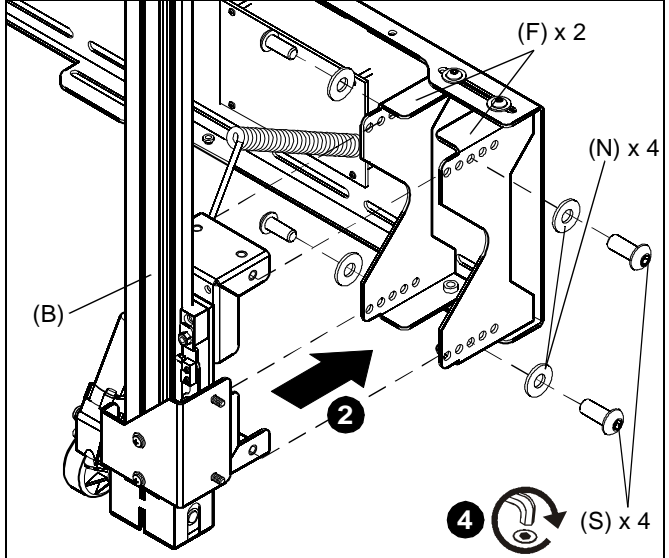


Figure 9

Connecting Actuator Assembly to Wallplate

NOTE: Proceed to the connection method which matches the TV mount method.

• **Flush-Mounted TV**

1. Attach two height adjustment brackets (F) to wallplate assembly (M) using four 1/4-20 x 5/8" buttonhead cap screws (S) and four 1/4" flat washers (N). Partially tighten only, so that further adjustments can be made. (See Figure 8)

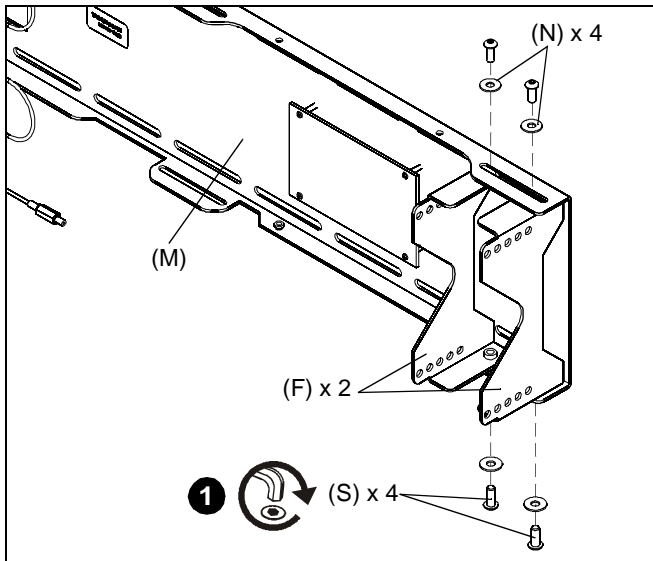


Figure 8

2. Slide the actuator assembly (B) into the space between the two height adjust brackets (F). (See Figure 8)
3. Slide the height adjust brackets so they are tight against the actuator assembly and tighten the four buttonhead cap screws and flat washers installed in Step 1. (See Figure 8)
4. Proceed to **Attaching Artwork** section.

• **Recessed TV**

1. Add two spacer brackets (E) to the wallplate assembly (M). (See Figure 10)
2. Attach the actuator assembly (B) to the wallplate assembly (M) using four 1/4-20 x 5/8" buttonhead cap screws (S) and four 1/4" flat washers (N). (See Figure 10)

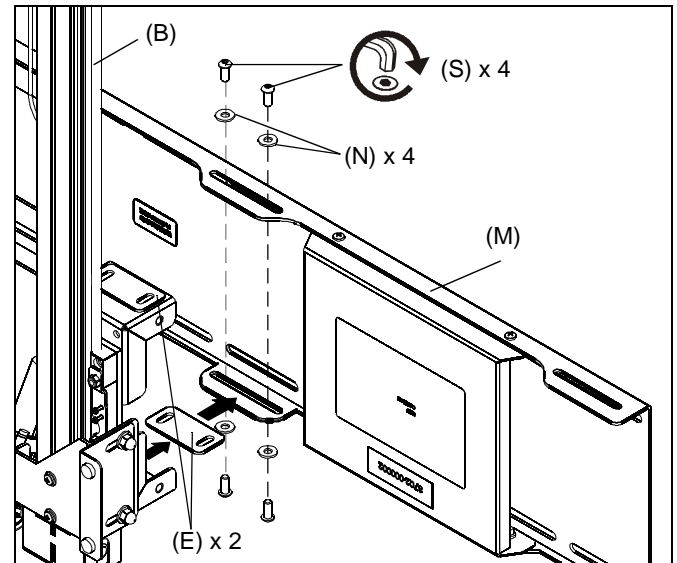


Figure 10

Attaching Artwork

1. Partially insert two 1/4-20 x 5/8" set screws (R) into top of art bracket (D). (See Figure 11)
2. Center art bracket (D) against art and attach to back of art using two 06 x 1/2" Phillips flat head wood screws (Y). (See Figure 11)

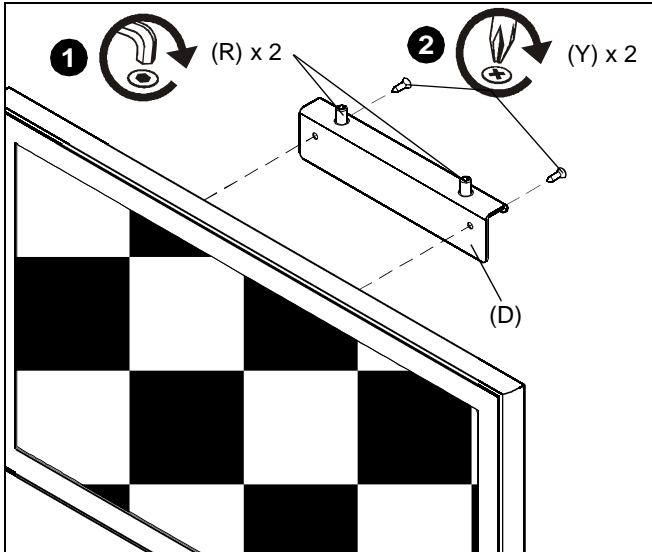


Figure 11

3. Center and hang art with attached art bracket (D) on upper rail (A). (See Figure 12)
4. Adjust and level art by loosening or tightening set screws (R) in top of art bracket, as required. (See Figure 12)

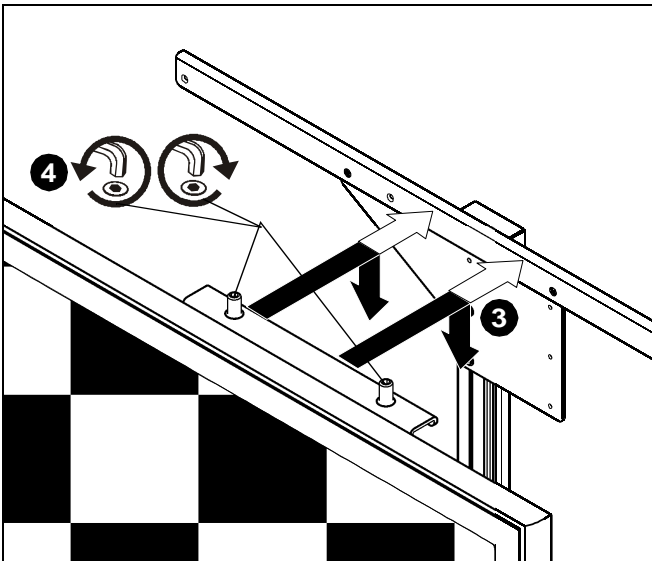


Figure 12

5. Loosen acorn nuts on lower art support bracket (G). (See Figure 13)
6. Adjust lower art support bracket against back of art so that art hangs plumb with the CM5. (See Figure 13)
7. Tighten acorn nuts (X). (See Figure 13)

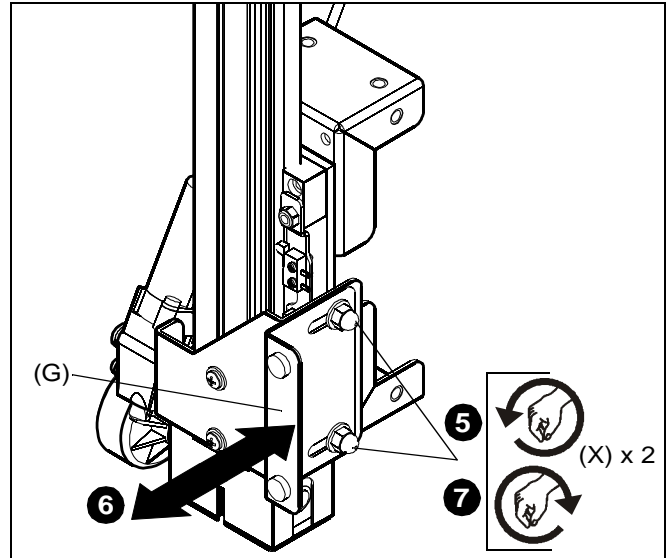


Figure 13

CM5 Programming

NOTE: The IR Repeater must be placed so that it can be "seen" by the TV remote signal.

After power is turned ON to the CM5 it will need to be programmed prior to operating.

1. Turn power ON to CM5.

NOTE: The LED will be dark when power is first turned ON. (See Figure 14)

2. Remove artwork from upper rail.
3. On the control box, press and hold ENTER button for a few seconds and then release. [The LED will be blinking.] (See Figure 14)

NOTE: The first position to be programmed is the "Home" position. Ensure that in the "Home" position the artwork does NOT cover the screen.

4. Press either UP or DOWN button until upper rail is at desired position.

NOTE: There may be a slight vibration when the CM5 is moving downward without artwork attached.

5. Press and hold ENTER button for a few seconds and release. [The LED will be blinking in sequences of two.]
6. Repeat Step 4 in opposite direction.
7. Press and hold ENTER button for a few seconds and release. [The LED will be blinking in sequences of three.]
8. Hang artwork on upper rail to allow CM5 to set the draw limits for the specific artwork. This prevents the CM5 from actuating again if there is an excess current draw due to a malfunction or obstruction.

IMPORTANT ! : Ensure that area in the entire travel space of the unit is clear of any obstructions. Every few actuations, the unit will "home" itself to the installed hard stop at the "Home" position.

9. Press ENTER button. The unit will travel to the very end of its stops and will "Home" itself.
10. The unit is now ready to operate with either the control box or a remote control.
11. Operate the CM5 using the UP and DOWN push buttons, or a television remote control.

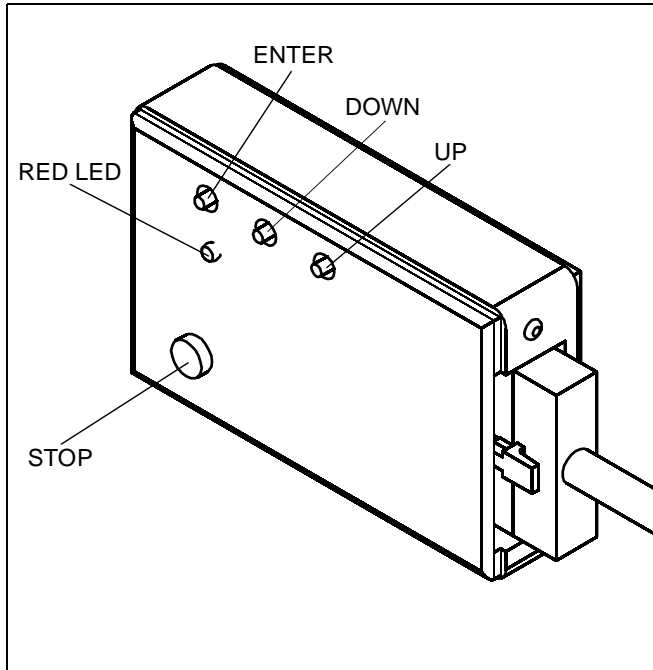


Figure 14

Troubleshooting

Unit fails to move:

1. Check to ensure all connections are tight.
2. Ensure that there is power to the unit so that the LED is on.
3. Ensure that the micro-switches are engaged.
 - When the unit is away for the far ends of travel, the micro-switches should be engaged.
 - If you are able to move the switch and hear an audible click, the switch is not making contact and needs to be adjusted.

Unit fails to move and the LED is blinking:

1. The unit was stopped due to an obstruction or an overload.
 - Check for any obstruction. If there is none, press "Enter" once. The unit will now "Home" itself, and is ready for operation.
2. Power was lost.
 - After power has been restored, press "Enter" once. The unit will now "Home" itself, and is ready for operation.
3. Emergency stop button was pushed.
 - Press "Enter" once. The unit will now "Home" itself, and is ready for operation.

Unit fails to operate with television remote control:

1. Ensure that batteries in remote are good.
2. Ensure that IR receiver is not obstructed.
3. Adjust IR receiver unit for the CM5 by moving it to different positions until the remote control will actuate the unit.



MANUFACTURERS DECLARATION OF CONFORMITY

For

Product identification:

Model/type : CM5 – Lift
 Category (description) : Mounting devices, Stands and other Accessories, to be used with entertainment electronics
 Brand : Chief

Manufacturer:

Milestone AV Technologies
 8401 Eagle Creek Parkway
 Savage, MN 55378

EU Representative:

Milestone AV Technologies
 Fellennoord 130 5611
 ZB Eindhoven
 The Netherlands
 31 (0)20 5708923

Concerning				
	EMC	Safety		
A sample of the product has been tested by:	TUV 0123	CSAV Inc.		
Test report reference	.WC703013, NC707785			
Applied standards	EN50022B, EN55014-2, EN61000-4	EN 60065 :2002		

Means of conformity

We declare under our sole responsibility that this product is in conformity with Directive 93/68/EEC (Marking), 98/37/EC (Machinery) 2001/95/EC (Safety) and 2004/108/EC (EMC) and/or complies to the essential requirements and all other relevant provisions of the based on test results using (non)harmonized standards in accordance with the Directives mentioned



Our Mounts. **Your Vision.**

Chief Manufacturing, a products division
of Milestone AV Technologies

8820-000026 RevB

©2009 Milestone AV Technologies, a
Duchossois Group Company

www.chiefmfg.com

05/09

USA/International A 8401 Eagle Creek Parkway, Savage, MN 55378
P 800.582.6480 / 952.894.6280

F 877.894.6918 / 952.894.6918

Europe A Fellenoord 130 5611 ZB EINDHOVEN, The Netherlands

P +31 (0)40 2668620

F +31 (0)40 2668615

Asia Pacific A Room 24F, Block D, Lily YinDu International Building
LuoGang, BuJi Town, Shenzhen, CHINA.

深圳市布吉罗岗村百合银都国际大厦D栋24F

P +86-755-8996 9226

F +86-755-8996 9217

