

INSTALLATION INSTRUCTIONS

FLAT CEILING PLATE

CMA-210

The Ceiling Plate is designed for ease of installation with any height of drop ceiling. By using any length of standard NPT 2" pipe threaded both ends, you can extend the height capabilities to meet your needs.

WARNING: IMPROPER INSTALLATION MAY RESULT IN SERIOUS PERSONAL INJURY!

When mounting Chief Manufacturing accessories, the structural system and mounting method **MUST** be capable of supporting 5 times the combined weight of the total installation. The maximum weight to be installed on the ceiling plate is 500 pounds (226.8 Kg).

Unpack and check contents:

- (1) Flat Ceiling Plate
- (1) 5/16-18" Socket Set Screw
- (1) 5/32" Hex Wrench

INSTALLATION INSTRUCTIONS

1. Securely install the ceiling plate to the ceiling joists. (**SEE WARNING ABOVE**) Bolt hole spacing is shown on Figure 1.
2. Thread your standard NPT 2" pipe into coupler, tighten securely.
3. Install and securely tighten the 5/16-18" socket set screw.
4. Follow the mounting instructions for your projector model, for installation and adjustment of the projector.

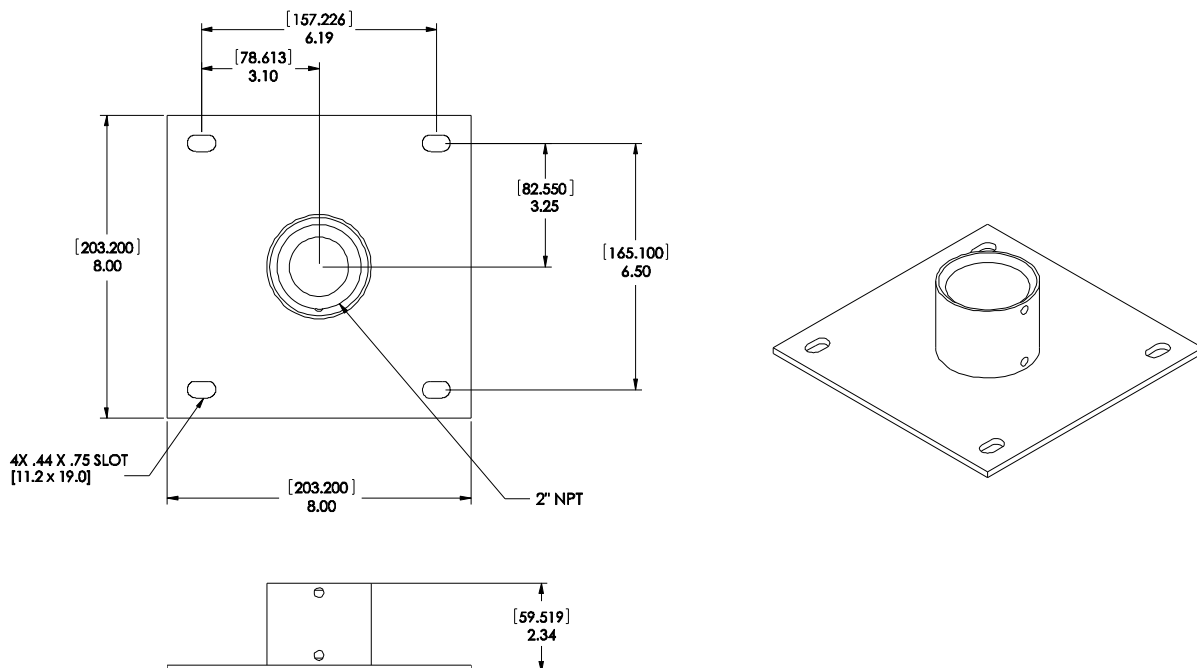


Figure 1. CMA-210 Dimensions