



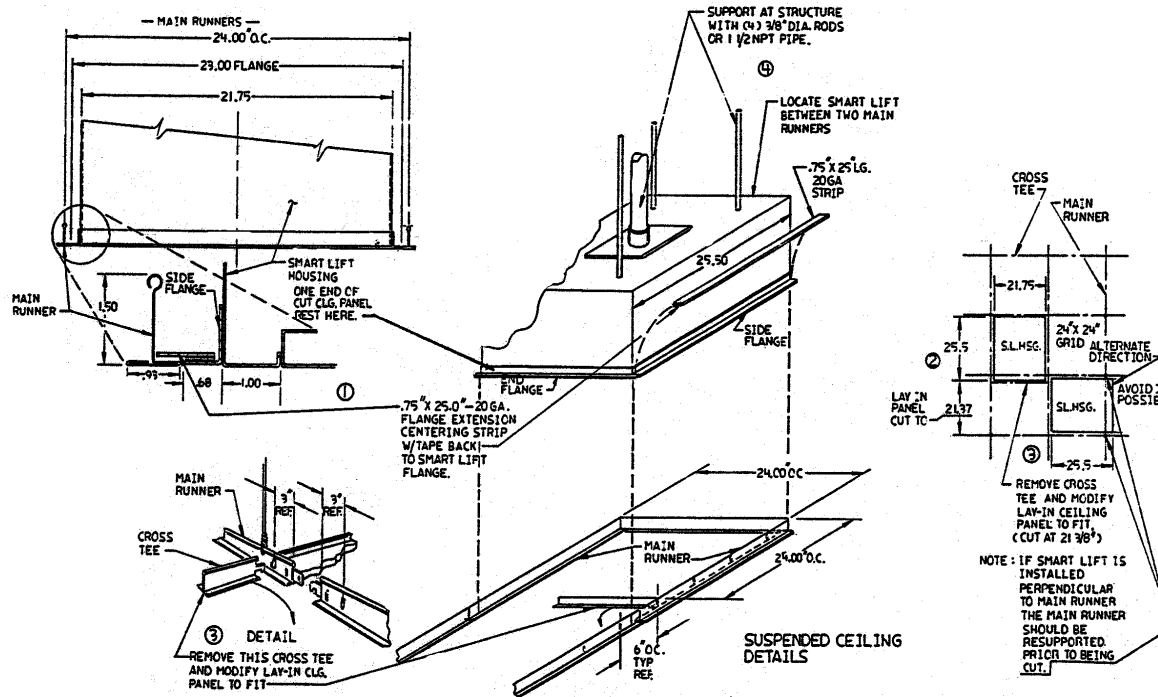
FLANGE EXTENSIONS CMA-240

When installing the Smart Lift in a 24" x 24" pattern suspended ceiling, use of flange extension strips is required. They will help locate the lift in the finished suspended ceiling.

1. Attach the 3/4" wide by 25" long, 20ga. sheet metal strips to the outer top side of flanges on the Smart Lift housing, one on each side. See illustration. Remove the paper backing from double stick tape and press it along length of flange.
2. Remove two ceiling panels.
3. Remove one cross tee from suspended ceiling.
4. Install Smart Lift. See Smart Lift instructions.

Note: When orientation of lift is perpendicular to main runners of ceiling system, the runner that is 'cut' will have to be resupported.

Note: If the lift is centered at an intersection of the grid system, the flange extension strips would not be used. It would also require extensive resupporting of the suspended ceiling.



CMA-240 INSTALLATION KIT
SMART LIFT IN 24" X 24"
SUSPENDED CEILING

WARNING: IMPROPER INSTALLATION MAY RESULT IN SERIOUS PERSONAL INJURY!

The overhead support **must** be capable of supporting **five times** the weight of the mount **and** equipment combined. If it cannot, it **must** be reinforced.