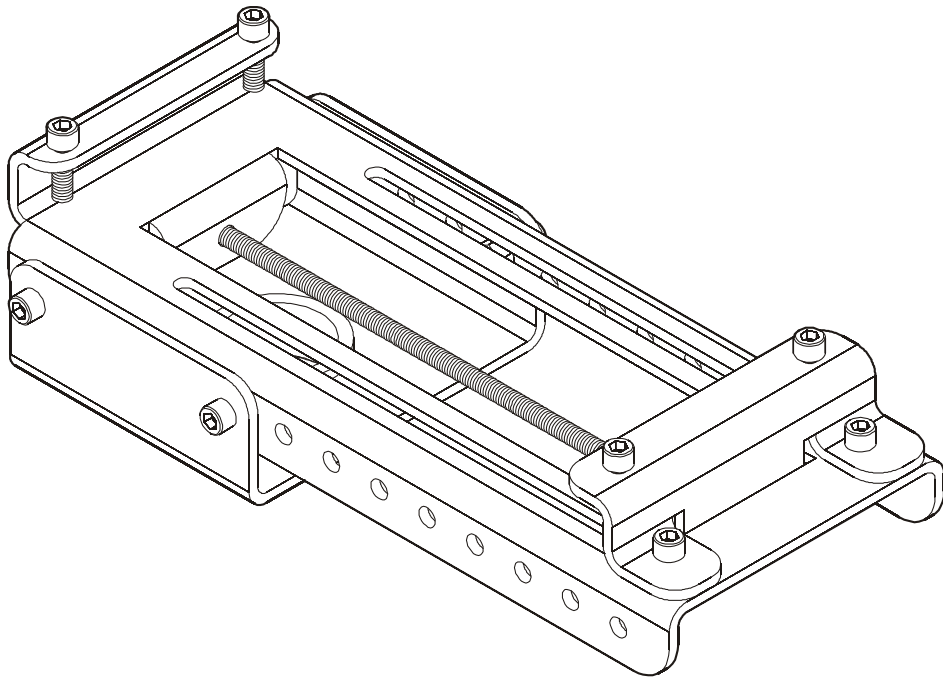

INSTALLATION INSTRUCTIONS



I-Beam Clamp Accessory

DISCLAIMER

Milestone AV Technologies and its affiliated corporations and subsidiaries (collectively "Milestone"), intend to make this manual accurate and complete. However, Milestone makes no claim that the information contained herein covers all details, conditions or variations, nor does it provide for every possible contingency in connection with the installation or use of this product. The information contained in this document is subject to change without notice or obligation of any kind. Milestone makes no representation of warranty, expressed or implied, regarding the information contained herein. Milestone assumes no responsibility for accuracy, completeness or sufficiency of the information contained in this document.

Chief® is a registered trademark of Milestone AV Technologies. All rights reserved.



IMPORTANT SAFETY INSTRUCTIONS



WARNING: A WARNING alerts you to the possibility of serious injury or death if you do not follow the instructions.



CAUTION: A CAUTION alerts you to the possibility of damage or destruction of equipment if you do not follow the corresponding instructions.



WARNING: Failure to read, thoroughly understand, and follow all instructions can result in serious personal injury, damage to equipment, or voiding of factory warranty! It is the installer's responsibility to make sure all components are properly assembled and installed using the instructions provided.



WARNING: Failure to provide adequate structural strength for this component can result in serious personal injury or damage to equipment! It is the installer's responsibility to make sure the structure to which this component is attached can support five times the combined weight of all equipment. Reinforce the structure as required before installing the component.



WARNING: Exceeding the weight capacity can result in serious personal injury or damage to equipment! It is the installer's responsibility to make sure the combined weight of all components attached to the CMA360 does not exceed 250 lbs (113.4 kg).



WARNING: Use this mounting system only for its intended use as described in these instructions. Do not use attachments not recommended by the manufacturer.



WARNING: Never operate this mounting system if it is damaged. Return the mounting system to a service center for examination and repair.



WARNING: Do not use this product outdoors.

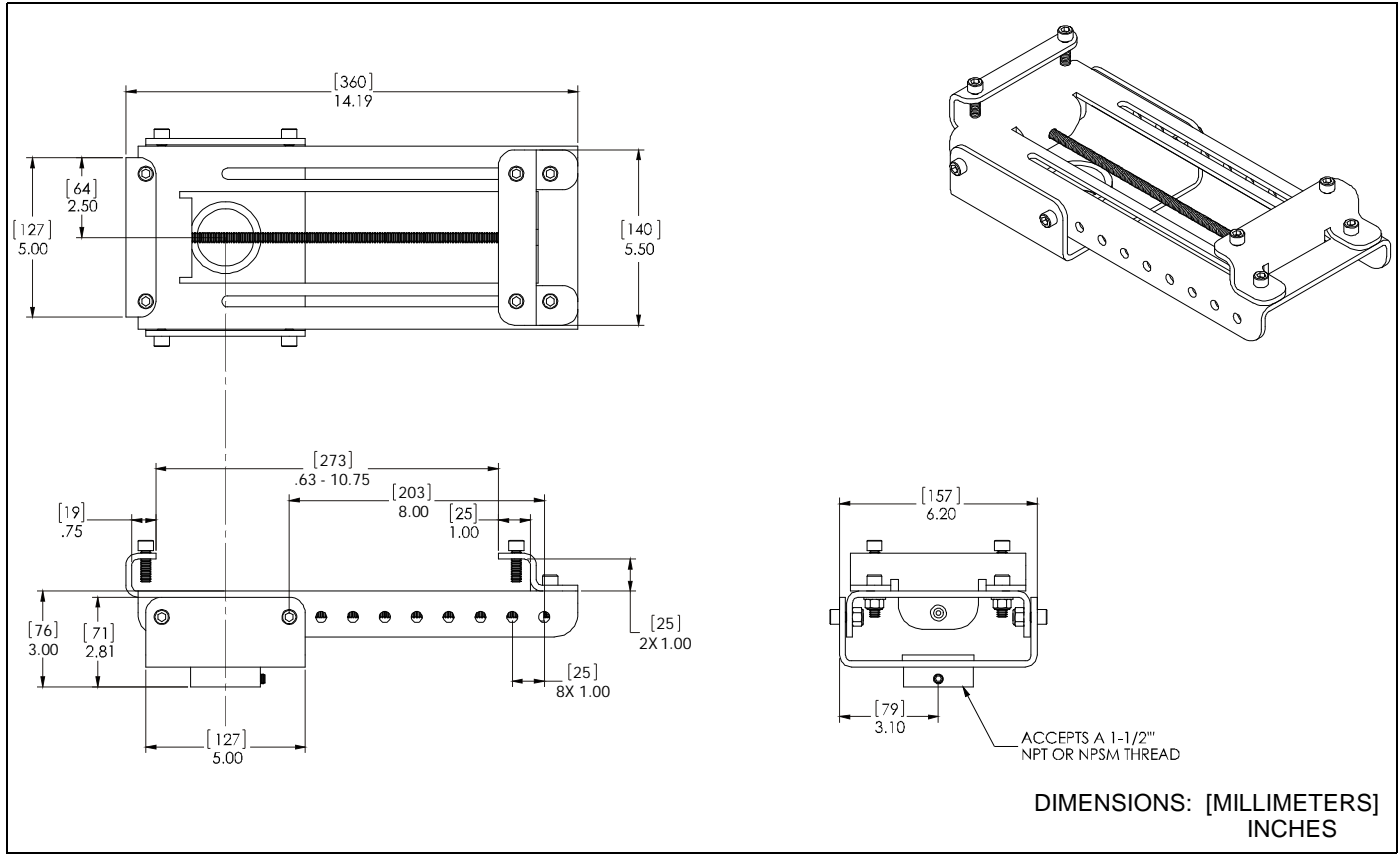


CAUTION: Watch for pinch points. Do not put your fingers between movable parts.

IMPORTANT ! : The CMA360 is designed for installation to an I-beam with the minimum dimensions shown in Figure 1.

--SAVE THESE INSTRUCTIONS--

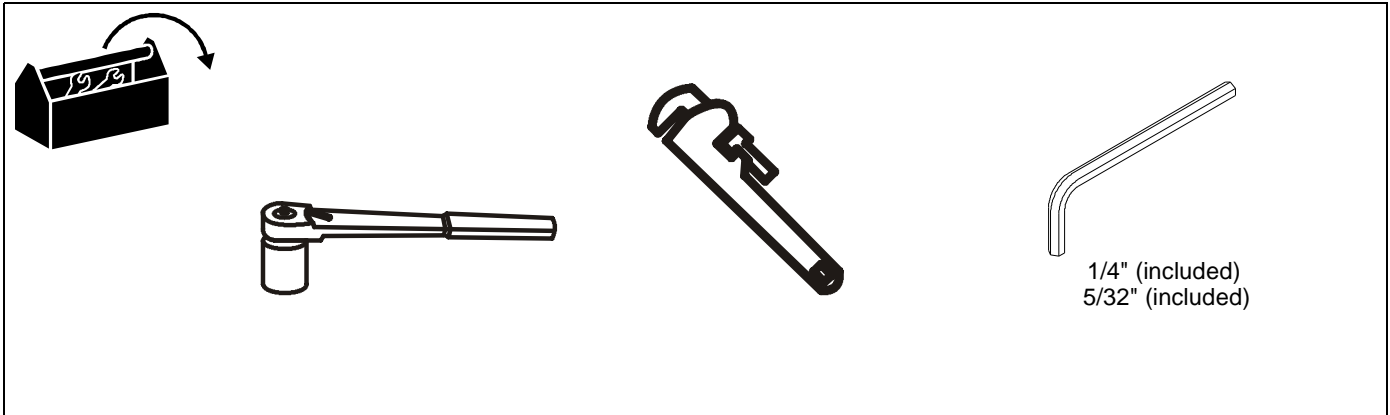
DIMENSIONS



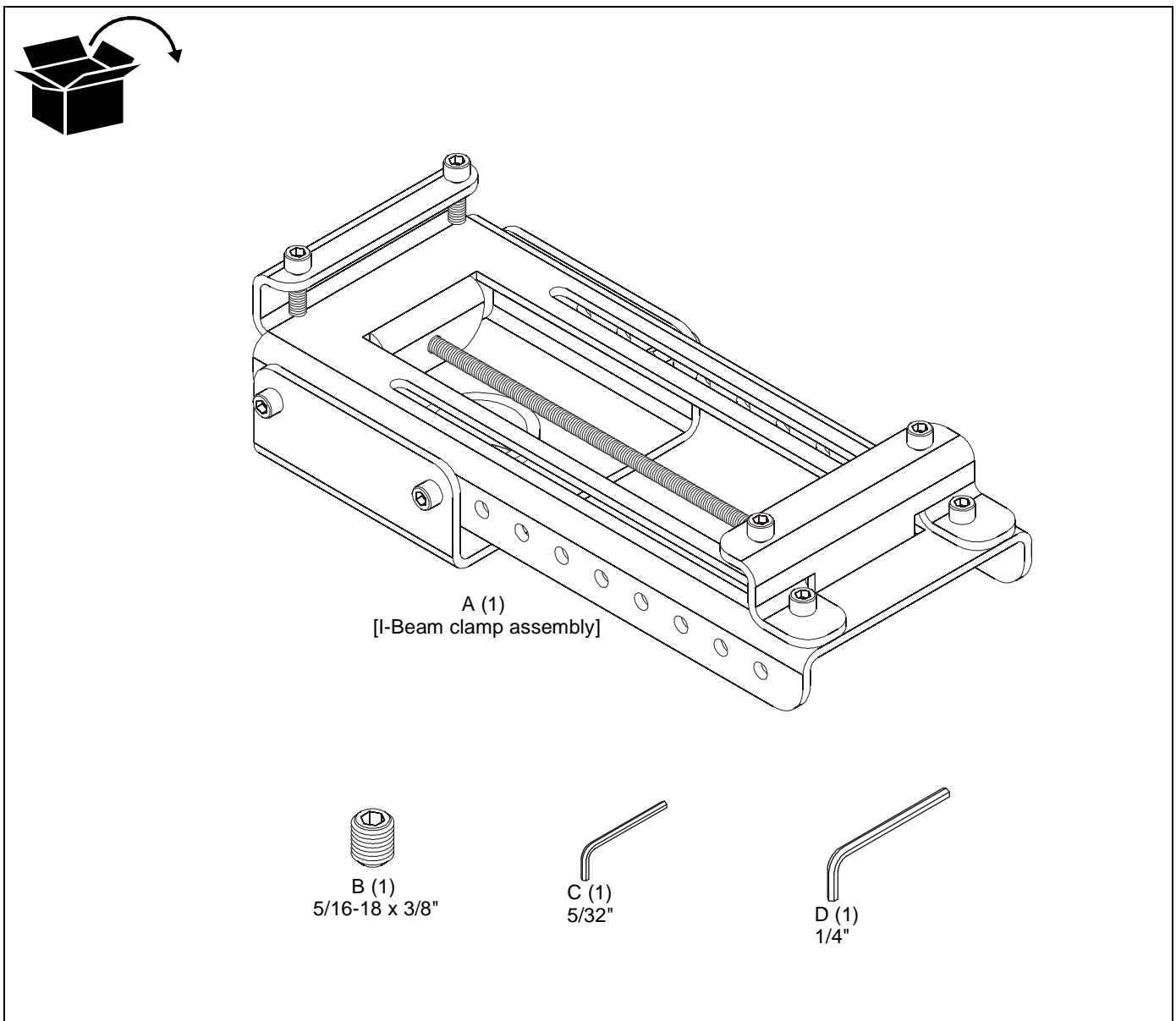
LEGEND

	Tighten Fastener
	Apretar elemento de fijación
	Befestigungsteil festziehen
	Apertar fixador
	Serrare il fissaggio
	Bevestiging vastdraaien
Serrez les fixations	
	Loosen Fastener
	Aflojar elemento de fijación
	Befestigungsteil lösen
	Desapertar fixador
	Allentare il fissaggio
	Bevestiging losdraaien
Desserrez les fixations	
	Hex-Head Wrench
	Llave de cabeza hexagonal
	Sechskantschlüssel
	Chave de cabeça sextavada
	Chiave esagonale
	Zeskantsleutel
Clé à tête hexagonale	

TOOLS REQUIRED FOR INSTALLATION



PARTS



ASSEMBLY AND INSTALLATION

IMPORTANT ! : The CMA360 is designed for installation to an I-Beam with the minimum dimensions shown below. (See Figure 1)

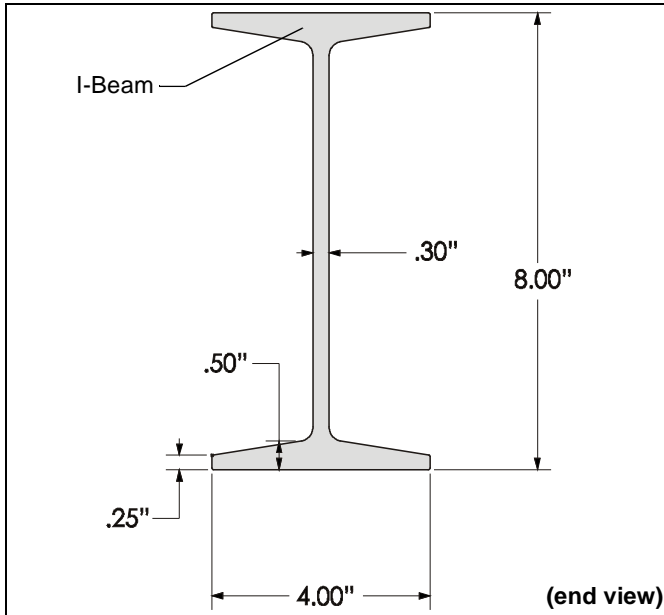


Figure 1

1. Using 1/4" hex key (D), loosen four top clamp screws to allow clamp (A) to slip over I-Beam flanges. (See Figure 2)
2. Using 1/4" hex key (D), loosen two front clamp screws as required to allow sliding bracket to freely move on upper surface of clamp (A). (See Figure 2)

NOTE: Sliding bracket removal is not necessary.

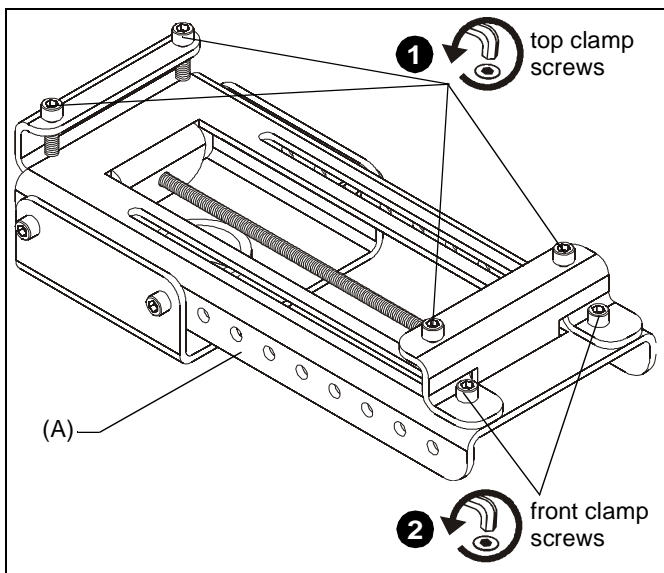


Figure 2

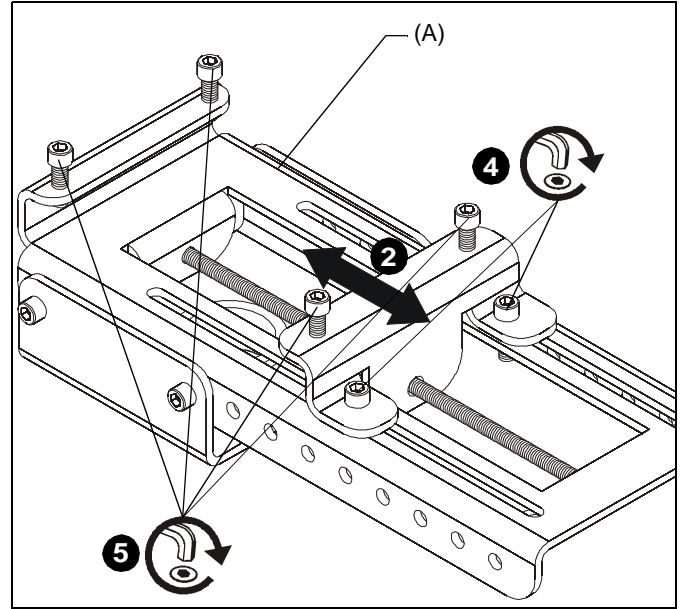


Figure 3

3. Position clamp (A) against lower face of I-Beam and tighten acorn nut. Stop tightening when sliding bracket nearly contacts edges of I-Beam flanges. (See Figure 4)

NOTE: Clamp should be able to slide along length of I-Beam.

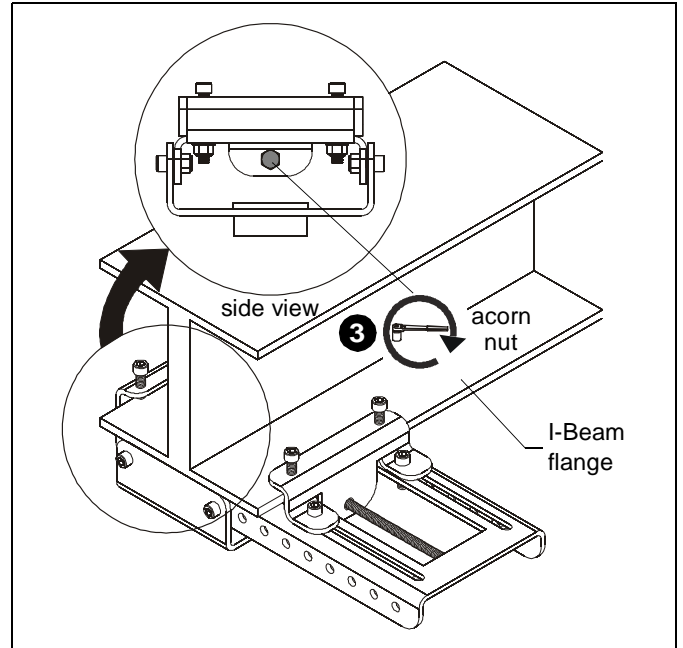


Figure 4

4. Position clamp in desired location and secure front clamp screws using 1/4" hex key (D). (See Figure 2)
5. Using 1/4" hex key (D), securely tighten top four clamp screws. (See Figure 3)

6. If carriage relocation is desired complete the following steps: (See Figure 5)
 - a. Remove four side screws and nuts using 1/4" hex key (D) and socket set.
 - b. Reposition column carriage to desired location.
 - c. Re-install side screws and nuts. Tighten securely.

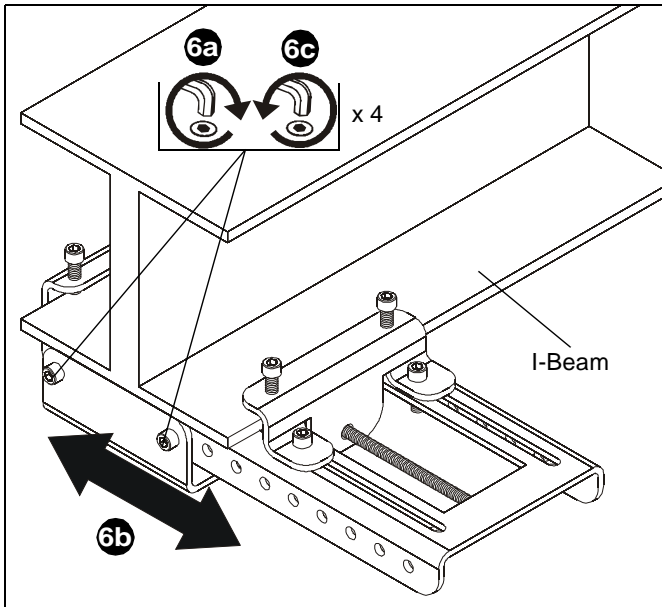


Figure 5

7. Using pipe wrench, install 1-1/2" NPT or NPSM following ANSI/ASME B1.20.1 (Schedule 40, 0.154" minimum thickness aluminum - ASTM B221) threaded extension column (not included) into threaded collar until tight, with a minimum of four threads engaged. (See Figure 6)
8. Using 5/32" hex key and 5/16-18 x 3/8" set screw (B), secure CMA360 to threaded extension column. (See Figure 6)
9. Complete installation following mount installation instructions.

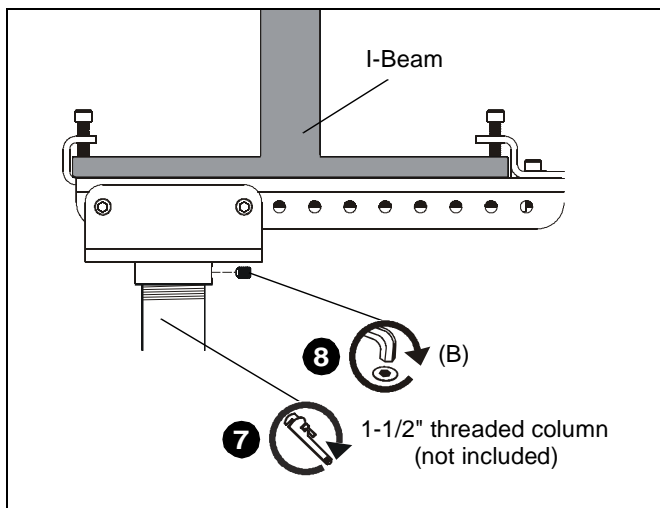


Figure 6



Our Mounts. **Your Vision.**

Chief Manufacturing, a products division
of Milestone AV Technologies

8800-002110 Rev02
©2012 Milestone AV Technologies, a
Duchossois Group Company
www.chiefmfg.com
02/12

USA/International	A 8401 Eagle Creek Parkway, Savage, MN 55378 P 800.582.6480 / 952.894.6280 F 877.894.6918 / 952.894.6918
Europe	A Franklinstraat 14, 6003 DK Weert, Netherlands P +31 (0) 495 580 852 F +31 (0) 495 580 845
Asia Pacific	A Office No. 1 on 12/F, Shatin Galleria 18-24 Shan Mei Street Fotan, Shatin, Hong Kong P 852 2145 4099 F 852 2145 4477

