



CONCRETE FASTENER KIT CMA-380

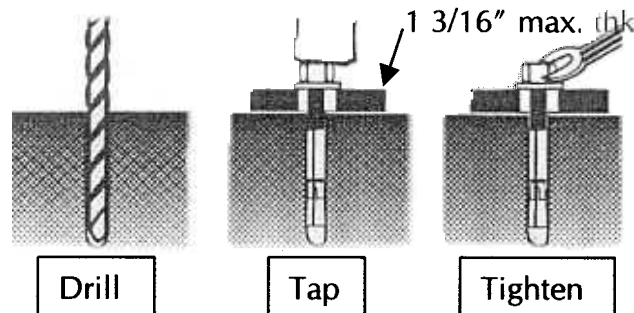
The Concrete Fastener Kit is designed for use on concrete or brick installations. Maximum thickness of material to be secured is 1 3/16". Pullout strength (@4000PSI) 1,130 pounds.

WARNING: IMPROPER INSTALLATION MAY RESULT IN SERIOUS PERSONAL INJURY! All components must be securely fastened to a structural member capable of supporting five times the combined weight of all components and equipment being mounted. If it cannot support this weight, the structure **MUST** be reinforced.

Unpack and check contents:

- (4) 3/8" X 2 1/4" Anchor
- (4) 3/8" Nut
- (4) 3/8" Flat Washer

1. Using a masonry bit, drill four 3/8" diameter holes 1 1/4" deep.
2. Tap anchors into holes to an embedded depth of 1 1/4".
3. Using 3/8" nut and washers, finger tighten nut and secure material by tightening nut three to five turns.



8803-000028