

---

# INSTALLATION INSTRUCTIONS

---

## Ceiling Plate Accessory

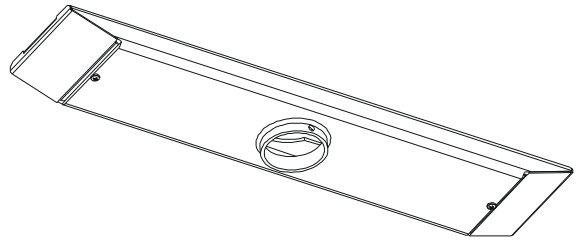
Model: CMA-390/391 

Specifications:

- Attaches a 1-1/2" NPT threaded column to a finished ceiling with 16" on-center (CMA-390) or 24" on center (CMA-391) wood joists.
- Intended for use with Chief CMA Series accessories and RPA Series mounts.

**NOTE:** U.L. listed assemblies require the use of U.L. listed components.

- Weight capacity of 300 lbs (136 kg).



NOTE: CMA-390 shown; CMA-391 similar.

### BEFORE YOU BEGIN

---



**WARNING:** It is the installer's responsibility to make sure all components are properly assembled and installed using the instructions provided. Failure to read, thoroughly understand, and follow all instructions can result in serious personal injury, damage to equipment, or voiding of factory warranty.

- If you have any questions about these instructions or your specific installation, contact Chief Manufacturing at 1-800-582-6480 or 952-894-6280.



CHIEF MANUFACTURING INC.  
1-800-582-6480 952-894-6280 FAX 952-894-6918  
8401 EAGLE CREEK PARKWAY, STE 700  
SAVAGE, MINNESOTA 55378 USA

8803-000030 Rev B  
©2007 Chief Manufacturing  
[www.chiefmfg.com](http://www.chiefmfg.com)  
07/07

**! IMPORTANT WARNINGS AND CAUTIONS!**

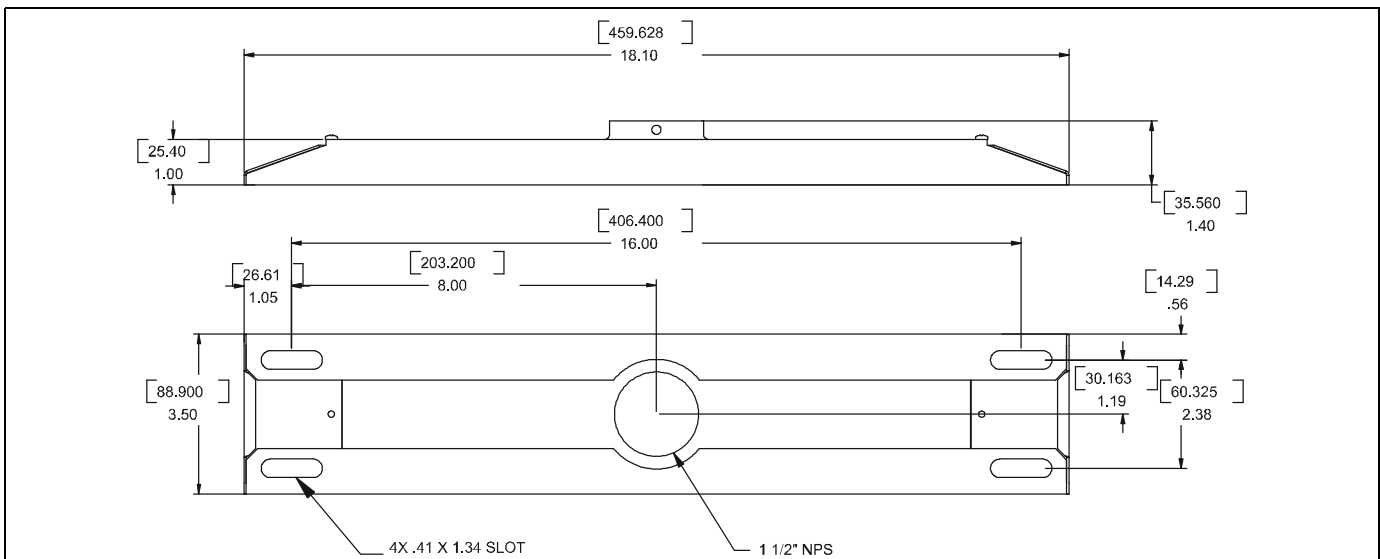
**WARNING:** A WARNING alerts you to the possibility of serious injury or death if you do not follow the instructions.

**CAUTION:** A CAUTION alerts you to the possibility of damage or destruction of equipment if you do not follow the corresponding instructions.

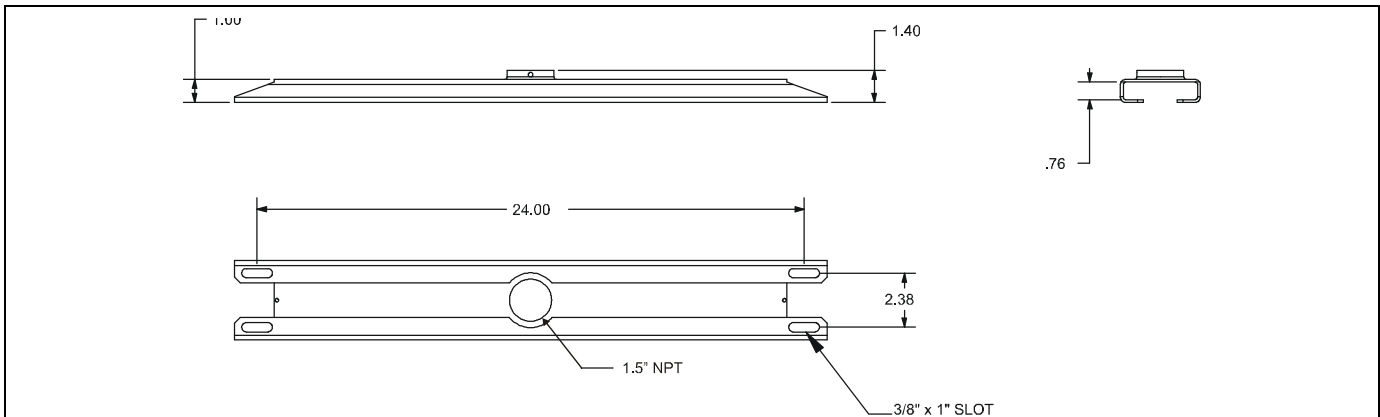
**! WARNING:** Failure to provide adequate structural strength for this component can result in serious personal injury or damage to equipment! It is the installer's responsibility to make sure the structure to which this component is attached can support five times the combined weight of all equipment. Reinforce the structure as required before installing the component.

**! WARNING:** Exceeding the weight capacity can result in serious personal injury or damage to equipment! It is the installer's responsibility to make sure the combined weight of all components located between the CMA-390/391 up to (and including) the display/projector does not exceed 300 lbs (136 kg).

**DIMENSIONS (CMA-390)**



**DIMENSIONS (CMA-391)**



**TOOLS REQUIRED FOR INSTALLATION**

- Stud Sensor
- Drill
- 1/8" Drill Bit
- 7/16" Wrench
- Phillips Screwdriver, #2
- Pipe Wrench
- 5/32" Hex Key (provided)

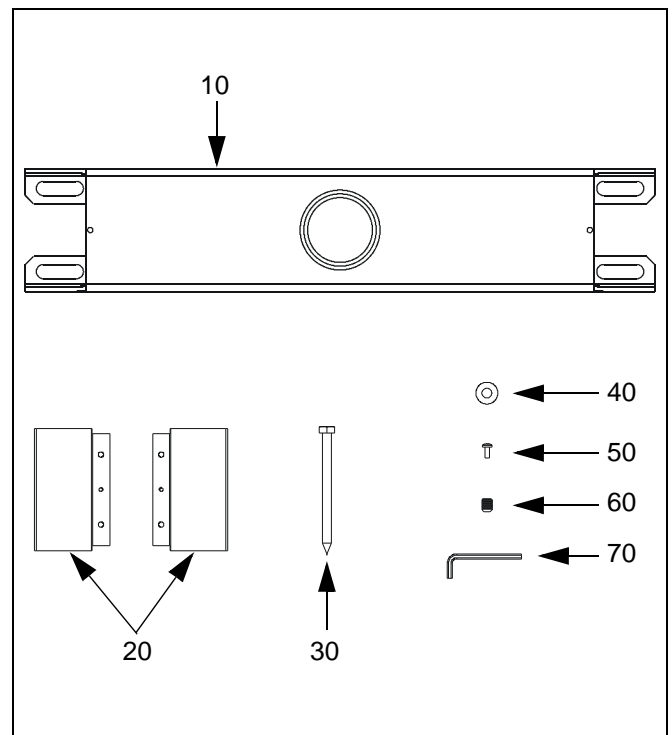
**NOTE:** Other tools may be required depending on your method of installation.

**PARTS**

After unpacking carton, inspect and verify contents (See Figure 1). If any listed parts are missing or damaged, contact Chief Customer Service at 1-800-582-6480.

**Table 1: Parts**

Item	Description	Qty
10	CHANNEL, Adapter Plate	1
20	BRACKET, End	2
30	SCREW, Hex Head Lag, 1/4" x 3-1/2"	4
40	WASHER, Flat, Machine Screw, 1/4"	4
50	SCREW, Phillips Pan Machine, 6-32 x 5/16"	2
60	SCREW, Set, 1/4"	1
70	KEY, Hex, 1/8"	1
---	COLUMN, 1-1/2" NPT (required, not supplied)	1



**Figure 1: Parts**

## INSTALLATION

1. If applicable, use a stud sensor to locate the two wood joists in the desired mounting location. Mark joists with a pencil.
2. Using channel (10) as a template, mark all four pilot hole locations (See Figure 2). Ensure marks are in the center of the wood joists.



**WARNING:** Wood structure must be a minimum of 3-1/2" thick to accommodate the full length of screws (30). Failure to provide adequate structure can result in serious personal injury or damage to equipment!

3. Drill four 1/8" diameter pilot holes, 3-1/2" deep, through ceiling into wood joists. Ensure pilot holes are straight.
4. Using 7/16" wrench, install channel (10) to ceiling with screws (30) and washers (40). Tighten securely.
5. Using Phillips screwdriver, install brackets (20) to channel (10) with screws (50).
6. Using pipe wrench, install 1-1/2" NPT threaded extension column (accessory purchased separately) into threaded collar until tight.
7. Using key (70), install and securely tighten screw (60).

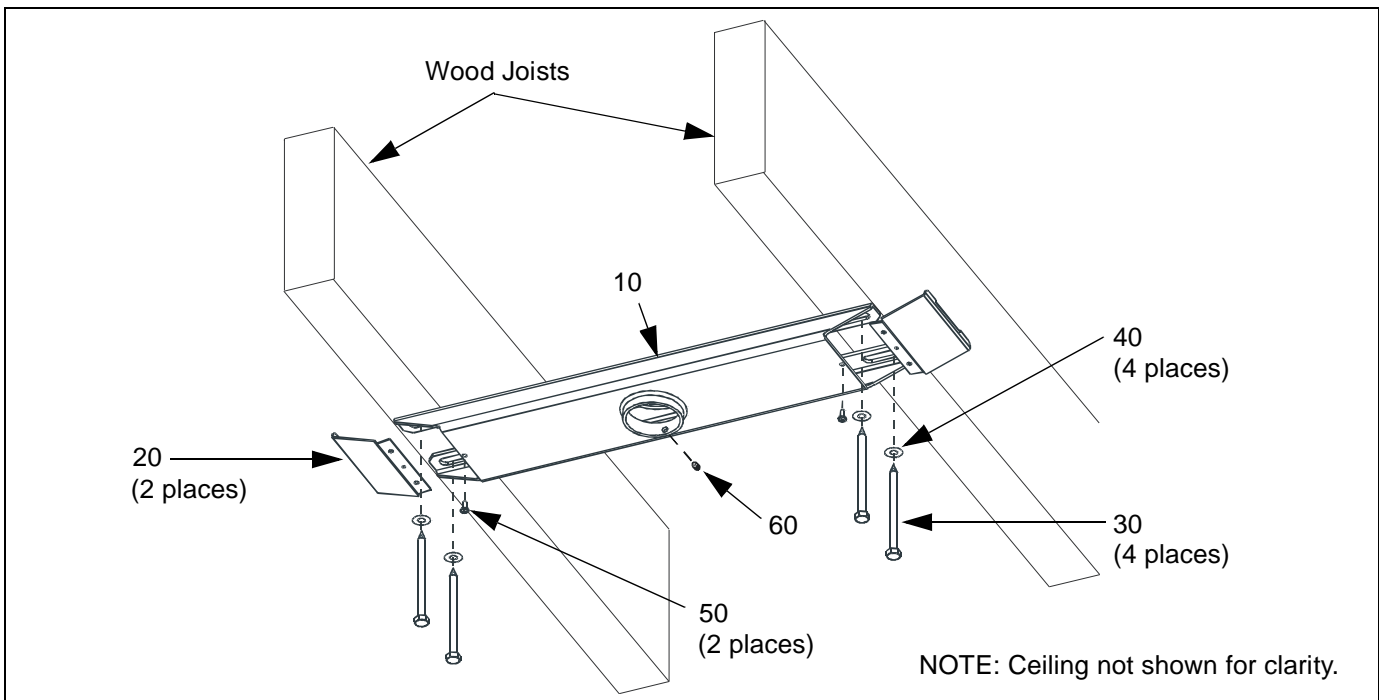


Figure 2: Installation