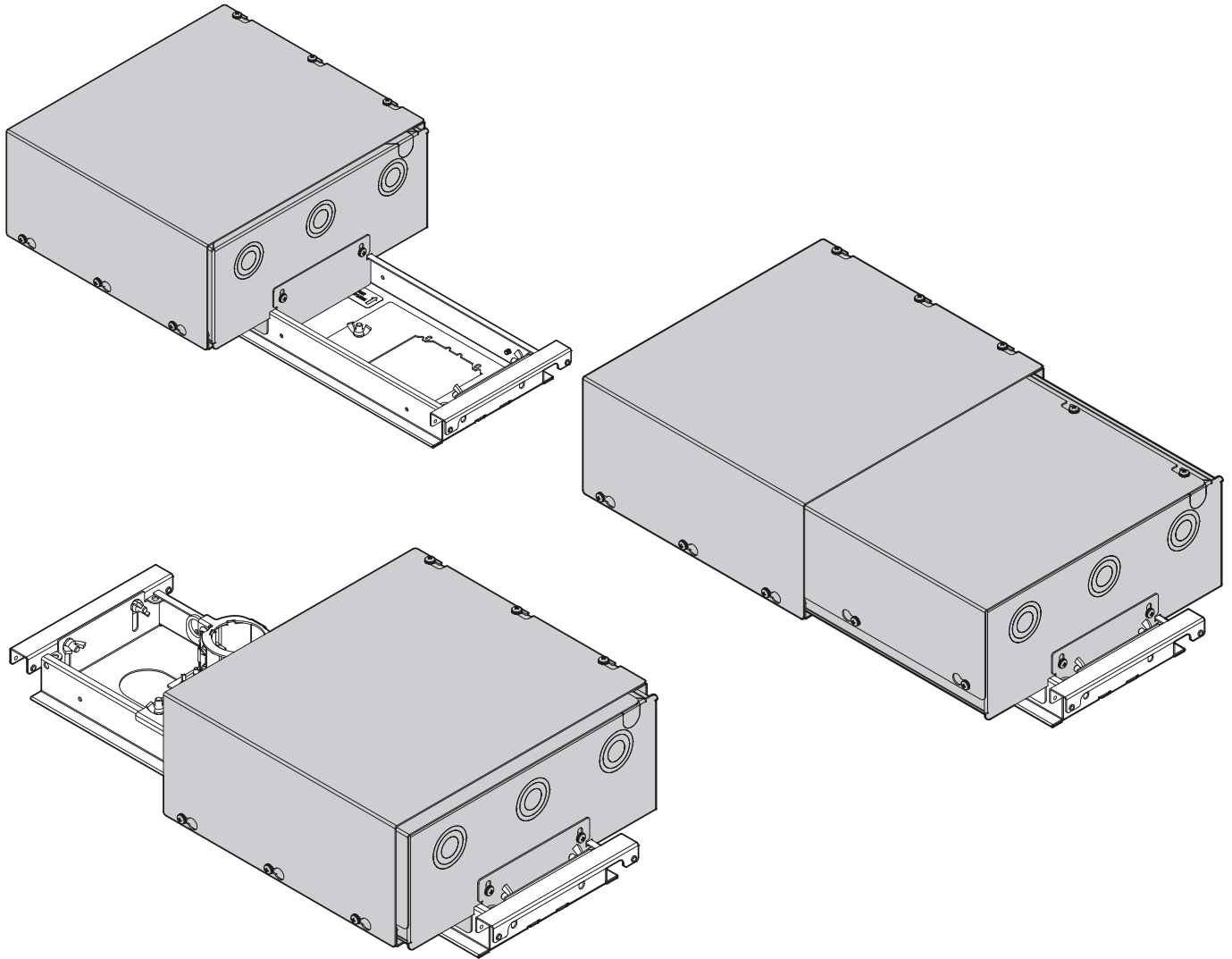


---

# INSTALLATION INSTRUCTIONS

---



---

## **SYSAU Suspended Ceiling Projector Adjustable Storage Box**

---

## DISCLAIMER

Milestone AV Technologies and its affiliated corporations and subsidiaries (collectively "Milestone"), intend to make this manual accurate and complete. However, Milestone makes no claim that the information contained herein covers all details, conditions or variations, nor does it provide for every possible contingency in connection with the installation or use of this product. The information contained in this document is subject to change without notice or obligation of any kind. Milestone makes no representation of warranty, expressed or implied, regarding the information contained herein. Milestone assumes no responsibility for accuracy, completeness or sufficiency of the information contained in this document.

Chief® is a registered trademark of Milestone AV Technologies. All rights reserved.

## DEFINITIONS

**WARNING:** A WARNING alerts you to the possibility of serious injury or death if you do not follow the instructions.

**CAUTION:** A CAUTION alerts you to the possibility of damage or destruction of equipment if you do not follow the corresponding instructions.

**MOUNTING SYSTEM:** A MOUNTING SYSTEM is the primary Chief product to which an accessory and/or component is attached.

**ACCESSORY:** AN ACCESSORY is the secondary Chief product which is attached to a primary Chief product, and may have a component attached or setting on it.

**COMPONENT:** A COMPONENT is an audiovisual item designed to be attached or resting on an accessory or mounting system such as a video camera, CPU, screen, display, projector, etc.



## IMPORTANT SAFETY INSTRUCTIONS



**WARNING:** Failure to read, thoroughly understand, and follow all instructions can result in serious personal injury, damage to equipment, or voiding of factory warranty! It is the installer's responsibility to make sure all mounts/accessories are properly assembled and installed using the instructions provided.



**WARNING:** Failure to provide adequate structural strength for this accessory can result in serious personal injury or damage to equipment! It is the installer's responsibility to make sure the structure to which this accessory is attached can support five times the combined weight of all equipment. Reinforce the structure as required before installing the accessory.



**WARNING:** Exceeding the weight capacity can result in serious personal injury or damage to equipment! It is the installer's responsibility to make sure the combined weight of all components located within the CMA474 does not exceed 35 lbs (15.9 kg), less the weight of the projector attached to the SYSAU suspended ceiling projector mount.



**WARNING:** Use this accessory only for its intended use as described in these instructions. Do not use attachments not recommended by the manufacturer.



**WARNING:** For indoor use only.



**WARNING:** Never operate this accessory if it is damaged. Return the accessory to a service center for examination and repair.



**WARNING:** All wiring should be performed by a licensed electrician following all local codes and ordinances.



**WARNING:** For A/V or ITE components to be installed and powered within the enclosure, it is necessary to provide and indicate the location of a readily accessible and operable disconnect device.

**IMPORTANT ! :** The CMA474 accessory is designed to be mounted to the Chief SYSAU suspended ceiling projector mounting system ONLY.

**IMPORTANT ! :** The CMA474 has been designed to support a single duplex electrical receptacle.

**NOTE:** It is the installer's responsibility to ensure that the enclosure is bonded to the ground in the switch box, in accordance with the National Electric Code, ANSI/NFPA 70 or Canadian Electrical Code, CSA C22.1. Two green grounding screws are included for installation in the enclosure for the purpose, if required.

**NOTE:** Spacings - To ensure safe operation of the equipment installed in the enclosure, per National Electric Code, ANSI/NFPA 70, a minimum separation between power cords and signal or communication cables may be required.

**NOTE:** This Cabinet System is for use with Listed ITE or Audio/Visual equipment only.

**NOTE:** Knockouts are provided for ease of installation. Any open knockout needs to be plugged.

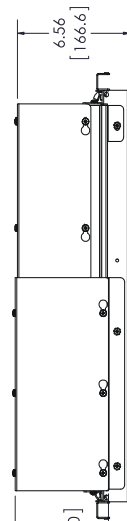
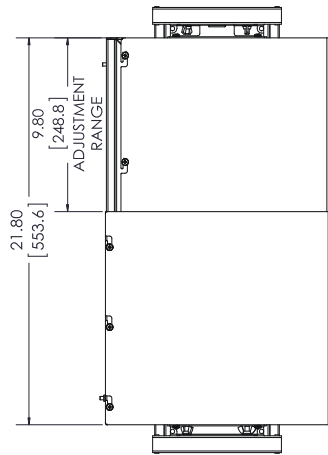
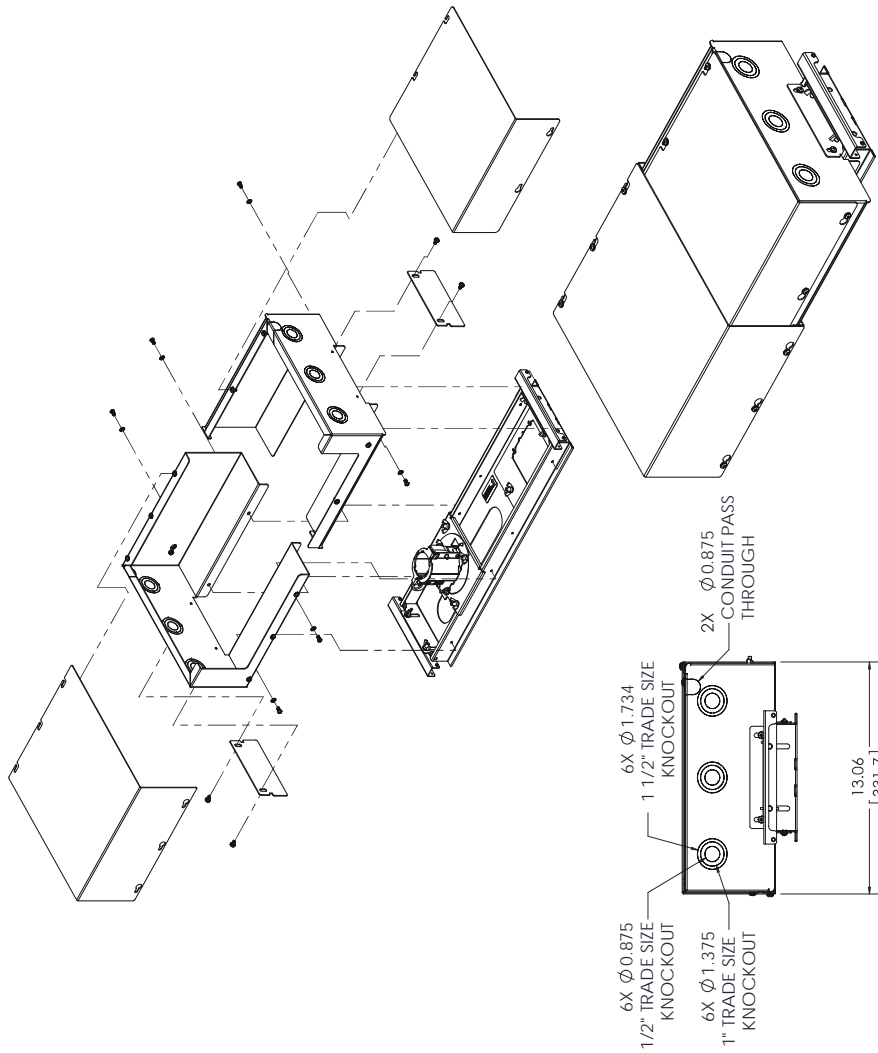
**NOTE:** When selecting a Listed 120 Vac Receptacle for use as the main power source for the CMA474 box (to power the A/V equipment), make sure that AC Receptacle is rated at least 15A and it is used in the building's AC branch circuit that is connected to a circuit breaker rated at least 15A. Do not connect more than 12A from the 15A Receptacle, or 16A from the 20A Receptacle.

In the U.S., the equipment shall be installed per the applicable requirements of the National Electrical Code, ANSI/NFPA 70.

In Canada, the equipment shall be installed per the applicable requirements of the Canadian Electrical Code, CSA C22.1.

**--SAVE THESE INSTRUCTIONS--**

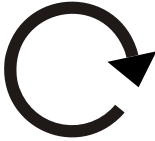

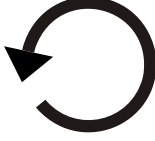


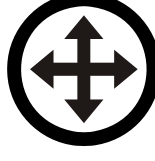






**DIMENSIONS**



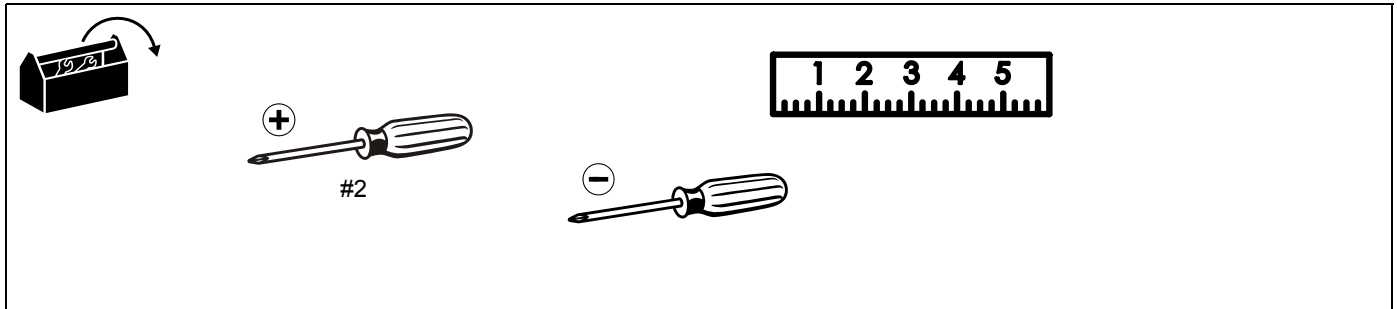
NOTE:  
1. CEILING PLATE IS SHOWN FOR REFERENCE ONLY.

DIMENSIONS: INCHES  
[MILLIMETERS]

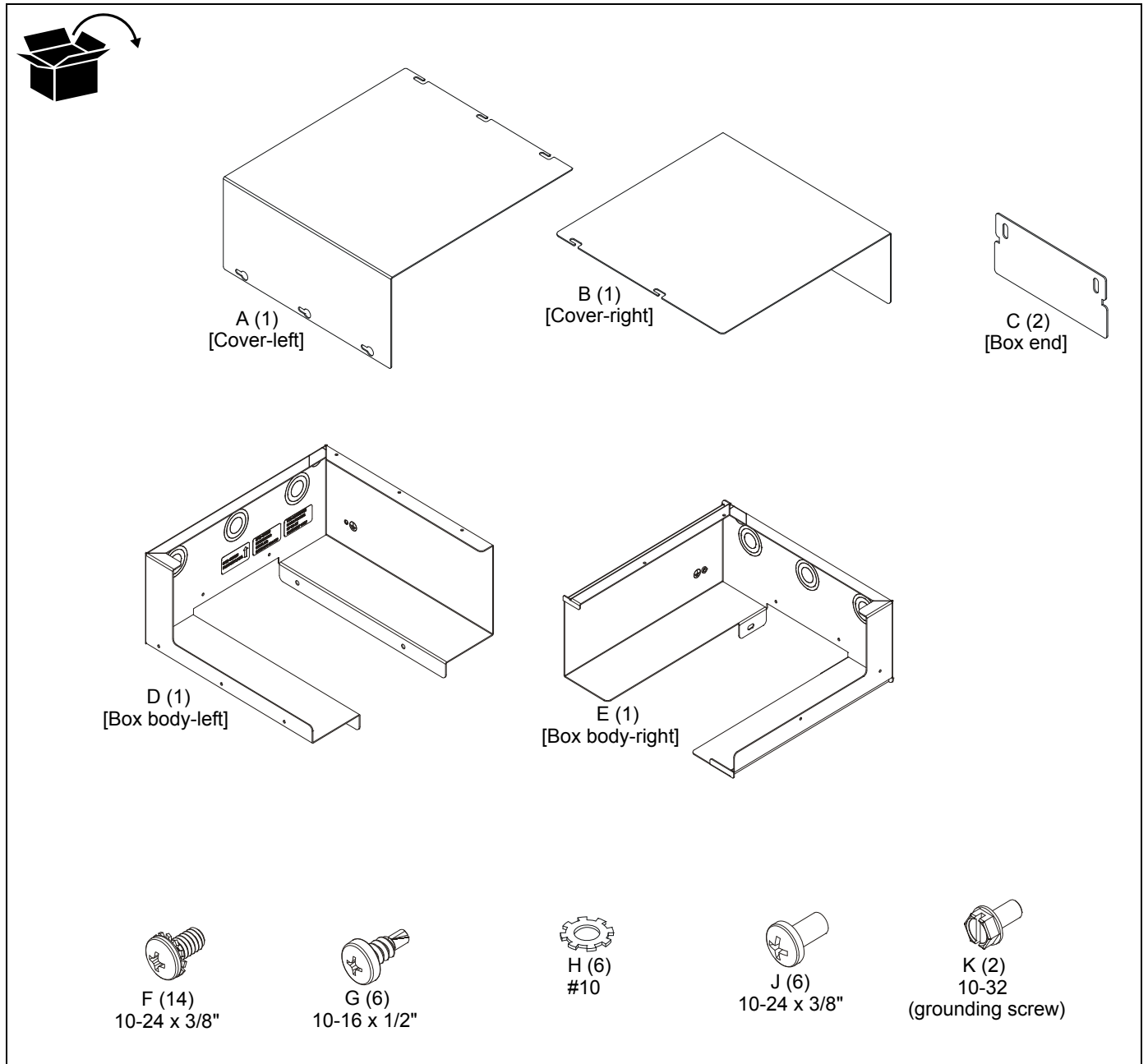
## LEGEND

	<b>Tighten Fastener</b> Apretar elemento de fijación Befestigungsteil festziehen Apertar fixador Serrare il fissaggio Bevestiging vastdraaien Serrez les fixations		<b>Pencil Mark</b> Marcar con lápiz Stiftmarkierung Marcar com lápis Segno a matita Potloodmerkteken Marquage au crayon
	<b>Loosen Fastener</b> Aflojar elemento de fijación Befestigungsteil lösen Desapertar fixador Allentare il fissaggio Bevestiging losdraaien Desserrez les fixations		<b>Drill Hole</b> Perforar Bohrloch Fazer furo Praticare un foro Gat boren Percez un trou
	<b>Phillips Screwdriver</b> Destornillador Phillips Kreuzschlitzschraubendreher Chave de fendas Phillips Cacciavite a stella Kruiskopschroevendraaier Tournevis à pointe cruciforme		<b>Adjust</b> Ajustar Einstellen Ajustar Regolare Afstellen Ajuster
	<b>Open-Ended Wrench</b> Llave de boca Gabelschlüssel Chave de bocas Chiave a punte aperte Steeksleutel Clé à fourche		<b>Remove</b> Quitar Entfernen Remover Rimuovere Verwijderen Retirez
	<b>By Hand</b> A mano Von Hand Com a mão A mano Met de hand À la main		<b>Optional</b> Opcional Optional Opcional Opzionale Optie En option
	<b>Hex-Head Wrench</b> Llave de cabeza hexagonal Sechskantschlüssel Chave de cabeça sextavada Chiave esagonale Zeskantsleutel Clé à tête hexagonale		<b>Security Wrench</b> Llave de seguridad Sicherheitsschlüssel Chave de segurança Chiave di sicurezza Veiligheidssleutel Clé de sécurité

### TOOLS REQUIRED FOR INSTALLATION

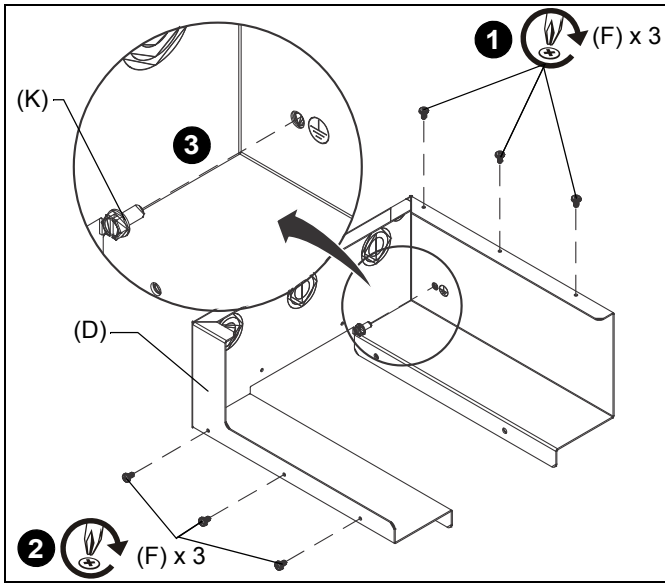


### PARTS



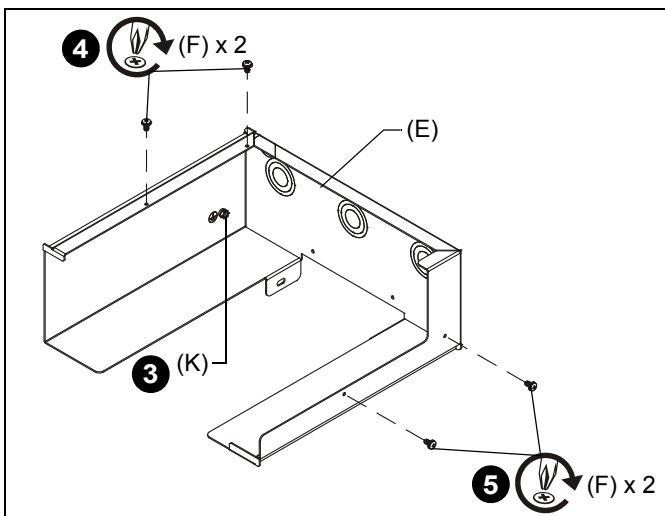
**ASSEMBLY**

1. Loosely install three 10-24 x 3/8" Phillips pan head screws with external teeth (F) into the top edge of the box body-left (D). (See Figure 1)
2. Loosely install three 10-24 x 3/8" Phillips pan head screws with external teeth (F) into the side edge of the box body-left (D). (See Figure 1)



**Figure 1**

3. Install one grounding screw (K) into box body-right (E) and -left (D). (See Figure 1) and (See Figure 2)
4. Loosely install two 10-24 x 3/8" Phillips pan head screws with external teeth (F) into the top edge of the box body-right (E). (See Figure 2)
5. Loosely install two 10-24 x 3/8" Phillips pan head screws with external teeth (F) into the side edge of the box body-right (E). (See Figure 2)

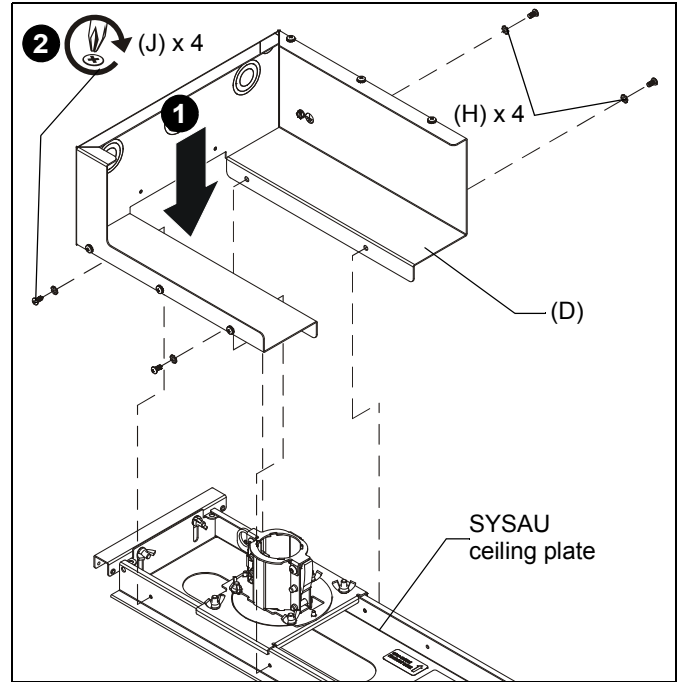


**Figure 2**

**INSTALLATION**

1. Lower box body-left (D) onto SYSAU ceiling projector mount (not included). (See Figure NOTE:)
2. Attach box body to SYSAU ceiling plate using four 10-24 x 3/8" Phillips pan tapping screws (J) through four #10 lock washers (H). (See Figure NOTE:)

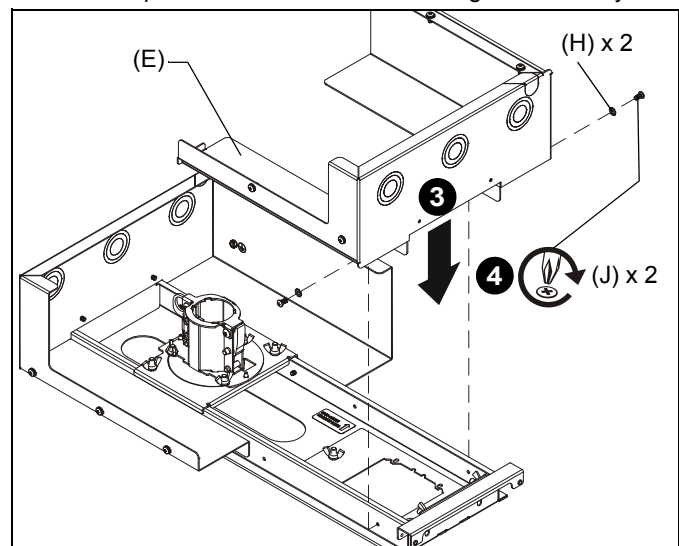
**NOTE:** Use the Phillips pan self-drilling screws (G) if not using the pre-drilled holes when attaching the box body.



**Figure 3**

3. Lower box body-right (E) onto SYSAU ceiling plate (not included). (See Figure 4)
4. Attach box body to SYSAU ceiling plate using two 10-24 x 3/8" Phillips pan tapping screws (J) through two #10 lock washers (H). (See Figure 4)

**NOTE:** Use the Phillips pan self-drilling screws (G) if not using the pre-drilled holes when attaching the box body.



**Figure 4**

5. Add components to CMA474, as necessary.
6. Fasten one box end (C) to each end of the CMA474 using two 10-24 x 3/8" Phillips pan head with external teeth (F) on each box end. (See Figure 5)

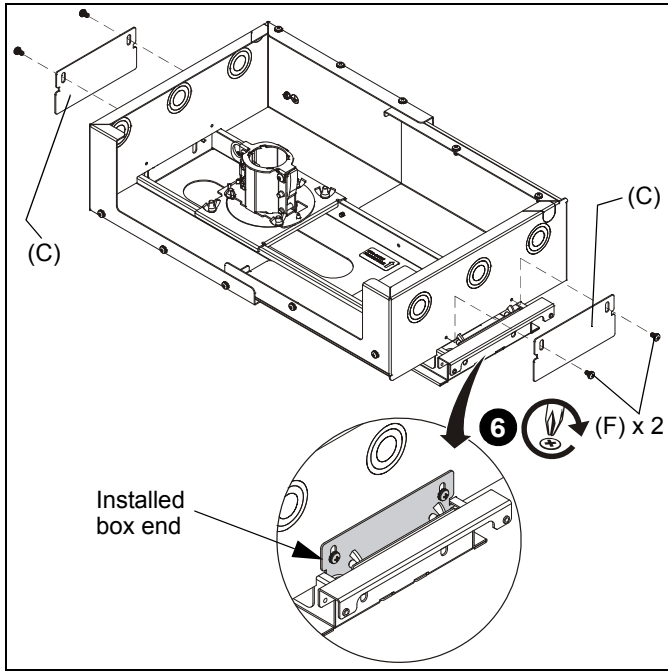


Figure 5

7. Lower cover-right (B) over box body-right (E) and place over Phillips screws fastened into box body lower and upper edges. (See Figure 6)
8. Slide cover to securely fasten over Phillips screws. (See Figure 6)

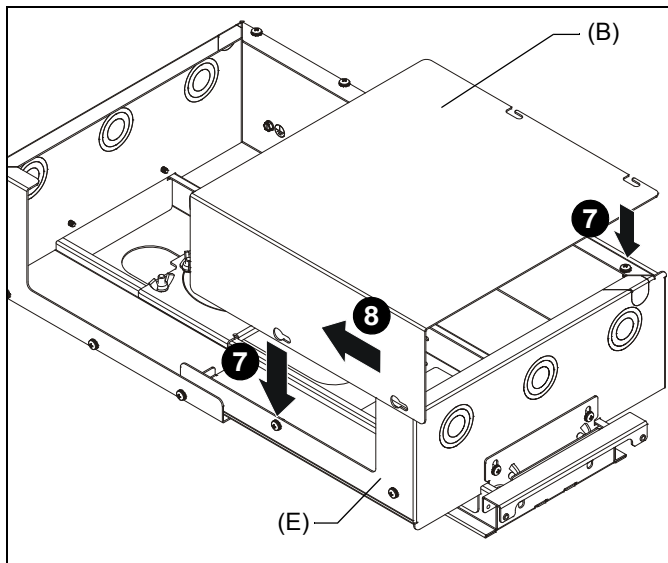


Figure 6

9. Lower cover-left (A) over box body-left (D) and place over Phillips screws fastened into box body lower and upper edges. (See Figure 7)

10. Slide cover to securely fasten over Phillips screws. (See Figure 7)

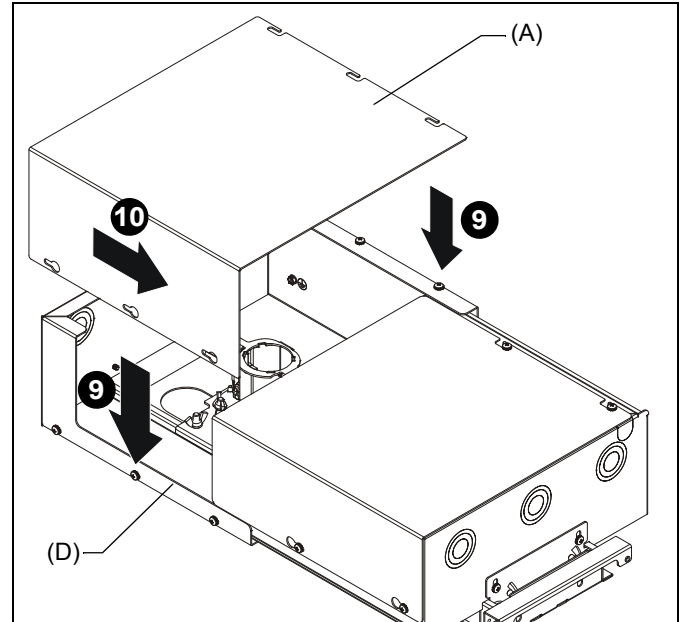


Figure 7

**Adjustments**

1. The CMA474 may adjust in length, as required. (See Figure 8)
2. The CMA474 may also be located in various locations on the SYSAU ceiling plate. (See Figure 8)

**NOTE:** Use the Phillips pan head self-drilling screws (G) when attaching the box body (left or right) to the SYSAU ceiling plate in a location other than at pre-drilled holes.

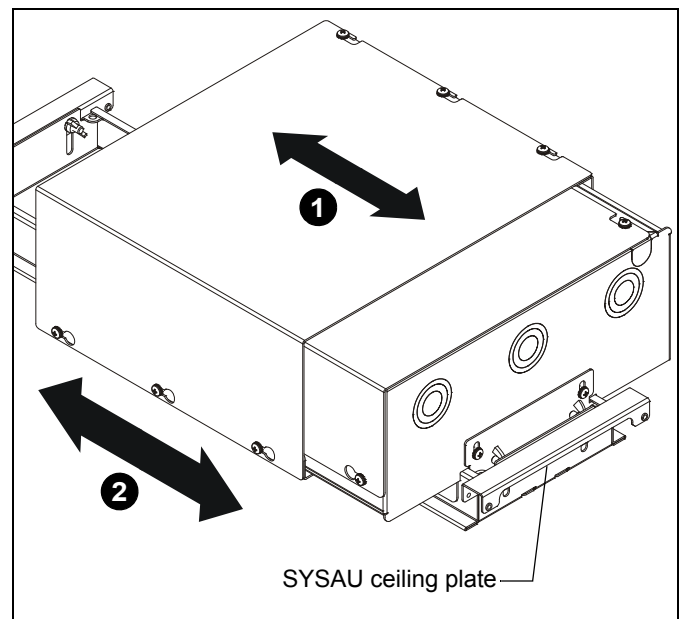


Figure 8



Our Mounts. **Your Vision.**

Chief, a products division of  
Milestone AV Technologies

8800-002805 Rev01  
©2016 Milestone AV Technologies  
[www.chiefmfg.com](http://www.chiefmfg.com)  
02/16

<b>USA/International</b>	<b>A</b> 6436 City West Parkway, Eden Prairie, MN 55344 <b>P</b> 800.582.6480 / 952.225.6000 <b>F</b> 877.894.6918 / 952.894.6918
<b>Europe</b>	<b>A</b> Franklinstraat 14, 6003 DK Weert, Netherlands <b>P</b> +31 (0) 495 580 852 <b>F</b> +31 (0) 495 580 845
<b>Asia Pacific</b>	<b>A</b> Office No. 918 on 9/F, Shatin Galleria 18-24 Shan Mei Street Fotan, Shatin, Hong Kong <b>P</b> 852 2145 4099 <b>F</b> 852 2145 4477

