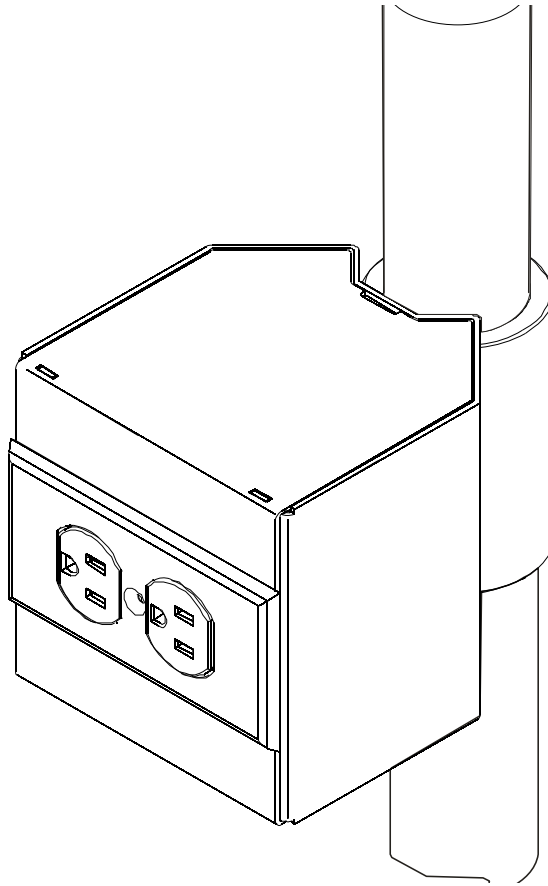

INSTALLATION INSTRUCTIONS



Single Electric Outlet Coupler Kit

DISCLAIMER

CSAV, Inc., and its affiliated corporations and subsidiaries (collectively, "CSAV"), intend to make this manual accurate and complete. However, CSAV makes no claim that the information contained herein covers all details, conditions or variations, nor does it provide for every possible contingency in connection with the installation or use of this product. The information contained in this document is subject to change without notice or obligation of any kind. CSAV makes no representation of warranty, expressed or implied, regarding the information contained herein. CSAV assumes no responsibility for accuracy, completeness or sufficiency of the information contained in this document.

! IMPORTANT WARNINGS AND CAUTIONS!

! WARNING: A WARNING alerts you to the possibility of serious injury or death if you do not follow the instructions.

! CAUTION: A CAUTION alerts you to the possibility of damage or destruction of equipment if you do not follow the corresponding instructions.

! WARNING: Failure to read, thoroughly understand, and follow all instructions can result in serious personal injury, damage to equipment, or voiding of factory warranty! It is the installer's responsibility to make sure all components are properly assembled and installed using the instructions provided.

! WARNING: Failure to provide adequate structural strength for the installation of this kit can result in serious personal injury or damage to equipment! It is the installer's responsibility to make sure the structure to which this mount is attached can support five times the combined weight of all equipment.

! WARNING: IMPROPER INSTALLATION CAN LEAD TO SERIOUS PERSONAL INJURY OR DEATH! ALL wiring must be installed by a qualified electrician and be in accordance with all applicable local codes.

LEGEND

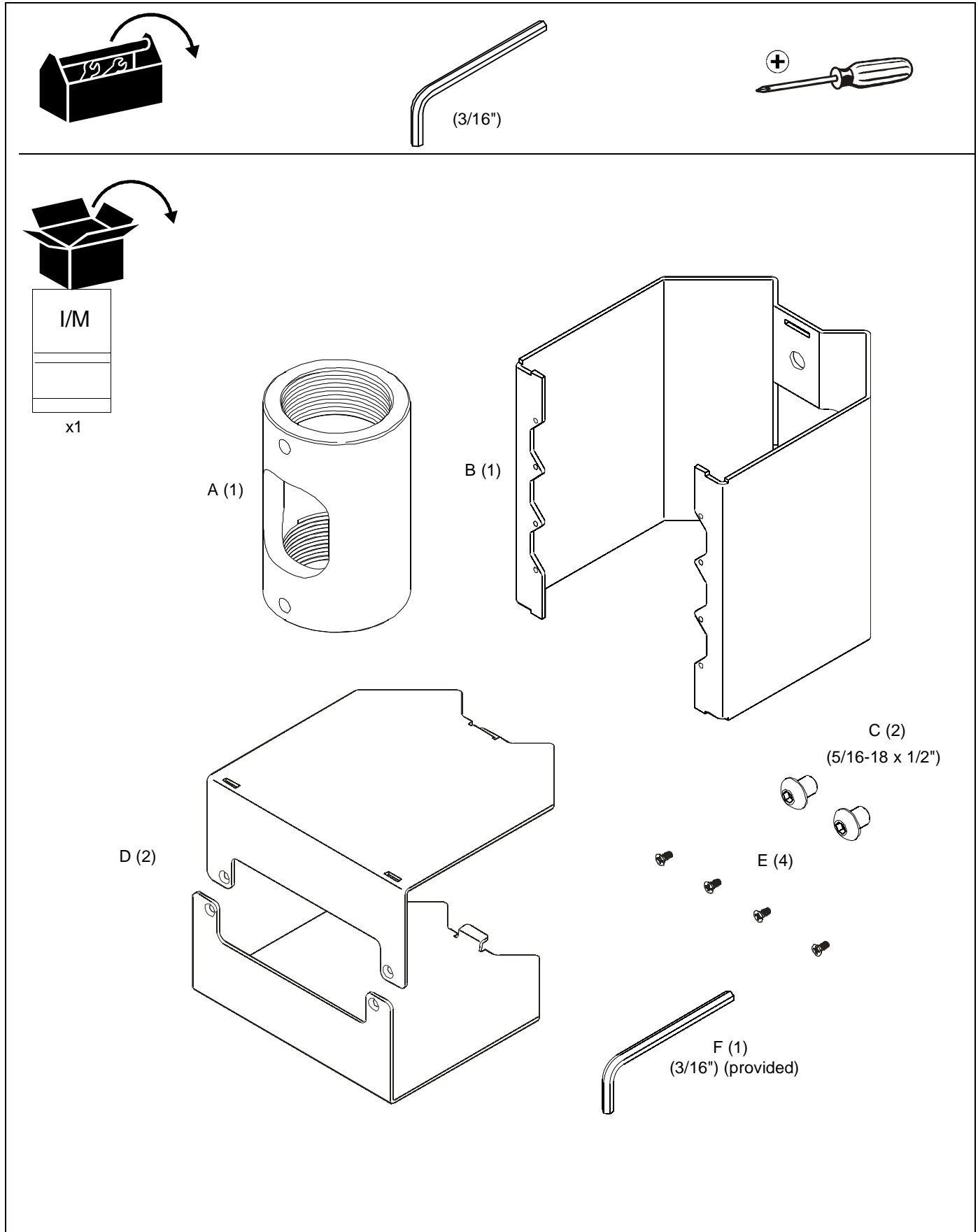
	Tighten Fastener
	Apretar elemento de fijación
	Befestigungsteil festziehen
	Apertar fixador
	Serrare il fissaggio
	Bevestiging vastdraaien
	Serrez les fixations
	Сожмите Застежку

	Loosen Fastener
	Aflojar elemento de fijación
	Befestigungsteil lösen
	Desapertar fixador
	Allentare il fissaggio
	Bevestiging losdraaien
	Desserrez les fixations
	Ослабьте Застежку

	Hex-Head Wrench
	Llave de cabeza hexagonal
	Sechskantschlüssel
	Chave de cabeça sextavada
	Chiave esagonale
	Zeskantsleutel
	Clé à tête hexagonale
	Главный ведемой Рывок

	Phillips Screwdriver
	Destornillador Phillips
	Kreuzschlitzschraubendreher
	Chave de fendas Phillips
	Cacciavite a stella
	Kruiskopschroevendraaier
	Tournevis à pointe cruciforme
	Отвертка

TOOLS REQUIRED FOR INSTALLATION AND PARTS



Installation

⚠ WARNING: IMPROPER INSTALLATION CAN LEAD TO SERIOUS PERSONAL INJURY OR DEATH! ALL wiring must be installed by a qualified electrician and be in accordance with all applicable local codes.

1. Thread coupling onto 1 1/2" NPT pipe making sure opening in coupling is facing in the desired direction of outlet. (See Figure 1)

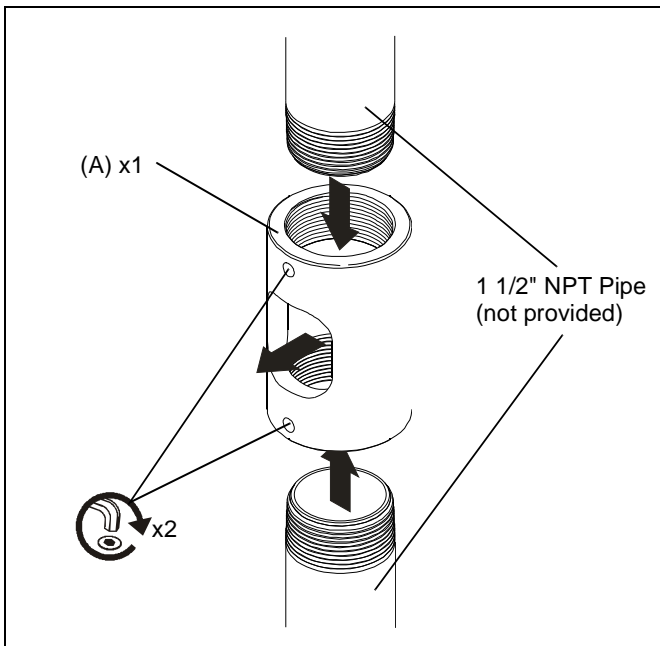


Figure 1

2. Secure mounting plate (B) to coupling using two button head cap screws (C). (See Figure 2)

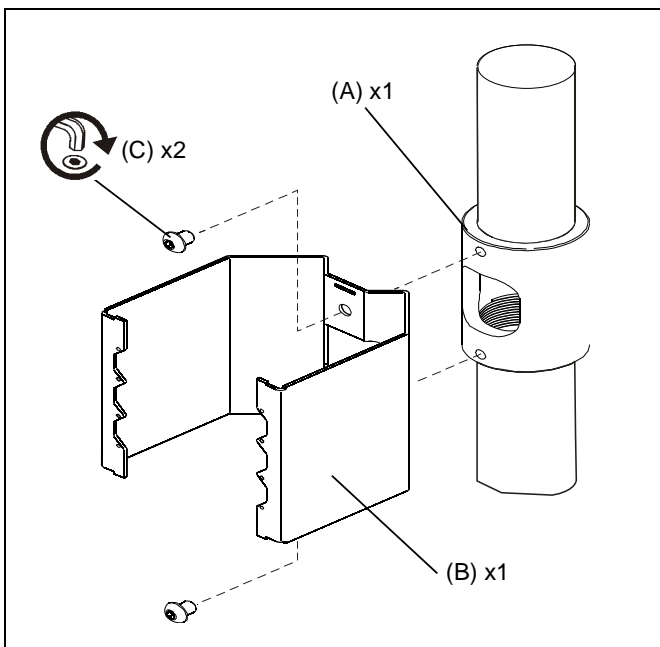


Figure 2

3. Orient J-Box as shown below and remove knockout from back side. (See Figure 3)
4. Slide J-Box into mounting plate (B). (See Figure 3)

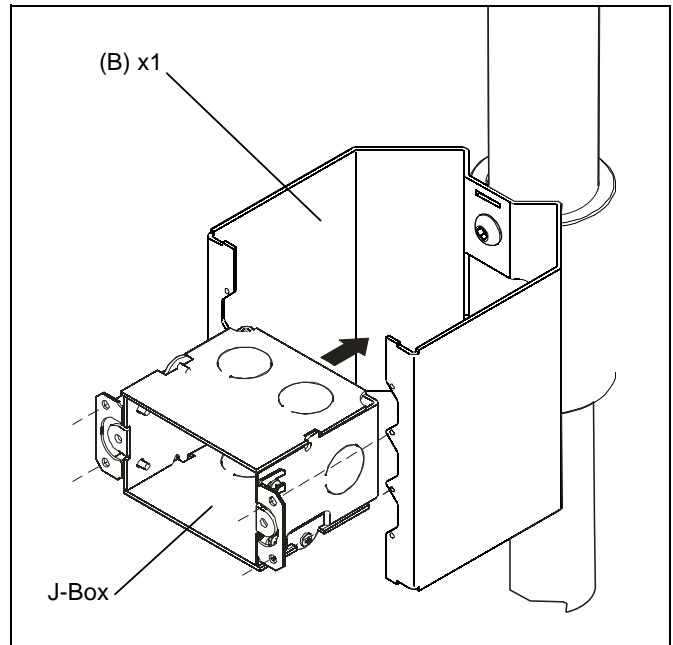


Figure 3

5. Align two mounting holes in J-Box with two center mounting holes in mounting plate (B). (See Figure 4)
6. Route wires through 1 1/2" NPT pipe, through hole in front of coupling (A) and into J-Box. (See Figure 4)

⚠ WARNING: IMPROPER INSTALLATION CAN LEAD TO SERIOUS PERSONAL INJURY OR DEATH! ALL wiring must be installed by a qualified electrician and be in accordance with all applicable local codes.

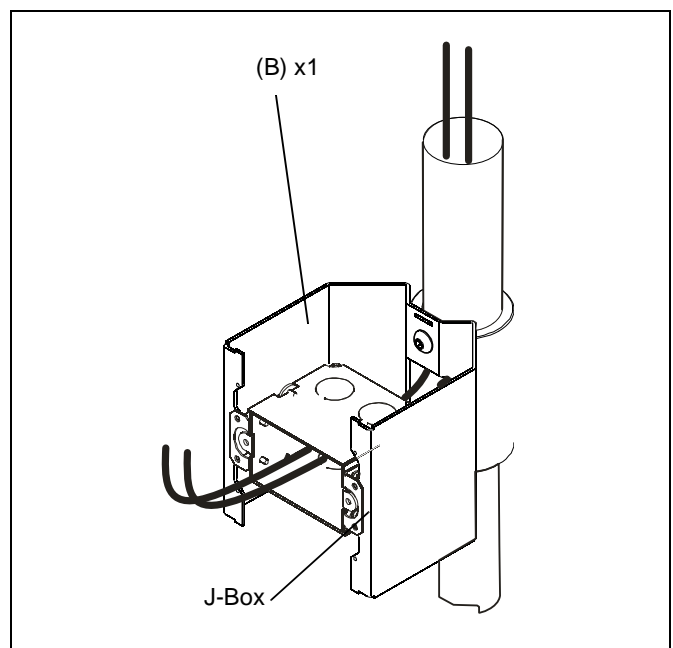


Figure 4

7. Install Top and Bottom cover to mounting plate making sure mounting tabs on mounting plate slide into slots in covers and mounting holes in mounting tabs on covers align with mounting holes in J-box. (See Figure 5)

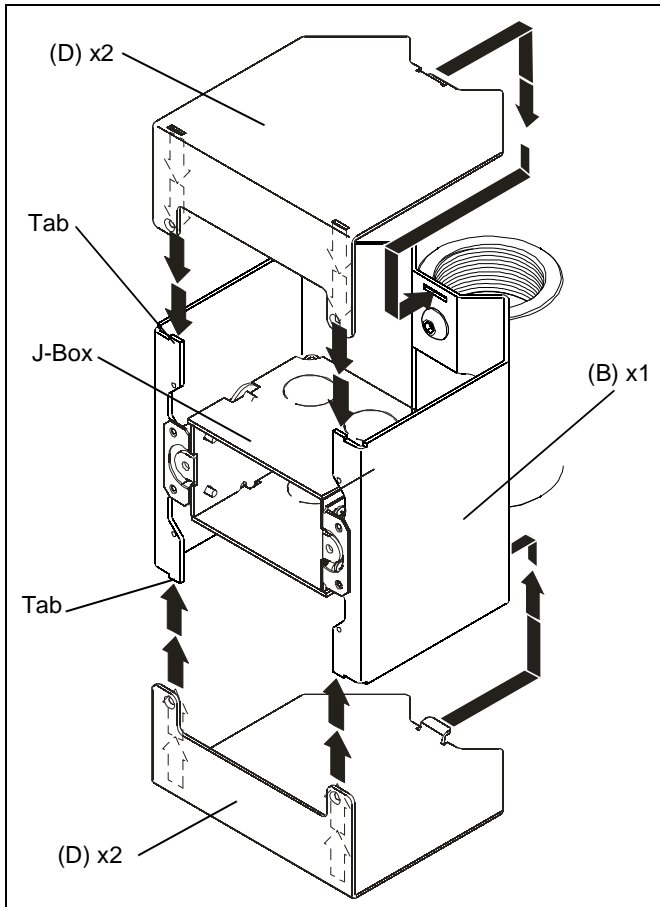


Figure 5

8. Secure top and Bottom covers (D) to mounting plate (B) using four Phillips flat head screws (E).

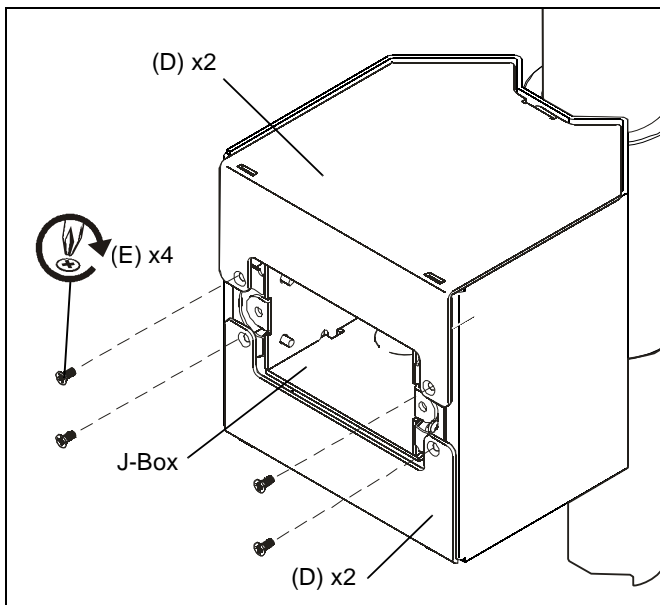


Figure 6

9. Connect wires to plug and secure plug to J-Box using two Phillips pan head screws (provided with plug). (See Figure 7)



WARNING: IMPROPER INSTALLATION CAN LEAD TO SERIOUS PERSONAL INJURY OR DEATH! ALL wiring must be installed by a qualified electrician and be in accordance with all applicable local codes.

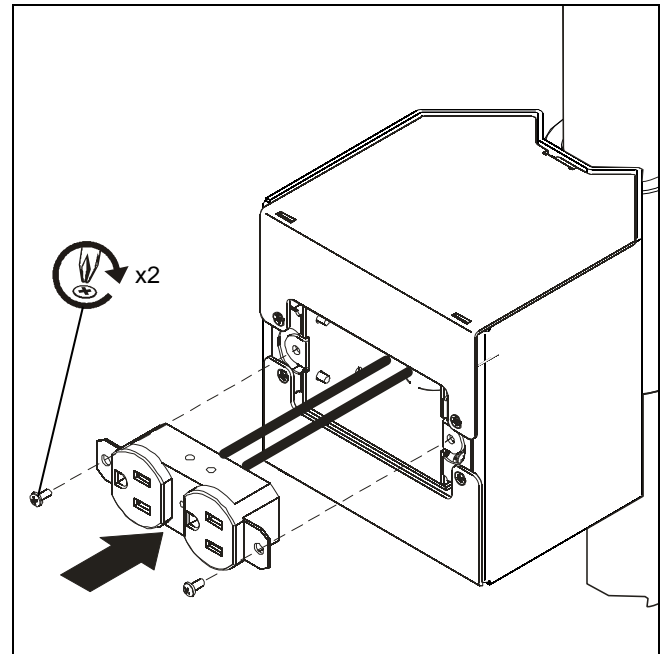


Figure 7

10. Secure cover to plug assembly using two Phillips pan head screws (provided with cover). (See Figure 8)

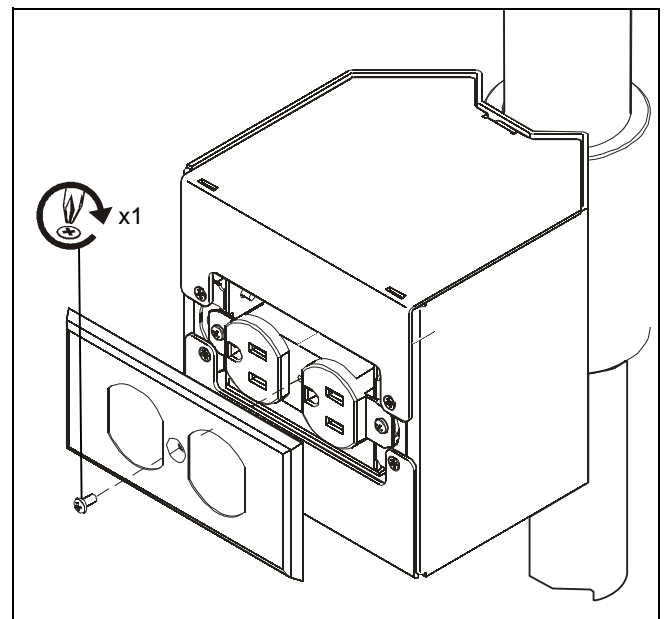


Figure 8

Installation is now complete



8803-000089
©2007 Chief Manufacturing
www.chiefmfg.com
06/07

USA/International	A 8401 Eagle Creek Parkway, Savage, MN 55378 P 800.582.6480 / 952.894.6280 F 877.894.6918 / 952.894.6918
Europe	A Fellenoord 130 5611 ZB EINDHOVEN, The Netherlands P +31 40 2668620 F +31 (0) 40 2668615
Asia Pacific	A Room 301, Block D, Lily YinDu International Building LuoGang, BuJi Town, Shenzhen, CHINA. Post Code: 518112 深圳市布吉罗岗百合银都国际大厦D栋301 P +86-755-8996 9226 ; 8996 9236 ; 8996 9220 F +86-755-8996 9217