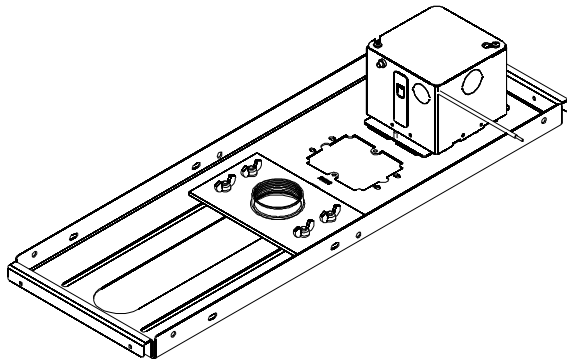


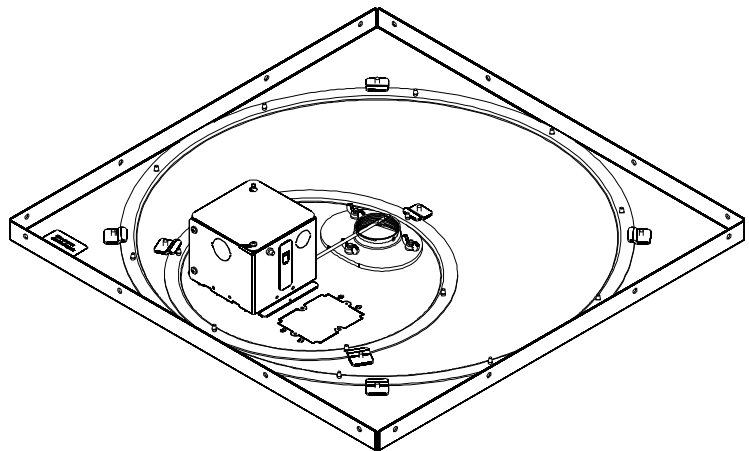
---

# INSTALLATION INSTRUCTIONS ADDENDUM

---



**CMS440N**



**CMS445N**

---

## Above-Tile and Ceiling Tile Kits

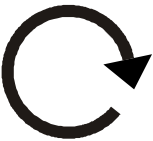


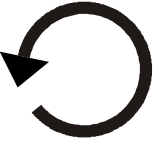
---

## DISCLAIMER

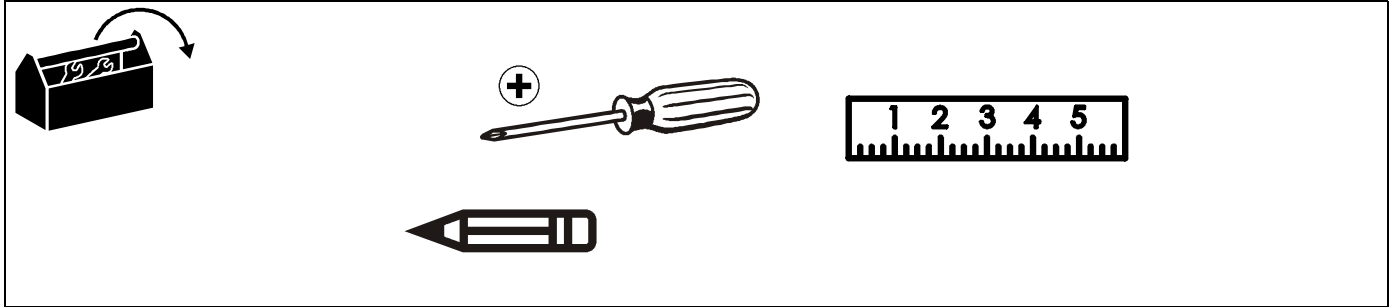
Milestone AV Technologies, and its affiliated corporations and subsidiaries (collectively, "Milestone"), intend to make this manual accurate and complete. However, Milestone makes no claim that the information contained herein covers all details, conditions or variations, nor does it provide for every possible contingency in connection with the installation or use of this product. The information contained in this document is subject to change without notice or obligation of any kind. Milestone makes no representation of warranty, expressed or implied, regarding the information contained herein. Milestone assumes no responsibility for accuracy, completeness or sufficiency of the information contained in this document.

Chief® is a registered trademark of Milestone AV Technologies. All rights reserved.

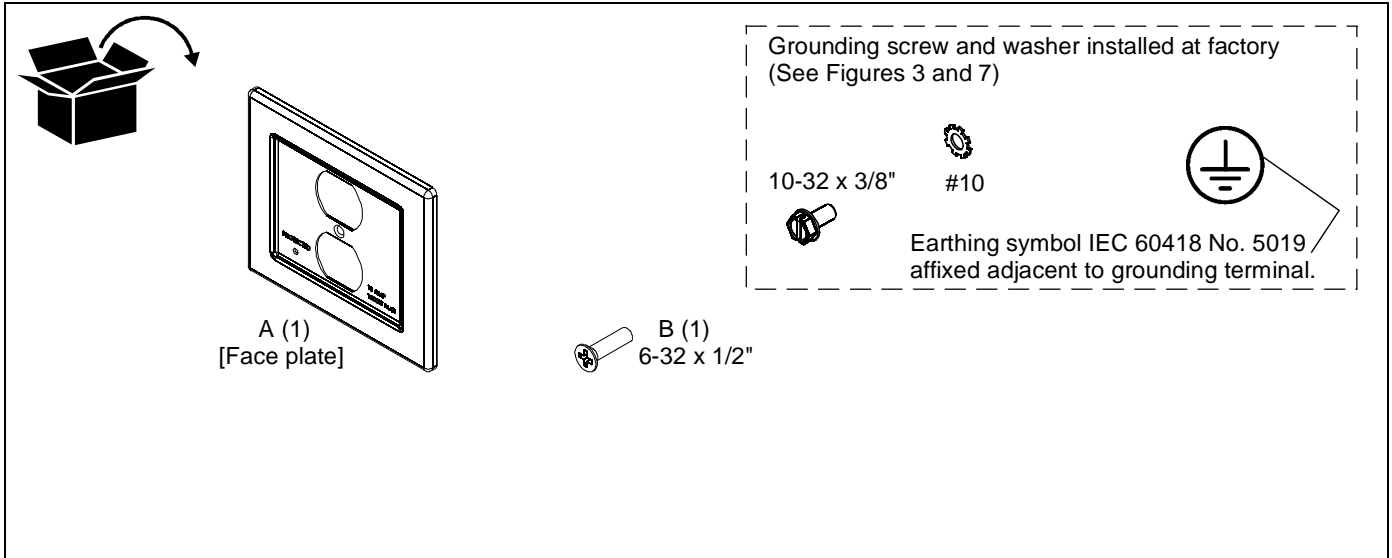
## LEGEND

	<b>Tighten Fastener</b>		<b>Pencil Mark</b>
	Apretar elemento de fijación		Marcar con lápiz
	Befestigungsteil festziehen		Stiftmarkierung
	Apertar fixador		Marcar com lápis
	Serrare il fissaggio		Segno a matita
	Bevestiging vastdraaien		Potloodmerkten
Serrez les fixations	Marquage au crayon		<b>Phillips Screwdriver</b>
	<b>Loosen Fastener</b>		Destornillador Phillips
	Aflojar elemento de fijación		Kreuzschlitzschraubendreher
	Befestigungsteil lösen		Chave de fendas Phillips
	Desapertar fixador		Cacciavite a stella
	Allentare il fissaggio		Kruiskopschroevendraaier
	Bevestiging losdraaien	Tournevis à pointe cruciforme	
Desserrez les fixations			

### TOOLS REQUIRED FOR INSTALLATION



### ADDITIONAL PARTS



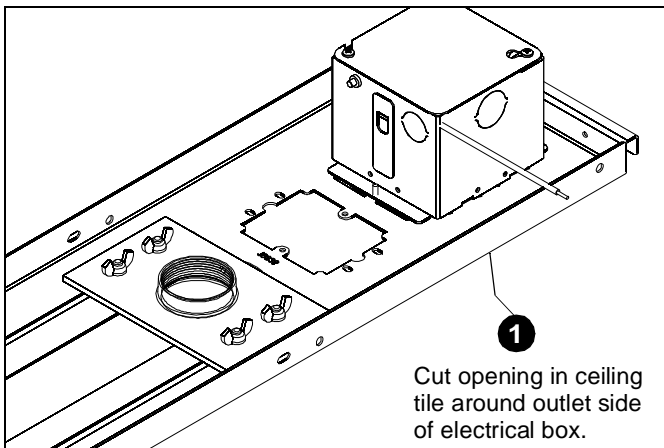
**⚠ WARNING:** IMPROPER INSTALLATION CAN RESULT IN DEATH OR SERIOUS PERSONAL INJURY! This accessory should be installed by qualified personnel.

**IMPORTANT ! :** In addition to the CMS440 and CMS445 installation instructions accompanying the products, the following steps must also be taken when installing the **CMS440N** and **CMS445N**.

A 15 Amp duplex outlet (not included) may be installed into the CMS440N and CMS445N, and the CMS440/445N must then be connected to a 15 Amp branch circuit.

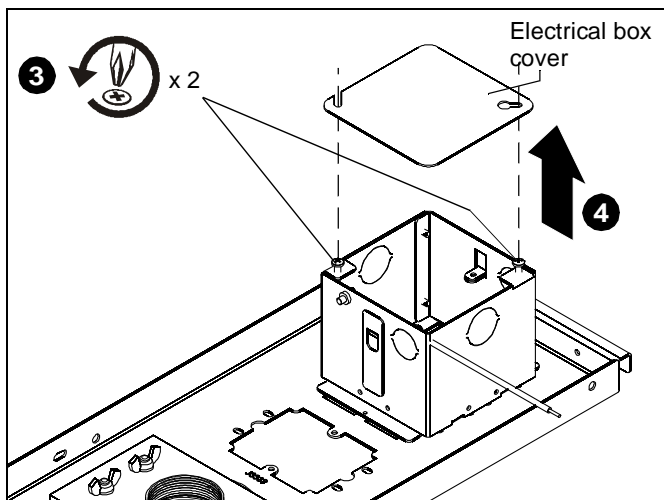
**CMS440N**

1. Cut a hole in the ceiling tile around the outlet side of the electrical box so that the ceiling tile will fit over the CMS440N. (See Figure 1)



**Figure 1**

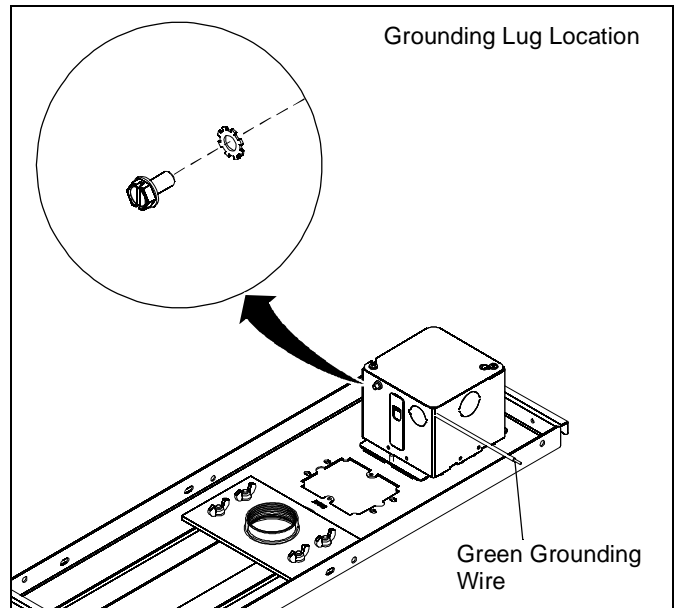
2. Install a 15 Amp duplex outlet (not included) into the electrical box.
3. Loosen two Phillips head screws on the electrical box.
4. Remove electrical box cover. (See Figure 2)



**Figure 2**

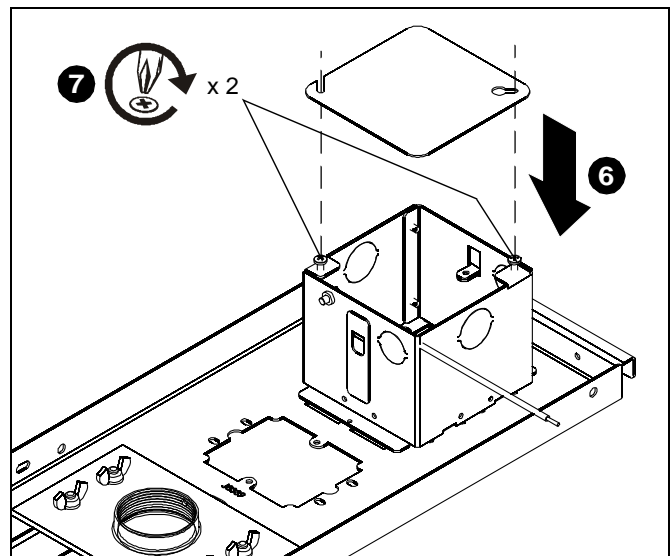
**⚠ WARNING:** IMPROPER WIRING CAN LEAD TO DEATH OR SEVERE PERSONAL INJURY! Grounding must be installed by qualified personnel using a UL Recognized No. 12AWG Green grounding wire connected to grounding lug on box.

**⚠ WARNING:** ELECTRICAL SHOCK HAZARD! Turn off power to device before performing service.



**Figure 3**

5. Wire the CMS440N as required.
6. Replace the electrical box cover. (See Figure 4)
7. Tighten two Phillips head screws in electrical box cover.



**Figure 4**

- Attach face plate (A) using one 6-32 x 1/2" Phillips flat head screw (B) after the CMS440N has been installed. (See Figure 5)

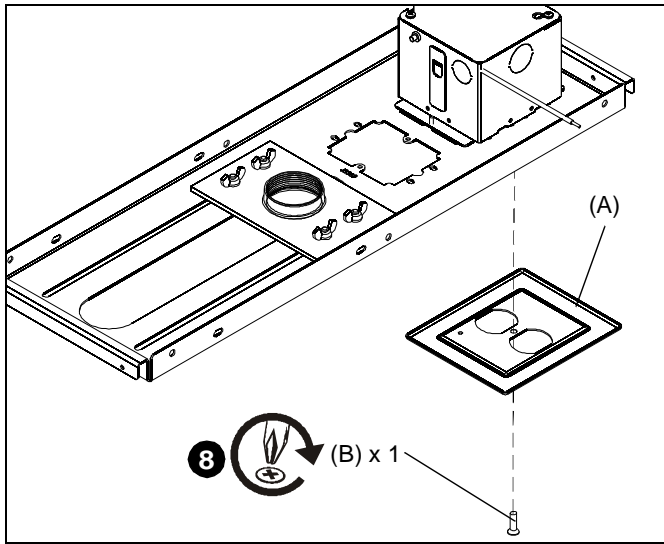


Figure 5

**CMS445N**

- Install a 15 Amp duplex outlet (not included) into the electrical box.
- Loosen two Phillips head screws on the electrical box.
- Remove electrical box cover. (See Figure 6)

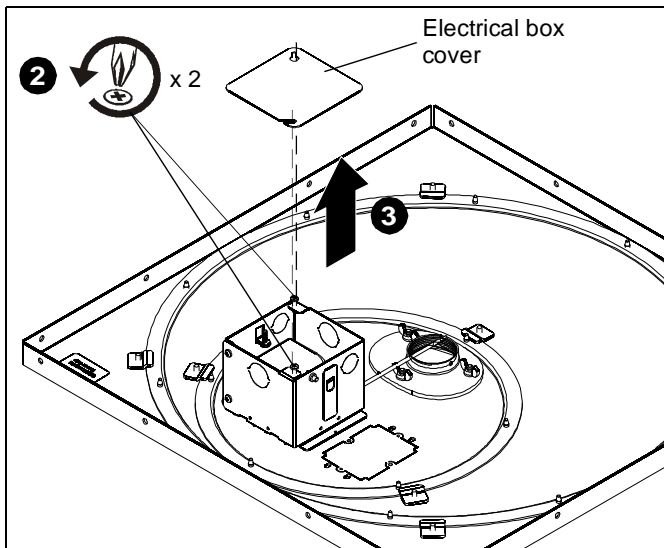


Figure 6

**WARNING:** ELECTRICAL SHOCK HAZARD! Turn off power to device before performing service.

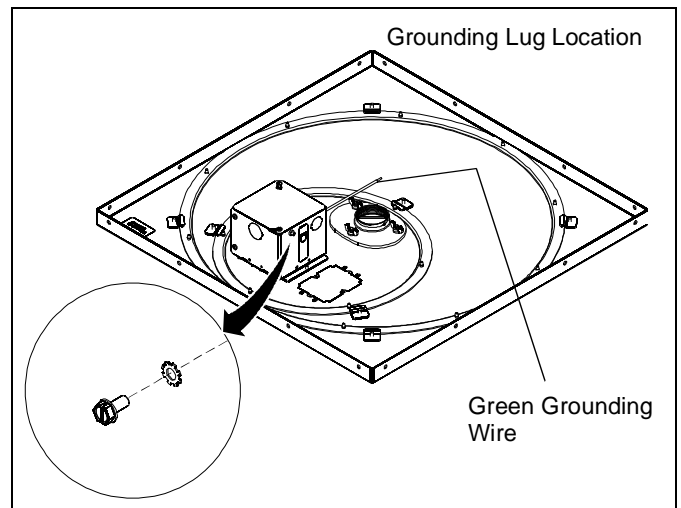


Figure 7

- Wire the CMS445N as required.
- Replace the electrical box cover. (See Figure 8)
- Tighten two Phillips head screws in electrical box cover.

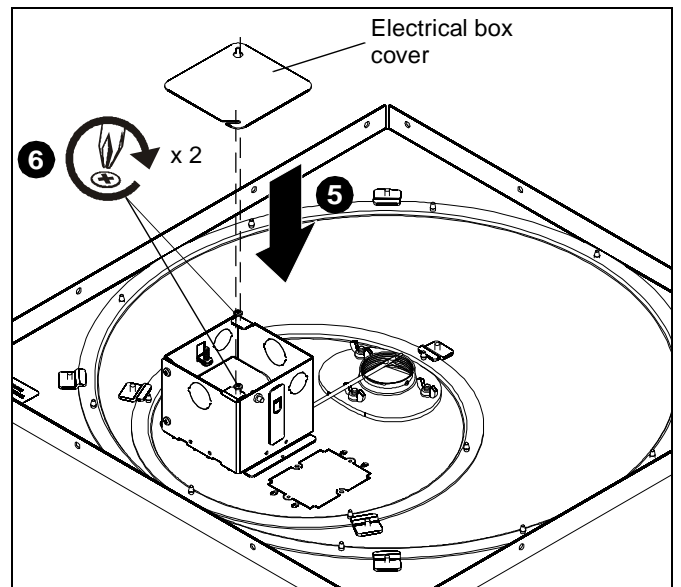


Figure 8

**WARNING:** IMPROPER WIRING CAN LEAD TO DEATH OR SEVERE PERSONAL INJURY! Grounding must be installed by qualified personnel using a UL Recognized No. 12AWG Green grounding wire connected to grounding lug on box.

7. Attach face plate (A) using one 6-32 x 1/2" Phillips flat head screw (B) after the CMS445N has been installed. (See Figure 9)

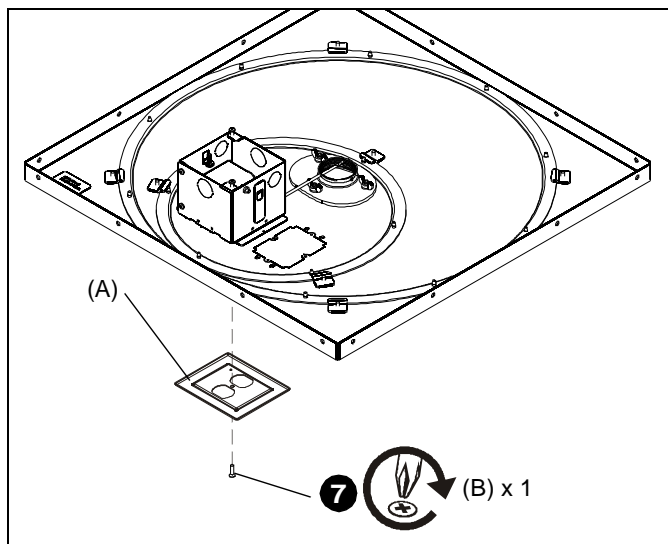


Figure 9





Our Mounts. **Your Vision.**

Chief Manufacturing, a products division  
of Milestone AV Technologies

8803-002026 Rev00

©2011 Milestone AV Technologies, a  
Duchossois Group Company

[www.chiefmfg.com](http://www.chiefmfg.com)

08/11

**USA/International**

**A** 8401 Eagle Creek Parkway, Savage, MN 55378

**P** 800.582.6480 / 952.894.6280

**F** 877.894.6918 / 952.894.6918

**Europe**

**A** Fellenoord 130 5611 ZB EINDHOVEN, The Netherlands

**P** +31 (0)40 2668620

**F** +31 (0)40 2668615

**Asia Pacific**

**A** Office No. 1 on 12/F, Shatin Galleria  
18-24 Shan Mei Street

Fotan, Shatin, Hong Kong

**P** 852 2145 4099

**F** 852 2145 4477

