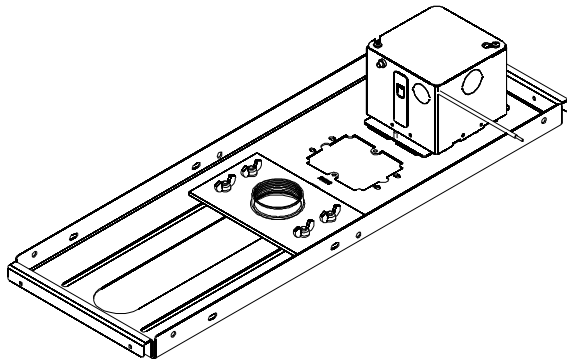
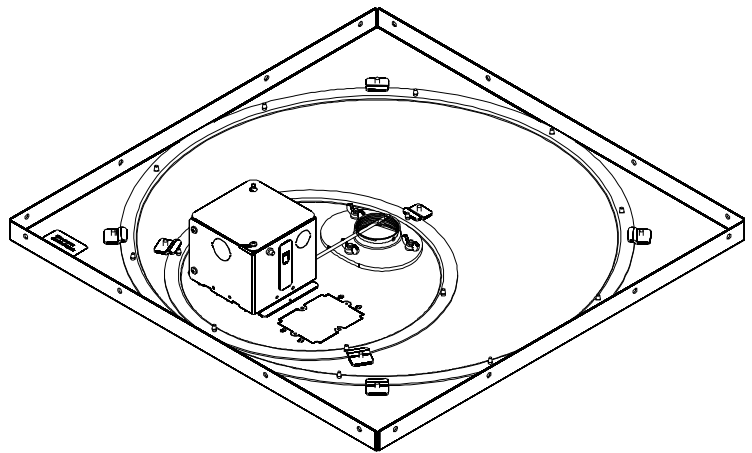

INSTALLATION INSTRUCTIONS ADDENDUM



CMS440P



CMS445P

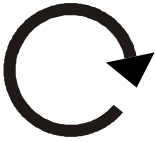

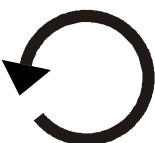



Above-Tile and Ceiling Tile Kits

DISCLAIMER

Milestone AV Technologies, and its affiliated corporations and subsidiaries (collectively, "Milestone"), intend to make this manual accurate and complete. However, Milestone makes no claim that the information contained herein covers all details, conditions or variations, nor does it provide for every possible contingency in connection with the installation or use of this product. The information contained in this document is subject to change without notice or obligation of any kind. Milestone makes no representation of warranty, expressed or implied, regarding the information contained herein. Milestone assumes no responsibility for accuracy, completeness or sufficiency of the information contained in this document.

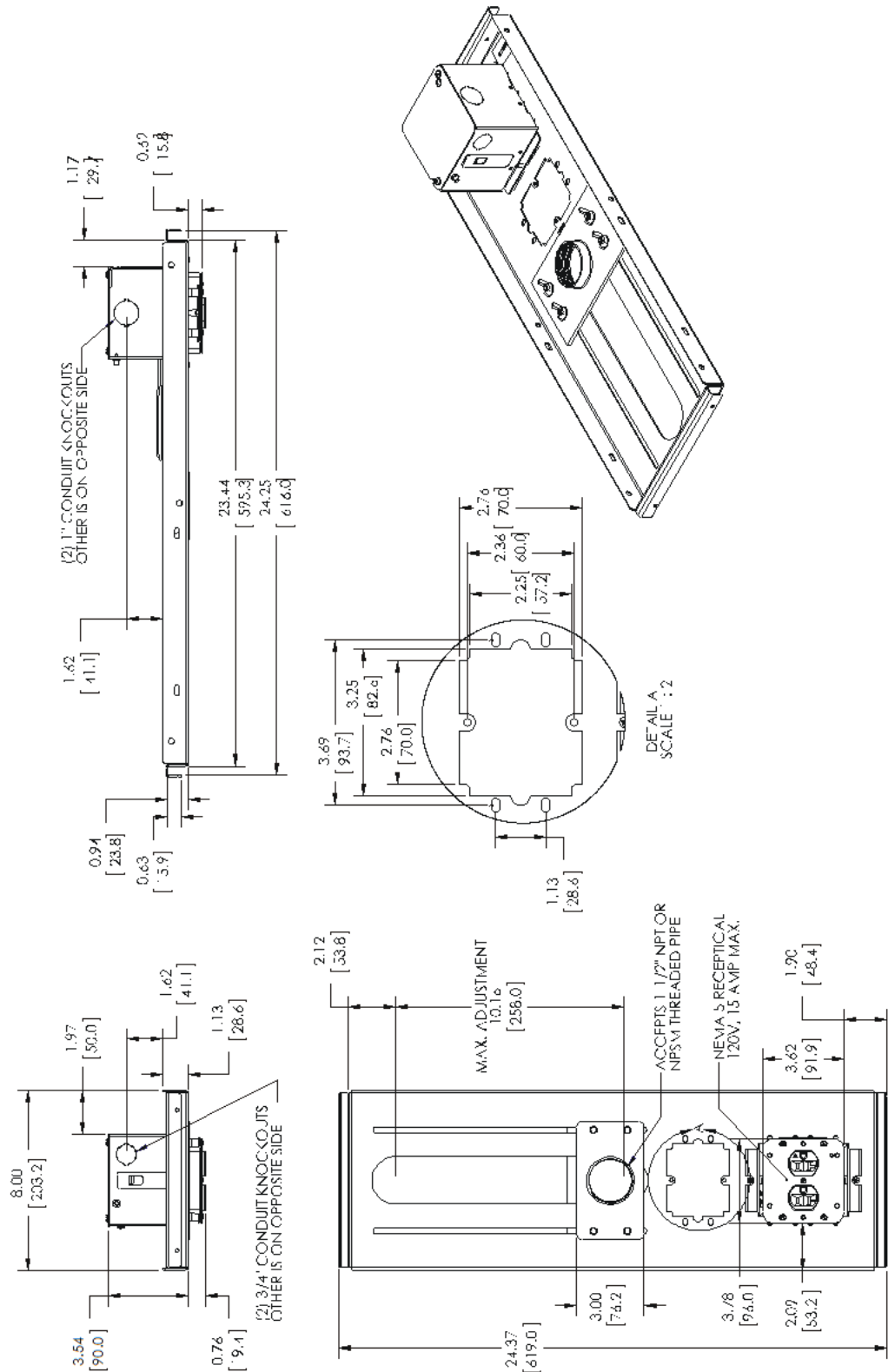
Chief® is a registered trademark of Milestone AV Technologies. All rights reserved.

LEGEND

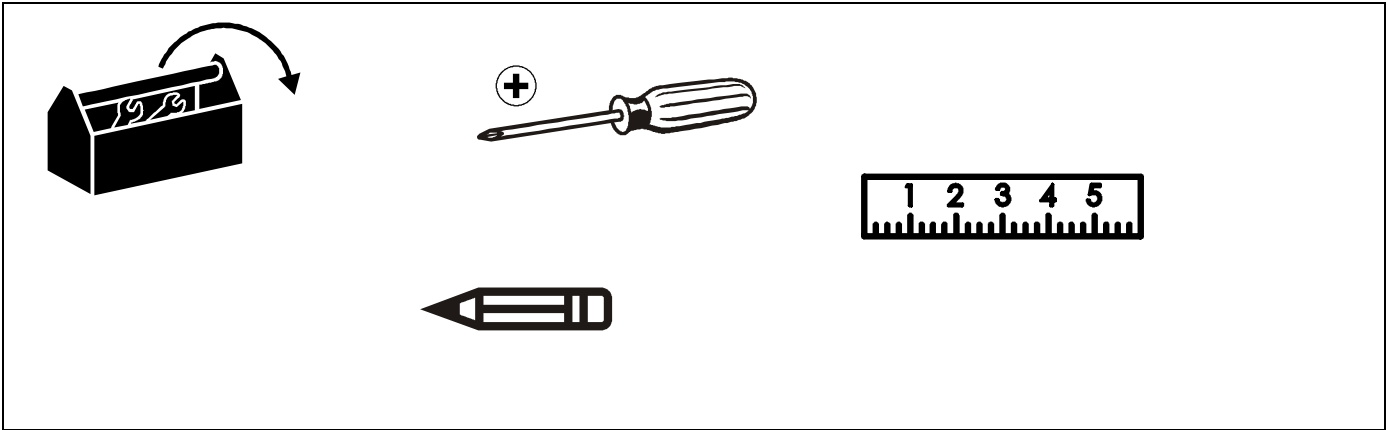
	Tighten Fastener Apretar elemento de fijación Befestigungsteil festziehen Apertar fixador Serrare il fissaggio Bevestiging vastdraaien Serrez les fixations		Pencil Mark Marcar con lápiz Stiftmarkierung Marcar com lápis Segno a matita Potloodmerkten Marquage au crayon
	Loosen Fastener Aflojar elemento de fijación Befestigungsteil lösen Desapertar fixador Allentare il fissaggio Bevestiging losdraaien Desserrez les fixations		Drill Hole Perforar Bohrloch Fazer furo Praticare un foro Gat boren Percez un trou
	Phillips Screwdriver Destornillador Phillips Kreuzschlitzschraubendreher Chave de fendas Phillips Cacciavite a stella Kruiskopschroevendraaier Tournevis à pointe cruciforme		Adjust Ajustar Einstellen Ajustar Regolare Afstellen Ajuster

DIMENSIONS - CMS440P

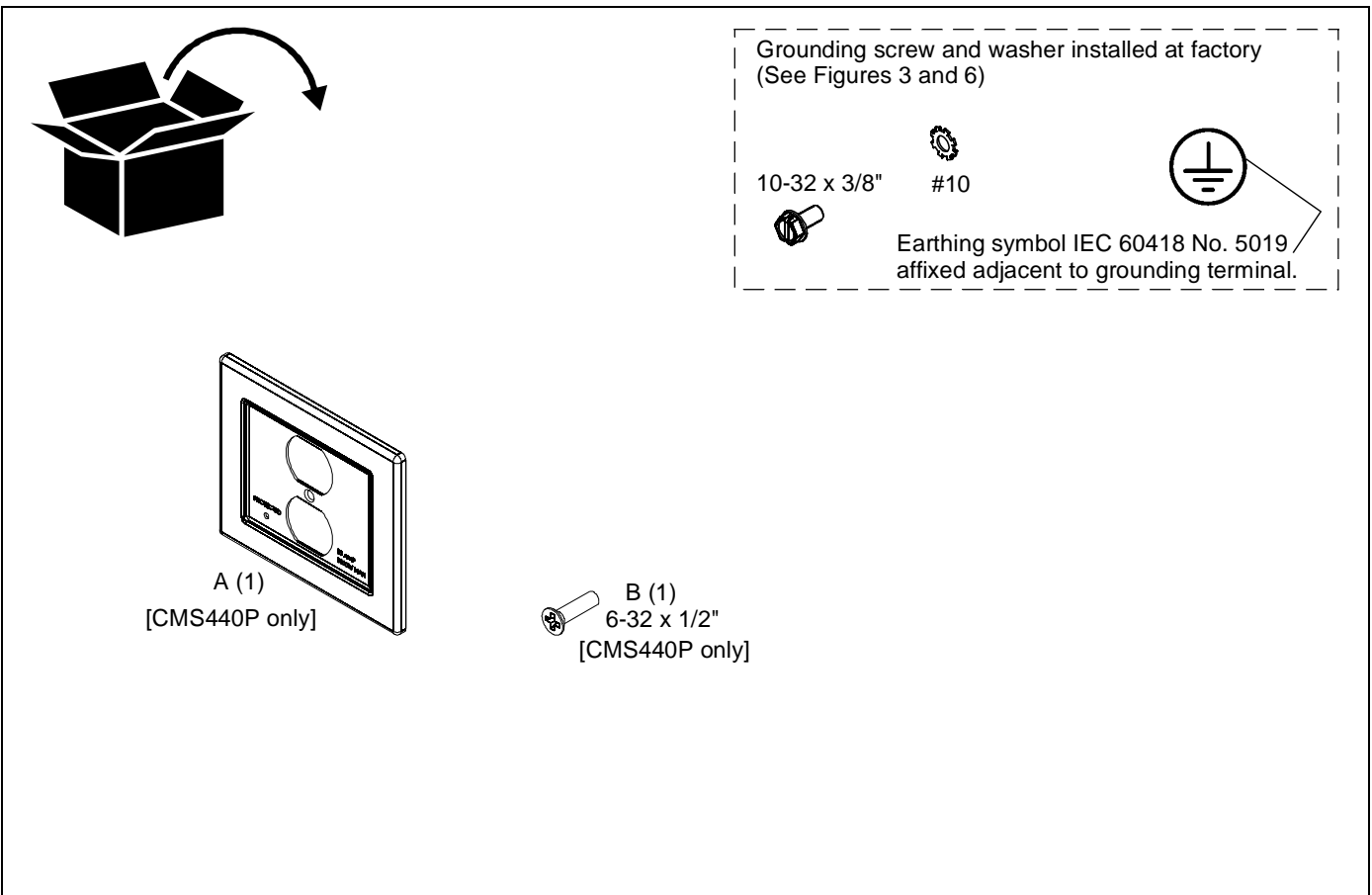
DIMENSIONS: INCHES
[MILLIMETERS]



TOOLS REQUIRED FOR INSTALLATION



ADDITIONAL PARTS





WARNING: IMPROPER INSTALLATION CAN RESULT IN DEATH OR SERIOUS PERSONAL INJURY! This accessory should be installed by qualified personnel.

IMPORTANT ! : In addition to the CMS440 and CMS445 installation instructions accompanying the products, the following steps must also be taken when installing the **CMS440P** and **CMS445P**.

The CMS440P/CMS445P must be connected to a 15 Amp branch circuit.

CMS440P

1. Cut a hole in the ceiling tile around the outlet side of the electrical box so that the ceiling tile will fit over the CMS440P. (See Figure 1)

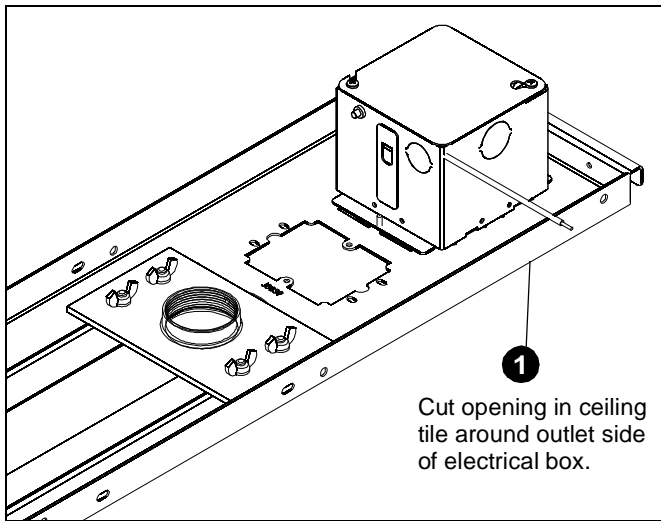


Figure 1

2. Attach face plate (A) using one 6-32 x 1/2" Phillips flat head screw (B) after the CMS440P has been installed.

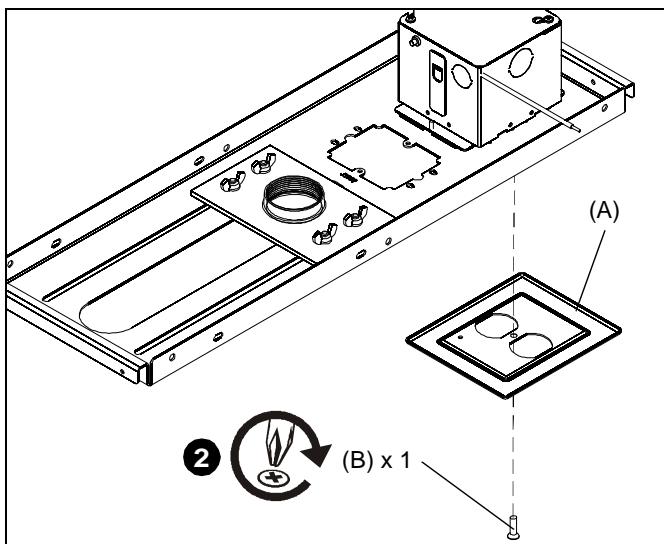


Figure 2

3. Loosen two Phillips head screws on the electrical box.
4. Remove electrical box cover. (See Figure 3)

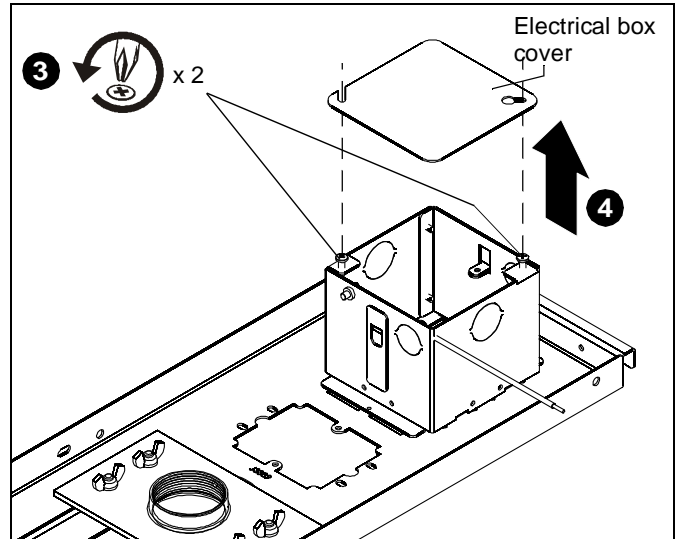


Figure 3



WARNING: IMPROPER WIRING CAN LEAD TO DEATH OR SEVERE PERSONAL INJURY! Grounding must be installed by qualified personnel using a UL Recognized No. 12AWG Green grounding wire connected to grounding lug on box.



WARNING: ELECTRICAL SHOCK HAZARD! Turn off power to device before performing service.

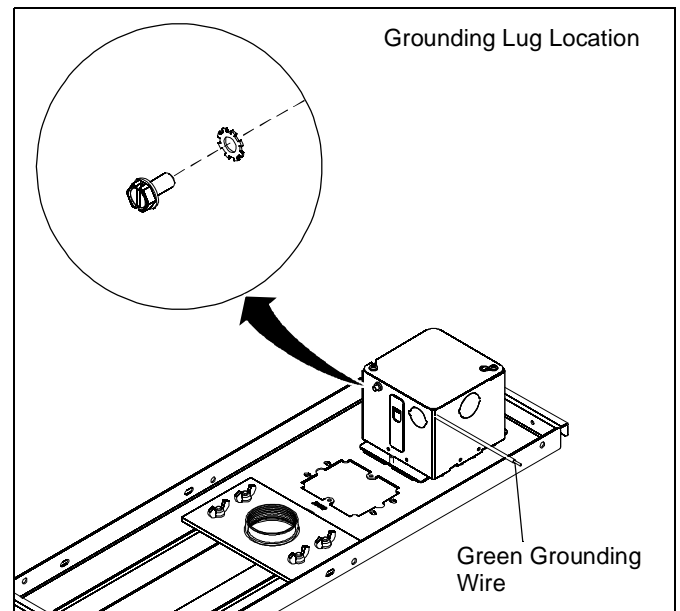


Figure 4

5. Wire the CMS440P as required.

6. Replace the electrical box cover. (See Figure 5)
7. Tighten two Phillips head screws in electrical box cover.

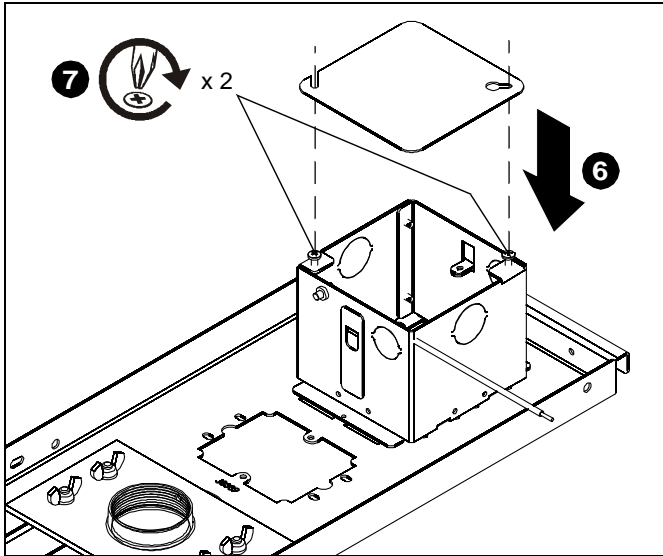


Figure 5

⚠ WARNING: ELECTRICAL SHOCK HAZARD! Turn off power to device before performing service.

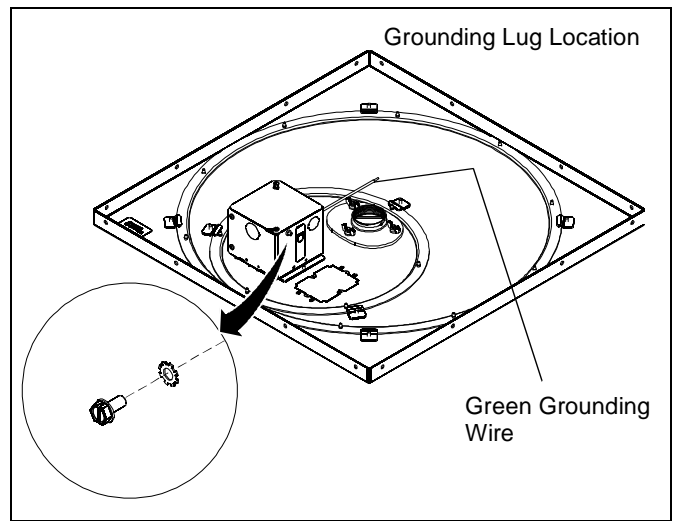


Figure 7

CMS445P

1. Loosen two Phillips head screws on the electrical box.
2. Remove electrical box cover. (See Figure 6)

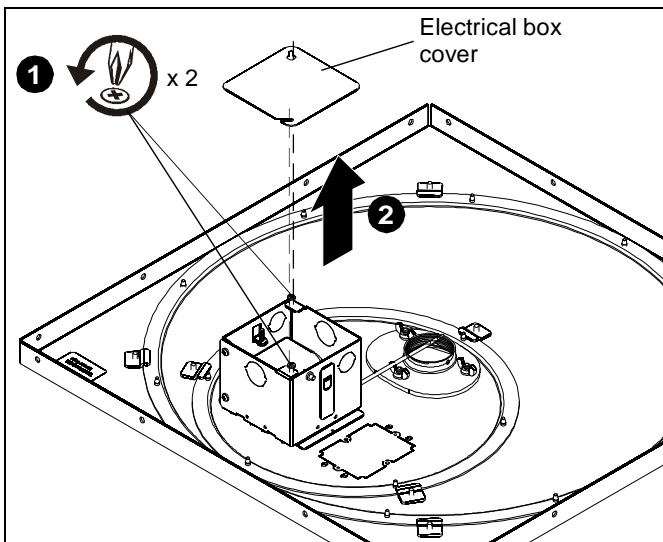


Figure 6

3. Wire the CMS445P as required.
4. Replace the electrical box cover. (See Figure 8)
5. Tighten two Phillips head screws in electrical box cover.

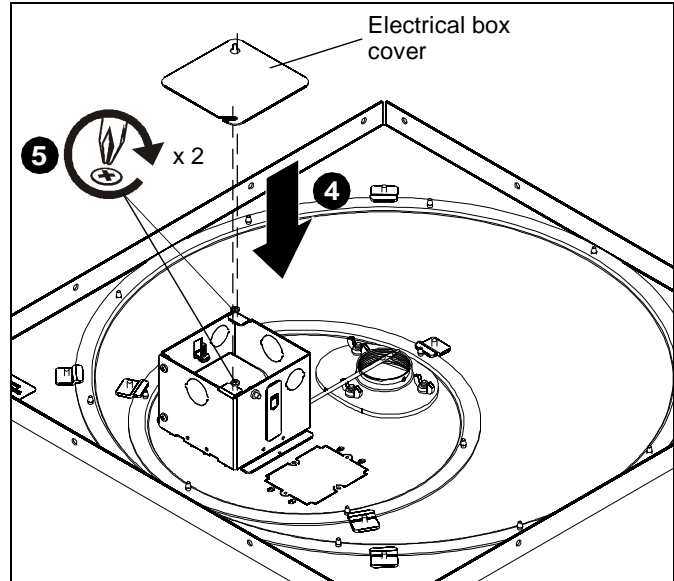


Figure 8

⚠ WARNING: IMPROPER WIRING CAN LEAD TO DEATH OR SEVERE PERSONAL INJURY! Grounding must be installed by qualified personnel using a UL Recognized No. 12AWG Green grounding wire connected to grounding lug on box.



Our Mounts. **Your Vision.**

Chief Manufacturing, a products division
of Milestone AV Technologies

8803-000125 Rev02

©2013 Milestone AV Technologies, a
Duchossois Group Company

www.chiefmfg.com

07/13

USA/International	A 6436 City West Parkway, Eden Prairie, MN 55344
	P 800.582.6480 / 952.225.6000
	F 877.894.6918 / 952.894.6918
Europe	A Franklinstraat 14, 6003 DK Weert, Netherlands
	P +31 (0) 495 580 852
	F +31 (0) 495 580 845
Asia Pacific	A Office No. 1 on 12/F, Shatin Galleria 18-24 Shan Mei Street Fotan, Shatin, Hong Kong
	P 852 2145 4099
	F 852 2145 4477

