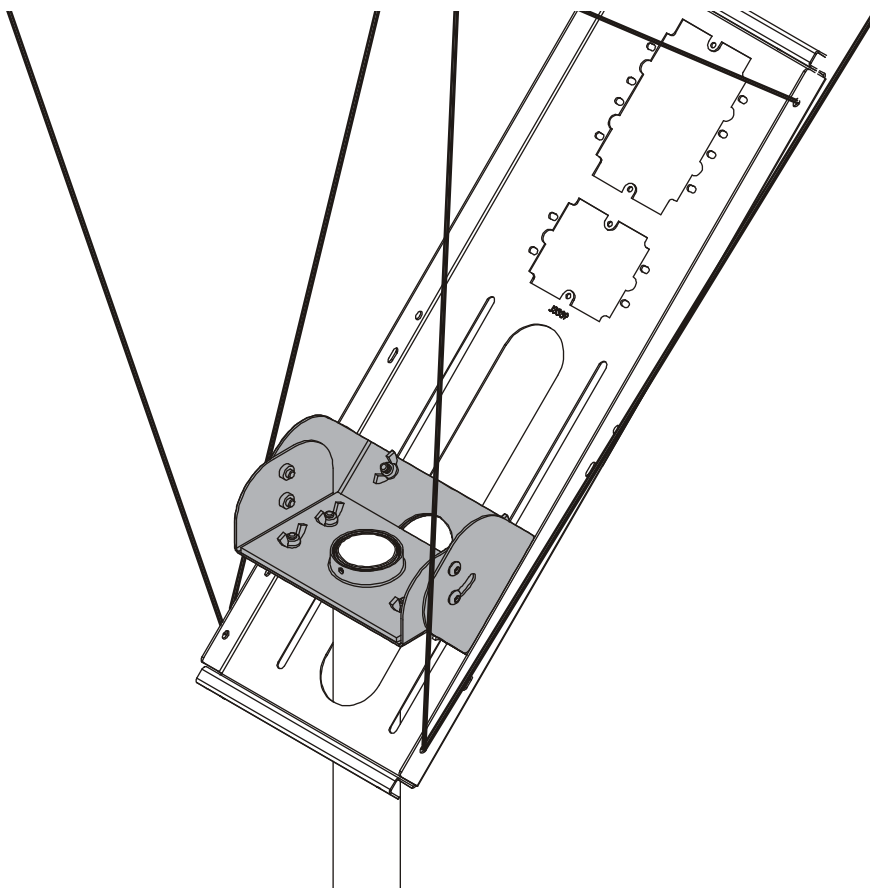

INSTALLATION INSTRUCTIONS



Angled Ceiling Adapter

DISCLAIMER

Milestone AV Technologies and its affiliated corporations and subsidiaries (collectively "Milestone"), intend to make this manual accurate and complete. However, Milestone makes no claim that the information contained herein covers all details, conditions or variations, nor does it provide for every possible contingency in connection with the installation or use of this product. The information contained in this document is subject to change without notice or obligation of any kind. Milestone makes no representation of warranty, expressed or implied, regarding the information contained herein. Milestone assumes no responsibility for accuracy, completeness or sufficiency of the information contained in this document.

Chief® is a registered trademark of Milestone AV Technologies. All rights reserved.

! IMPORTANT SAFETY INSTRUCTIONS

! WARNING: A WARNING alerts you to the possibility of serious injury or death if you do not follow the instructions.

! CAUTION: A CAUTION alerts you to the possibility of damage or destruction of equipment if you do not follow the corresponding instructions.

! WARNING: Failure to read, thoroughly understand, and follow all instructions can result in serious personal injury, damage to equipment, or voiding of factory warranty! It is the installer's responsibility to make sure all components are properly assembled and installed using the instructions provided.

! WARNING: Failure to provide adequate structural strength for this component can result in serious personal injury or damage to equipment! It is the installer's responsibility to make sure the structure to which this component is attached can support five times the combined weight of all equipment. Reinforce the structure as required before installing the component.

! WARNING: Exceeding the weight capacity can result in serious personal injury or damage to equipment! It is the installer's responsibility to make sure the combined weight of all components attached to the CMS495 up to (and including) the projector does not exceed 50 lbs (22.7 kg).

IMPORTANT ! : The CMS495 was designed specifically to be used with the UL Listed CMS440 Lightweight Suspended Ceiling Kit in order to make it compatible with ceilings angled up to 45°. Do NOT attempt to use the CMS495 with any other type of ceiling mount or with ceilings angled more than 45°!

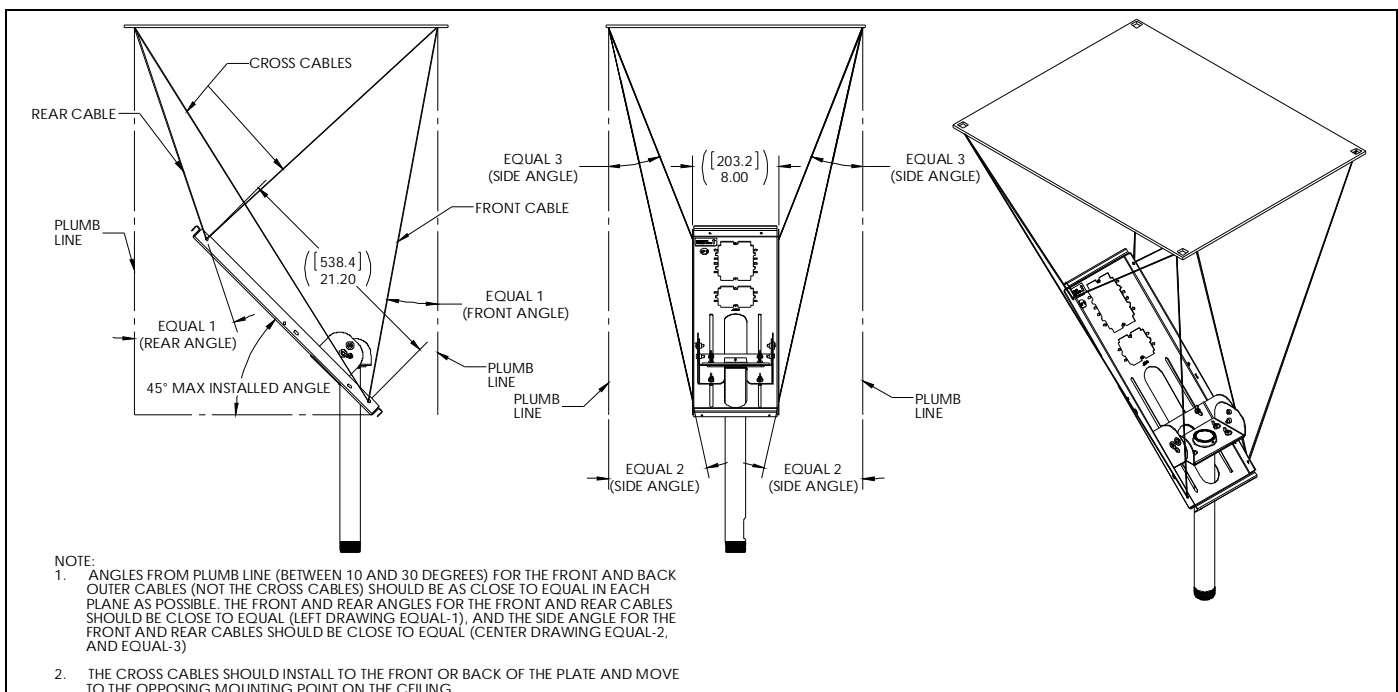
! WARNING: Use this mounting system only for its intended use as described in these instructions. Do not use attachments not recommended by the manufacturer.

! WARNING: Never operate this mounting system if it is damaged. Return the mounting system to a service center for examination and repair.

! WARNING: Do not use this product outdoors.

--SAVE THESE INSTRUCTIONS--

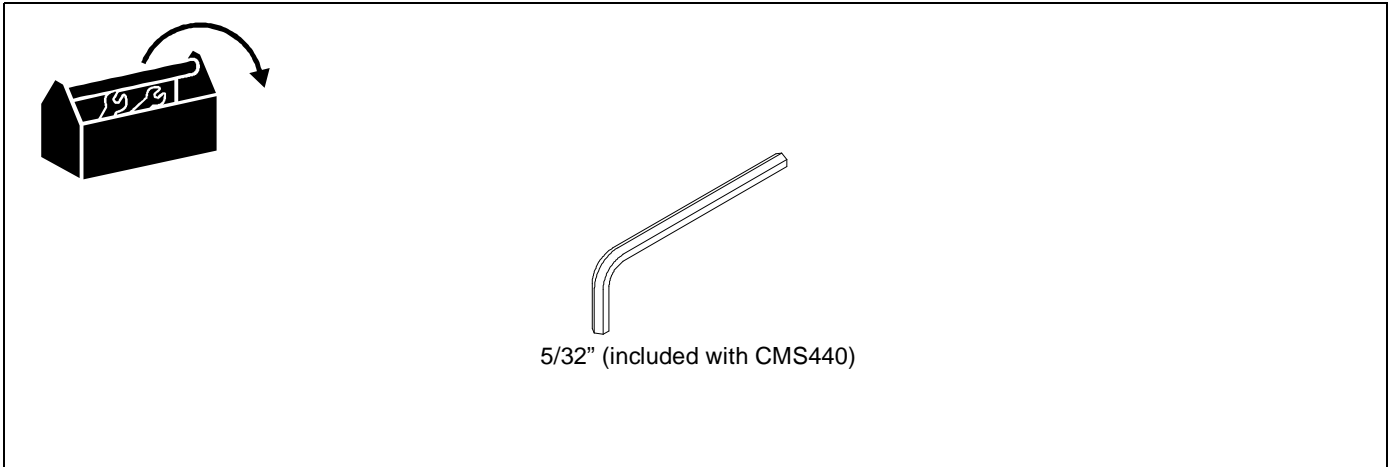
DIMENSIONS



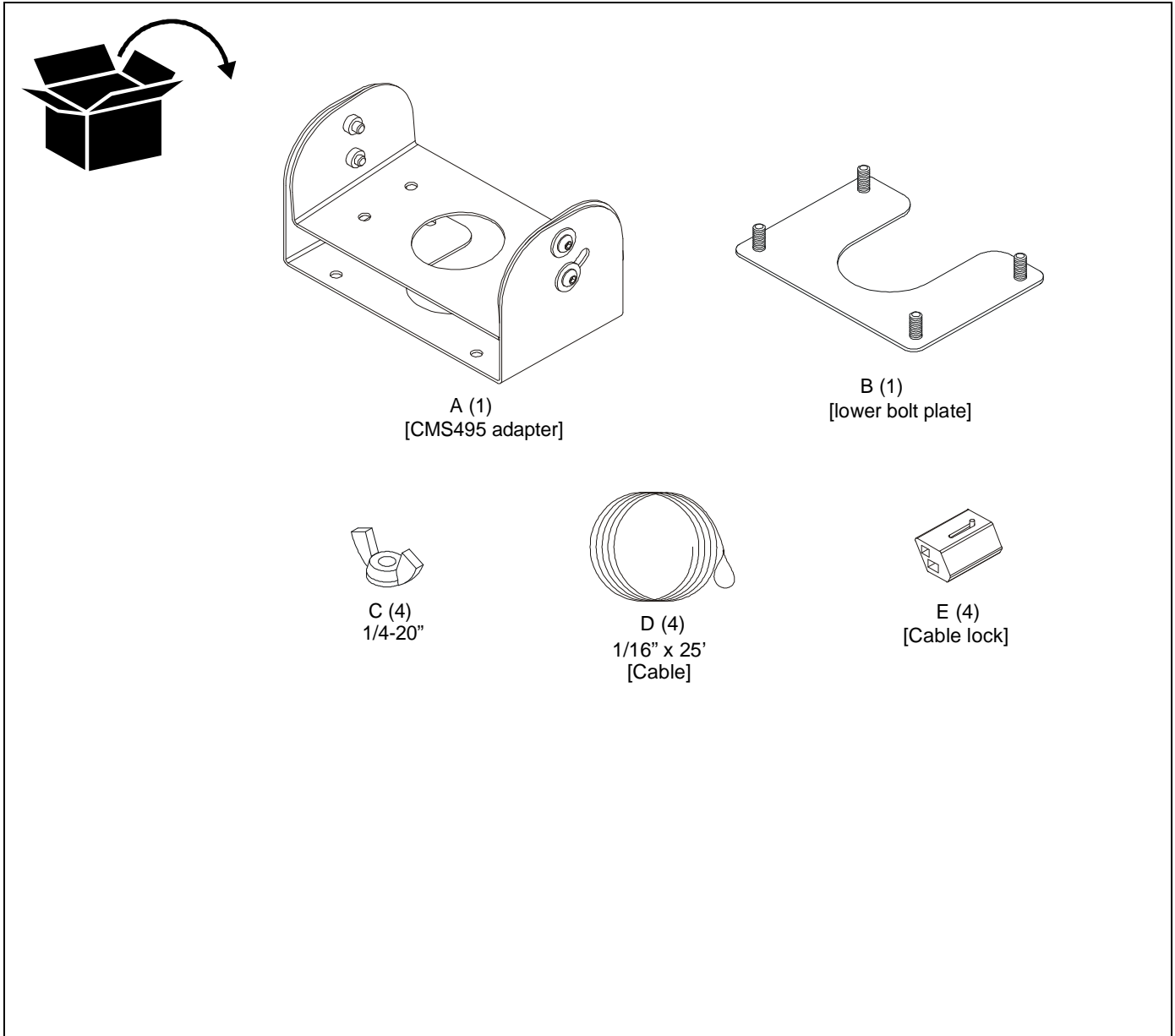
LEGEND

	<p>Tighten Fastener</p> <p>Apretar elemento de fijación</p> <p>Befestigungsteil festziehen</p> <p>Apertar fixador</p> <p>Serrare il fissaggio</p> <p>Bevestiging vastdraaien</p> <p>Serrez les fixations</p>		<p>Pencil Mark</p> <p>Marcar con lápiz</p> <p>Stiftmarkierung</p> <p>Marcar com lápis</p> <p>Segno a matita</p> <p>Potloodmerkten</p> <p>Marquage au crayon</p>
	<p>Loosen Fastener</p> <p>Aflojar elemento de fijación</p> <p>Befestigungsteil lösen</p> <p>Desapertar fixador</p> <p>Allentare il fissaggio</p> <p>Bevestiging losdraaien</p> <p>Desserrez les fixations</p>		<p>Drill Hole</p> <p>Perforar</p> <p>Bohrloch</p> <p>Fazer furo</p> <p>Praticare un foro</p> <p>Gat boren</p> <p>Percez un trou</p>
	<p>Phillips Screwdriver</p> <p>Destornillador Phillips</p> <p>Kreuzschlitzschraubendreher</p> <p>Chave de fendas Phillips</p> <p>Cacciavite a stella</p> <p>Kruiskopschroevendraaier</p> <p>Tournevis à pointe cruciforme</p>		<p>Adjust</p> <p>Ajustar</p> <p>Einstellen</p> <p>Ajustar</p> <p>Regolare</p> <p>Afstellen</p> <p>Ajuster</p>
	<p>Open-Ended Wrench</p> <p>Llave de boca</p> <p>Gabelschlüssel</p> <p>Chave de bocas</p> <p>Chiave a punte aperte</p> <p>Steeksleutel</p> <p>Clé à fourche</p>		<p>Remove</p> <p>Quitar</p> <p>Entfernen</p> <p>Remover</p> <p>Rimuovere</p> <p>Verwijderen</p> <p>Retirez</p>
	<p>By Hand</p> <p>A mano</p> <p>Von Hand</p> <p>Com a mão</p> <p>A mano</p> <p>Met de hand</p> <p>À la main</p>		<p>Optional</p> <p>Opcional</p> <p>Optional</p> <p>Opcional</p> <p>Opzionale</p> <p>Optie</p> <p>En option</p>
	<p>Hex-Head Wrench</p> <p>Llave de cabeza hexagonal</p> <p>Sechskantschlüssel</p> <p>Chave de cabeça sextavada</p> <p>Chiave esagonale</p> <p>Zeskantsleutel</p> <p>Clé à tête hexagonale</p>		<p>Security Wrench</p> <p>Llave de seguridad</p> <p>Sicherheitsschlüssel</p> <p>Chave de segurança</p> <p>Chiave di sicurezza</p> <p>Veiligheidsleutel</p> <p>Clé de sécurité</p>

TOOLS REQUIRED FOR INSTALLATION



PARTS



Installation and Assembly

IMPORTANT ! : The CMS495 was designed specifically to be used with the UL Listed CMS440 Lightweight Suspended Ceiling Kit in order to make it compatible with ceilings angled up to 45°. Do NOT attempt to use the CMS495 with any other type of ceiling mount!

Attach CMS495 to CMS440

1. Remove four 1/4-20" wing nuts from CMS440 to release extension column support and lower bolt support plate from CMS440 assembly. (See Figure 1)

NOTE: All parts of CMS440 will be used with CMS495 adapter.

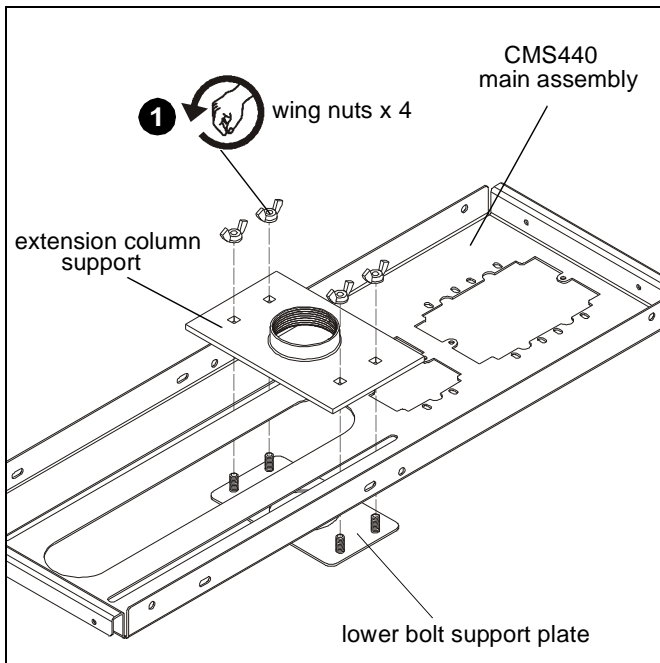


Figure 1

2. Reuse four 1/4-20" wing nuts removed in Step 1 to secure removed CMS440 extension column support and CMS440 lower bolt plate to CMS495 (A). (See Figure 3)

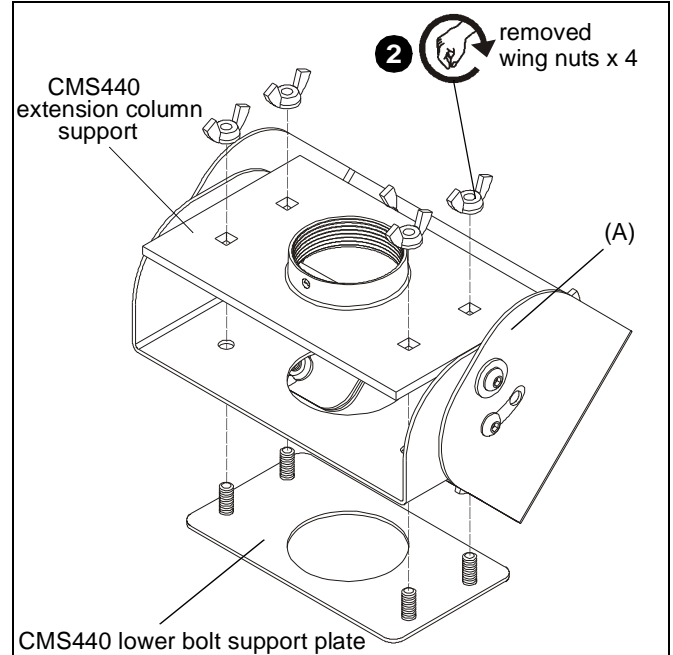


Figure 2

3. Use four 1/4-20" wing nuts (C) to attach CMS495 adapter (A) and lower bolt plate (B) to CMS440 plate. (See Figure 3)

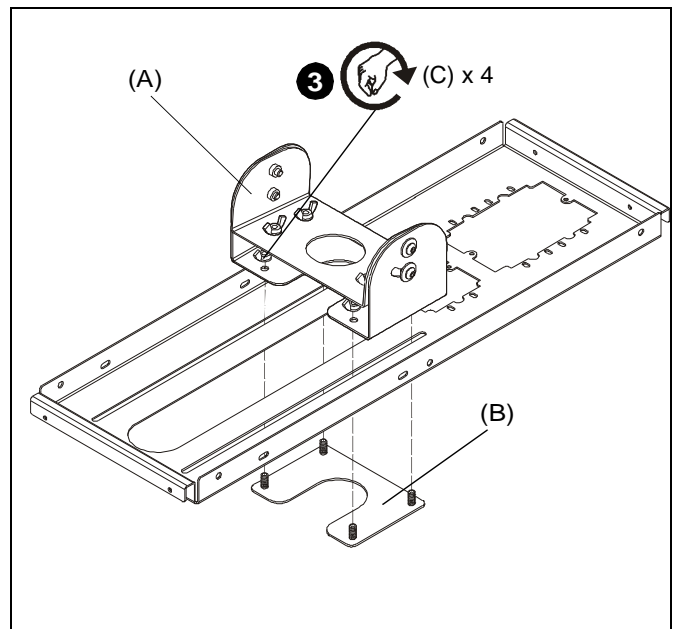


Figure 3

Installation to Ceiling

1. Follow CMS440 installation instructions to complete installation to ceiling, using four cables and cable locks used with the CMS440 for the front and rear cables (See Figure 4) and then the four cross cables (D) and four cable locks (E). (See Figure 5)

NOTE: The cross cables should install to the front or back of the plate and move to the opposing mounting point on the ceiling. (See Figure 5) and (See Figure 6)

IMPORTANT ! : Angles from plumb line (between 10° and 30°) for the front and back outer cables (not the cross cables) should be as close to equal in each plane as possible. The front and rear angles for the front and rear cables should be close to equal (upper drawing - Equal 1). The side angles for the front and rear cables should be close to equal (lower drawing - Equal 2 and 3). (See Figure 6)

NOTE: Specific angles will vary depending on angle of the ceiling.

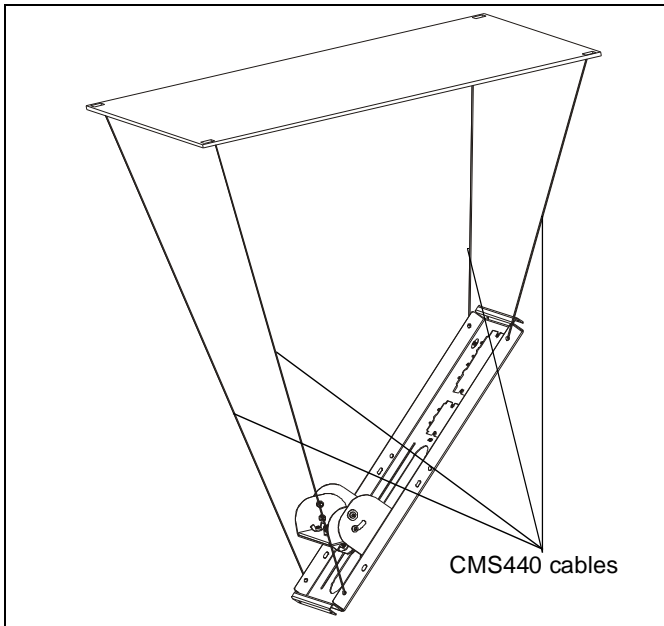


Figure 4

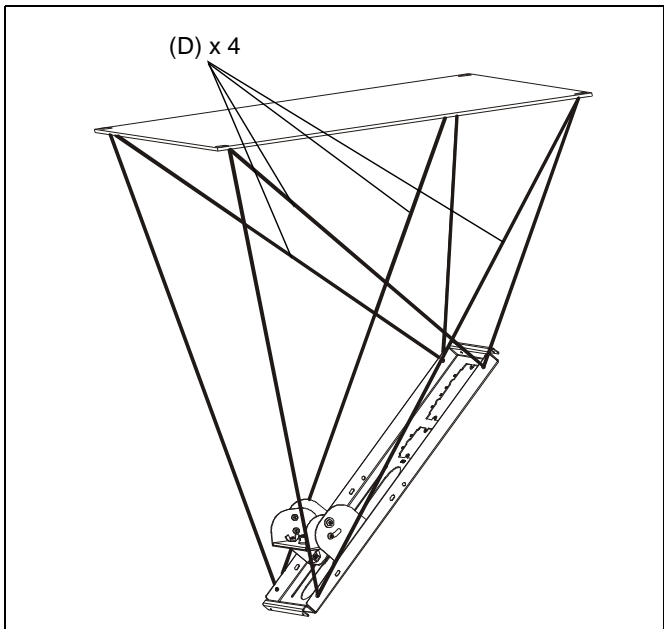


Figure 5

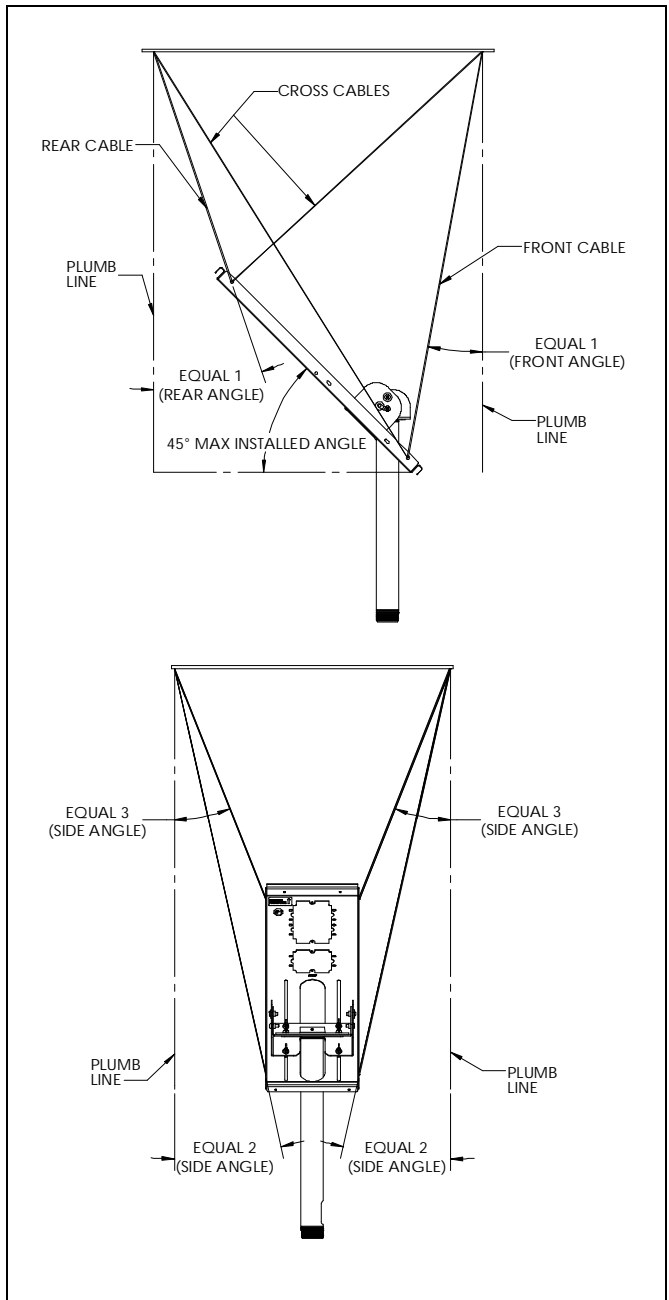


Figure 6

2. Adjust angle of inner plate of CMS495 adapter until it is positioned so that extension column will be installed straight down through the ceiling. (See Figure 7)

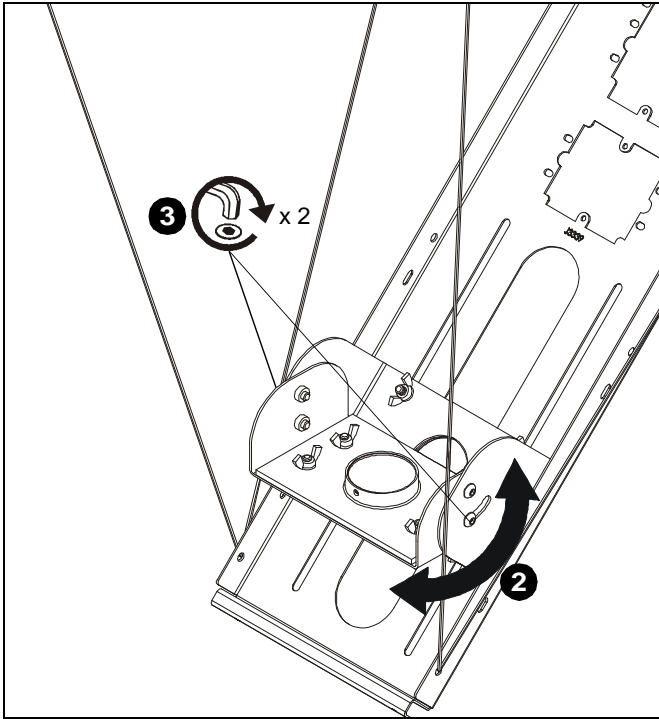


Figure 7

3. Tighten angle adjustment screws to secure angle of inner plate of CMS495 adapter. (See Figure 7)

Refer to CMS440 installation instructions to install tray to ceiling tile and extension column to CMS440 extension column support.



Our Mounts. **Your Vision.**

Chief Manufacturing, a products division
of Milestone AV Technologies

8800-002451 Rev00
©2013 Milestone AV Technologies, a
Duchossois Group Company
www.chiefmfg.com
10/13

USA/International	A 6436 City West Parkway, Eden Prairie, MN 55344 P 800.582.6480 / 952.225.6000 F 877.894.6918 / 952.894.6918
Europe	A Franklinstraat 14, 6003 DK Weert, Netherlands P +31 (0) 495 580 852 F +31 (0) 495 580 845
Asia Pacific	A Office No. 1 on 12/F, Shatin Galleria 18-24 Shan Mei Street Fotan, Shatin, Hong Kong P 852 2145 4099 F 852 2145 4477

