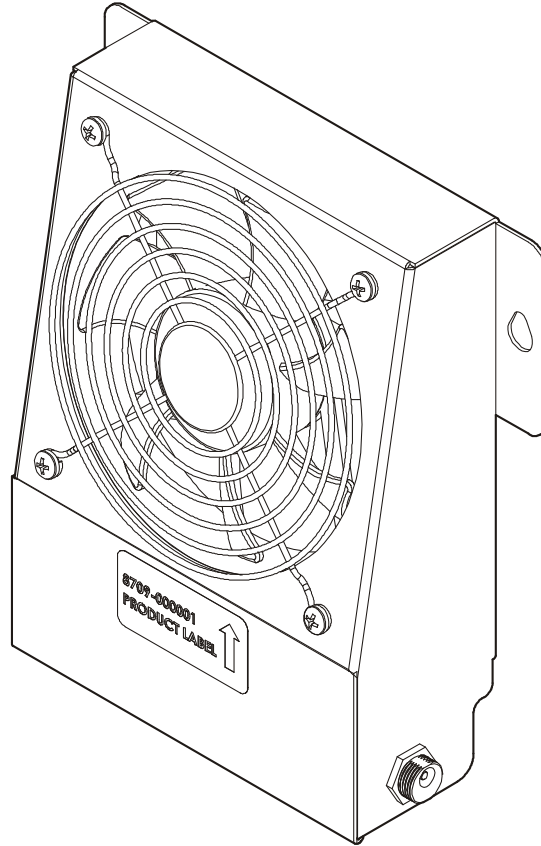

INSTALLATION INSTRUCTIONS



Ceiling AV Enclosure 12V Fan Kit

DISCLAIMER

Milestone AV Technologies and its affiliated corporations and subsidiaries (collectively "Milestone"), intend to make this manual accurate and complete. However, Milestone makes no claim that the information contained herein covers all details, conditions or variations, nor does it provide for every possible contingency in connection with the installation or use of this product. The information contained in this document is subject to change without notice or obligation of any kind. Milestone makes no representation of warranty, expressed or implied, regarding the information contained herein. Milestone assumes no responsibility for accuracy, completeness or sufficiency of the information contained in this document.

Chief® is a registered trademark of Milestone AV Technologies. All rights reserved.

! IMPORTANT SAFETY INSTRUCTIONS

! WARNING: A WARNING alerts you to the possibility of serious injury or death if you do not follow the instructions.

! CAUTION: A CAUTION alerts you to the possibility of damage or destruction of equipment if you do not follow the corresponding instructions.

! WARNING: Failure to read, thoroughly understand, and follow all instructions can result in serious personal injury, damage to equipment, or voiding of factory warranty! It is the installer's responsibility to make sure all components are properly assembled and installed using the instructions provided.

! WARNING: Use this fan kit only for its intended use as described in these instructions. Do not use attachments not recommended by the manufacturer.

! WARNING: Never operate this fan kit if it is damaged. Return the fan kit to a service center for examination and repair.

! WARNING: Do not use this product outdoors.

NOTE: Spacings - To ensure safe operation of the equipment installed in the enclosure, per National Electric Code, ANSI/NFPA 70 Article 725.136(D)(1), a minimum separation of 6mm (0.25 in.) between power cords and signal or communication cables must be maintained.

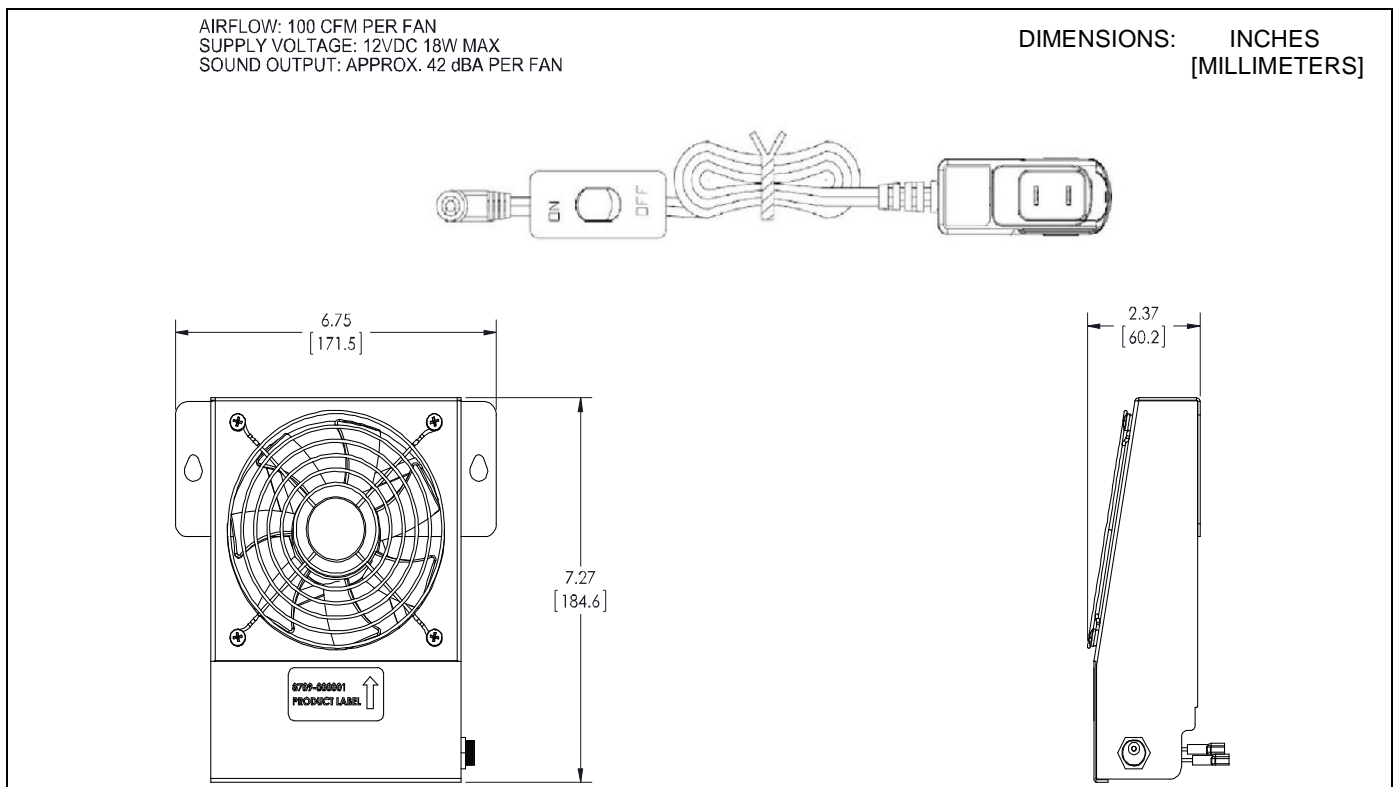
In the U.S., the equipment shall be installed per the applicable requirements of the National Electrical Code, ANSI/NFPA 70.

In Canada, the equipment shall be installed per the applicable requirements of the Canadian Electrical Code, CSA C22.1.

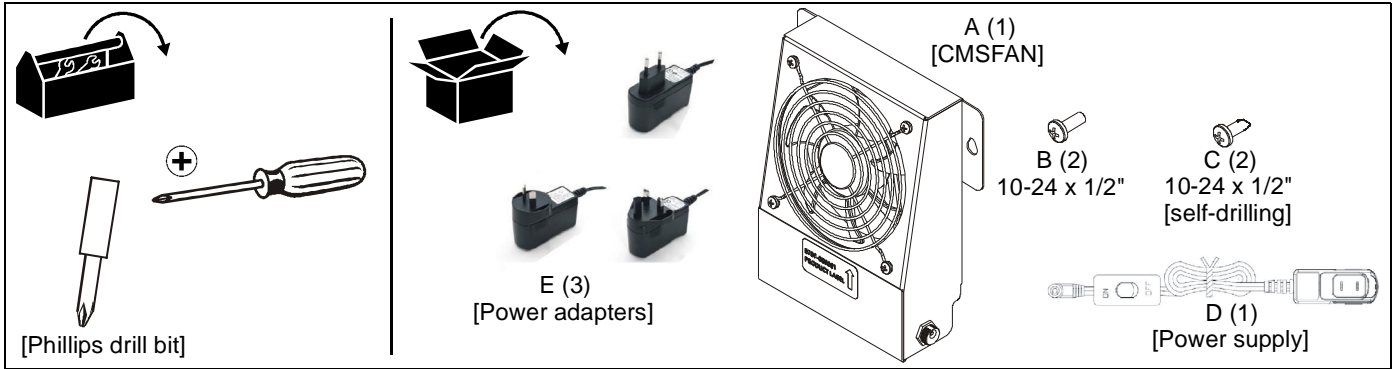
IMPORTANT ! : The CMSFAN is designed to be installed in the Listed Chief CMS491-491C-492-492C above-ceiling suspended storage boxes (not included).

--SAVE THESE INSTRUCTIONS--

DIMENSIONS



TOOLS / PARTS FOR INSTALLATION



NOTE: The CMSFAN (A) is attached within either the CMS491 or CMS492 ceiling boxes in two different manners:

- By tapping attachment holes in correct location; or
- By removing Phillips screws already located in attachment holes.

INSTALLATION

1. Determine where the CMSFAN (A) will be installed above the ventilation areas in CMS491/CMS492. (See Figure 1)
2. Proceed to appropriate section (**Install CMSFAN to Existing Attachment Holes** or **Install CMSFAN by Creating Attachment Holes**) section.

Install CMSFAN to Existing Attachment Holes

3. Remove Phillips head screws from either of two locations where CMSFAN (A) may be attached. (See Figure 1)

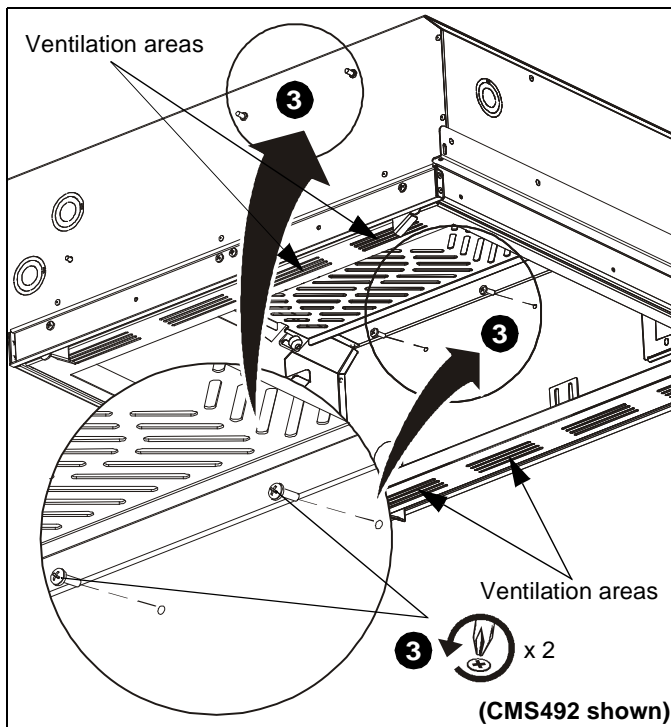


Figure 1

4. Attach CMSFAN (A) into the ceiling box using either the screws removed in Step 3, or two 10-24 x 1/2" Phillips pan head screws (B). (See Figure 2)

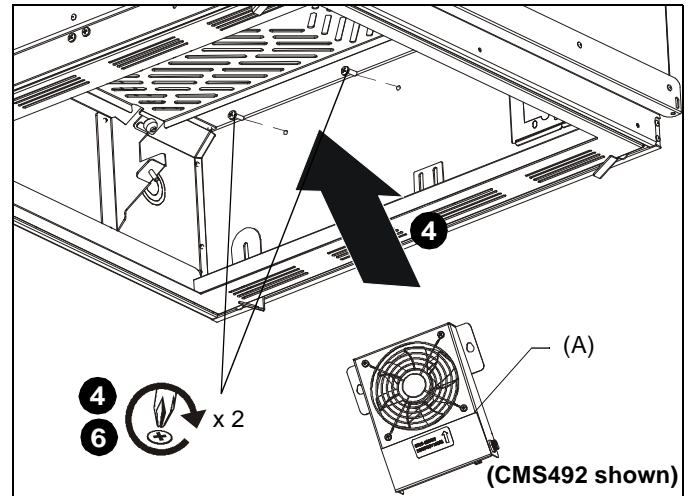


Figure 2

Install CMSFAN by Creating Attachment Holes

5. Hold CMSFAN (A) in desired location in ceiling box above a ventilation area.
6. Attach fan into place, using two 10-24 x 1/2" Phillips self-drilling screws (C). (See Figure 2)

COMPLETING INSTALLATION

1. Attach power supply (D) to CMSFAN (A), using power adapters (E), as necessary. (See Figure 3)

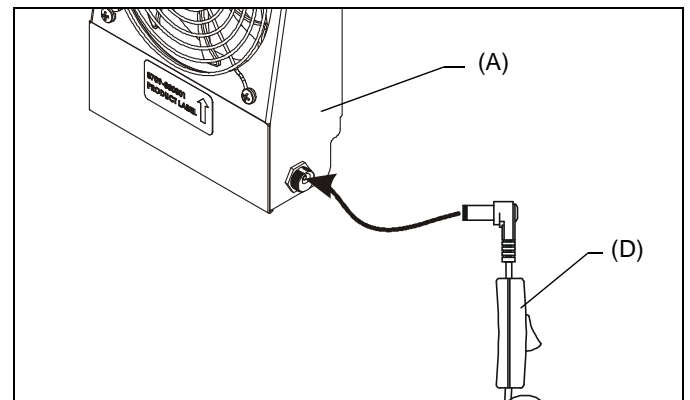


Figure 3



Our Mounts. **Your Vision.**

Chief, a products division of
Milestone AV Technologies

8800-002615 Rev01
©2015 Milestone AV Technologies
www.chiefmfg.com
01/15

USA/International	A 6436 City West Parkway, Eden Prairie, MN 55344 P 800.582.6480 / 952.225.6000 F 877.894.6918 / 952.894.6918
Europe	A Franklinstraat 14, 6003 DK Weert, Netherlands P +31 (0) 495 580 852 F +31 (0) 495 580 845
Asia Pacific	A Office No. 918 on 9/F, Shatin Galleria 18-24 Shan Mei Street Fotan, Shatin, Hong Kong P 852 2145 4099 F 852 2145 4477

