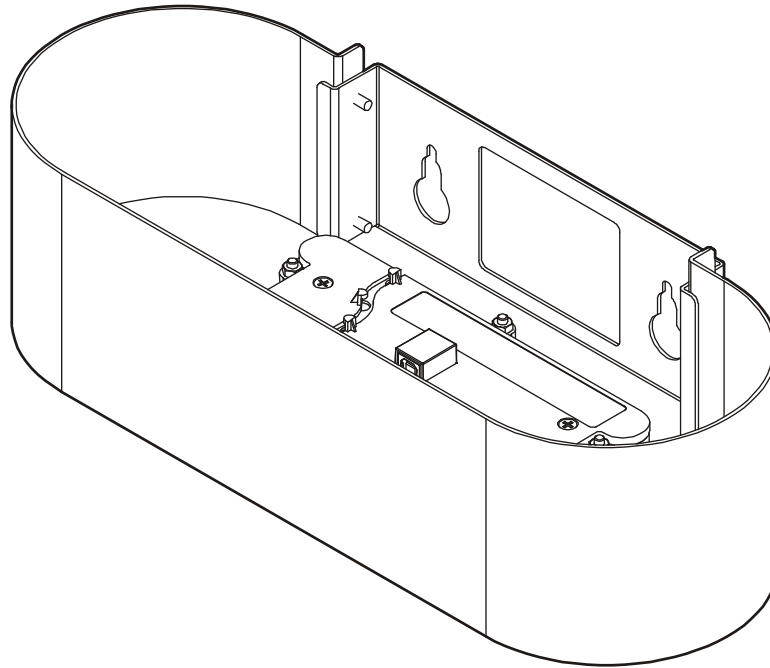


---

# INSTALLATION INSTRUCTIONS

---



---

## Interactive Upgrade Kit - Ceiling Projector

---

## DISCLAIMER

Milestone AV Technologies and its affiliated corporations and subsidiaries (collectively "Milestone"), intend to make this manual accurate and complete. However, Milestone makes no claim that the information contained herein covers all details, conditions or variations, nor does it provide for every possible contingency in connection with the installation or use of this product. The information contained in this document is subject to change without notice or obligation of any kind. Milestone makes no representation of warranty, expressed or implied, regarding the information contained herein. Milestone assumes no responsibility for accuracy, completeness or sufficiency of the information contained in this document.

Chief® is a registered trademark of Milestone AV Technologies. All rights reserved.



## IMPORTANT SAFETY INSTRUCTIONS



**WARNING:** A WARNING alerts you to the possibility of serious injury or death if you do not follow the instructions.



**CAUTION:** A CAUTION alerts you to the possibility of damage or destruction of equipment if you do not follow the corresponding instructions.



**WARNING:** Failure to read, thoroughly understand, and follow all instructions can result in serious personal injury, damage to equipment, or voiding of factory warranty! It is the installer's responsibility to make sure all components are properly assembled and installed using the instructions provided.



**WARNING:** Failure to provide adequate structural strength for this component can result in serious personal injury or damage to equipment! It is the installer's responsibility to make sure the structure to which this component is attached can support five times the combined weight of all equipment. Reinforce the structure as required before installing the component. The wall to which the mount is being attached may have a maximum drywall thickness of 5/8" (1.6cm). Do not install drywall anchors into the seam between drywall pieces.



**WARNING:** Use this mounting system only for its intended use as described in these instructions. Do not use attachments not recommended by the manufacturer.



**WARNING:** Never operate this mounting system if it is damaged. Return the mounting system to a service center for examination and repair.



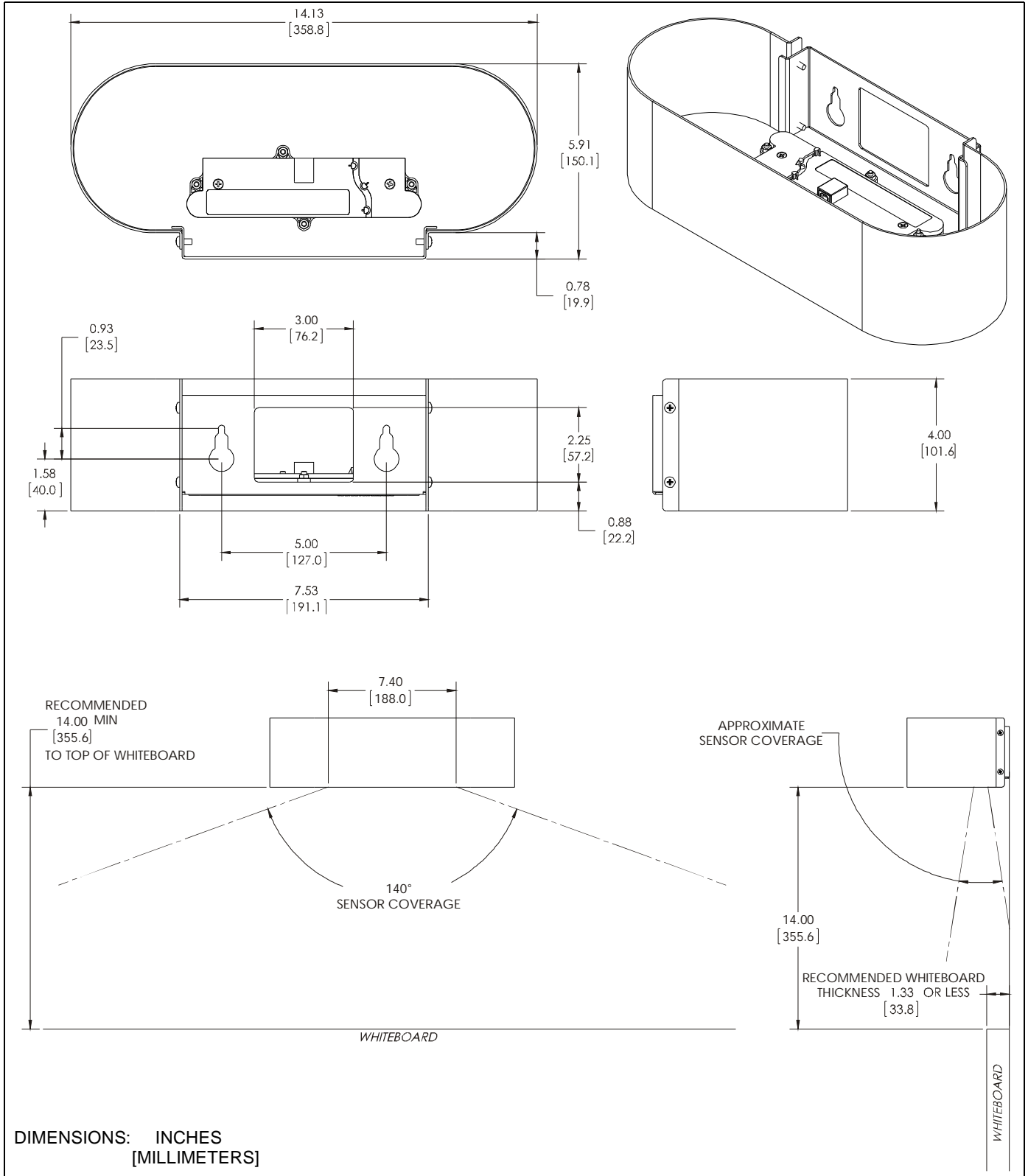
**WARNING:** Do not use this product outdoors.

**IMPORTANT ! :** The CMSI is designed to be mounted to an 8" concrete, 8"x8"x16" concrete block, clay brick, or 2" x 4" wood studs, and may also be attached to drywall only.






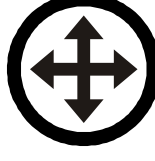






**NOTE:** The CMSI weighs 5 lbs (2.3 kg).

**--SAVE THESE INSTRUCTIONS--**

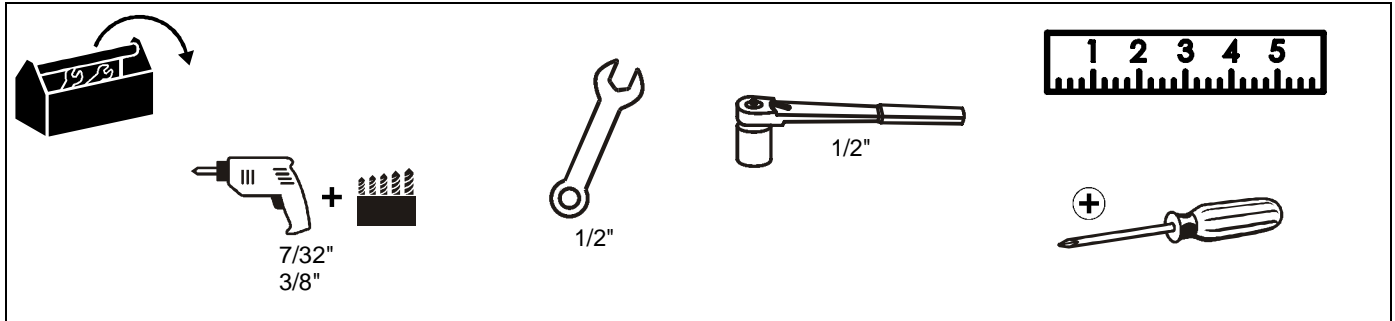
**DIMENSIONS**



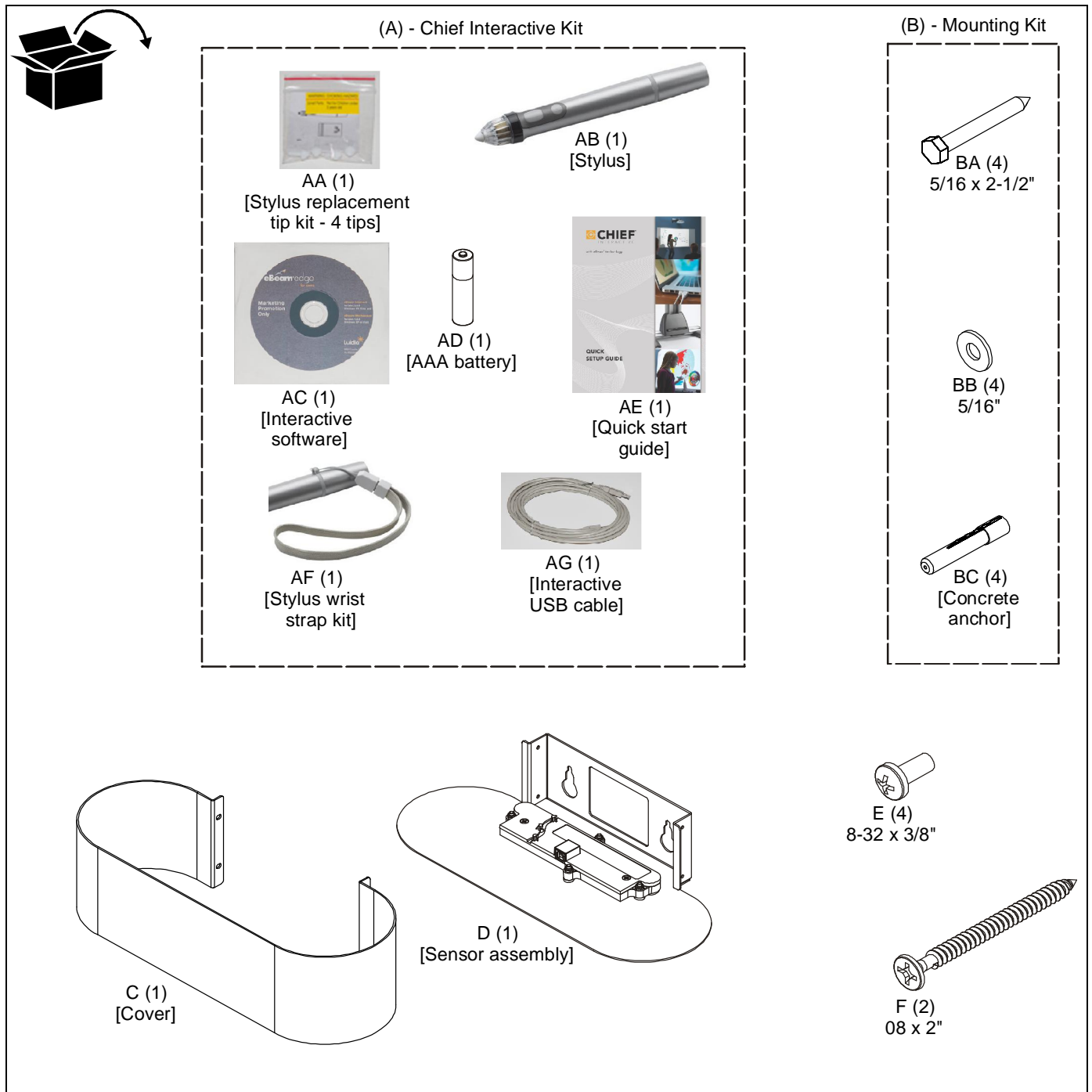
## LEGEND

	<b>Tighten Fastener</b> Apretar elemento de fijación Befestigungsteil festziehen Apertar fixador Serrare il fissaggio Bevestiging vastdraaien Serrez les fixations		<b>Pencil Mark</b> Marcar con lápiz Stiftmarkierung Marcar com lápis Segno a matita Potloodmerkteken Marquage au crayon
	<b>Loosen Fastener</b> Aflojar elemento de fijación Befestigungsteil lösen Desapertar fixador Allentare il fissaggio Bevestiging losdraaien Desserrez les fixations		<b>Drill Hole</b> Perforar Bohrloch Fazer furo Praticare un foro Gat boren Percez un trou
	<b>Phillips Screwdriver</b> Destornillador Phillips Kreuzschlitzschraubendreher Chave de fendas Phillips Cacciavite a stella Kruiskopschroevendraaier Tournevis à pointe cruciforme		<b>Adjust</b> Ajustar Einstellen Ajustar Regolare Afstellen Ajuster
	<b>Open-Ended Wrench</b> Llave de boca Gabelschlüssel Chave de bocas Chiave a punte aperte Steeksleutel Clé à fourche		<b>Remove</b> Quitar Entfernen Remover Rimuovere Verwijderen Retirez
	<b>By Hand</b> A mano Von Hand Com a mão A mano Met de hand À la main		<b>Optional</b> Opcional Optional Opcional Opzionale Optie En option
	<b>Hex-Head Wrench</b> Llave de cabeza hexagonal Sechskantschlüssel Chave de cabeça sextavada Chiave esagonale Zeskantsleutel Clé à tête hexagonale		<b>Security Wrench</b> Llave de seguridad Sicherheitsschlüssel Chave de segurança Chiave di sicurezza Veiligheidsleutel Clé de sécurité

**TOOLS REQUIRED FOR INSTALLATION**



**PARTS**



## INSTALLATION

1. Determine mounting location of the CMSI.

**IMPORTANT ! :** The CMSI should be centered above the whiteboard, and be located a minimum of 14" (355.6mm) above the whiteboard. (See DIMENSIONS drawing for further information.) The whiteboard should have a maximum thickness of 1.33" (33.8mm) or less.

2. Using the sensor assembly (D) as a template, mark two holes through the holes in the assembly.
3. Proceed to appropriate wall type for further instruction.

**⚠ WARNING:** ELECTRICAL SHOCK HAZARD! CUTTING OR DRILLING INTO ELECTRICAL CORDS OR CABLES CAN CAUSE DEATH OR SERIOUS PERSONAL INJURY! ALWAYS make certain area behind mounting surface is free of electrical wires and cables before cutting, drilling, or installing fasteners.

**⚠ WARNING:** EXPLOSION AND FIRE HAZARD! CUTTING OR DRILLING INTO GAS PLUMBING CAN CAUSE DEATH OR SERIOUS PERSONAL INJURY! ALWAYS make certain area behind mounting surface is free of gas, water, waste, or any other plumbing before cutting, drilling, or installing fasteners.

### Concrete Wall

1. Drill two 3/8" holes at marked locations in wall. (See Figure 1)

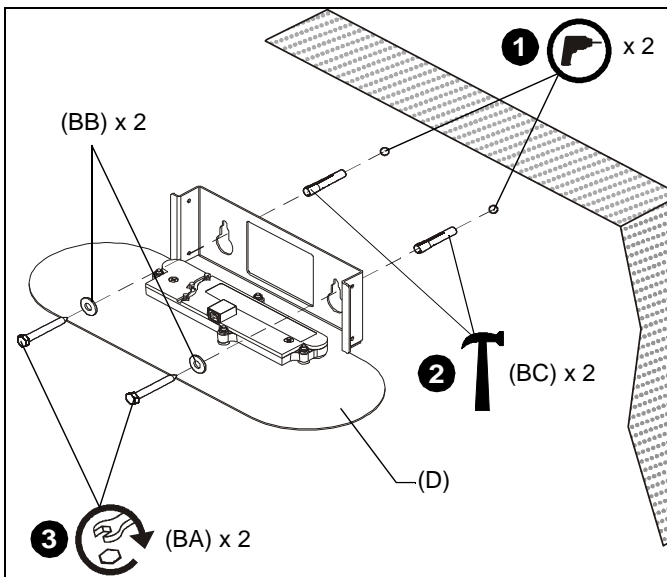


Figure 1

2. Install two concrete anchors (BC) into drilled holes. (See Figure 1)
3. Install two 5/16 x 2-1/2" hex head lag screws (BA) through two 5/16" washers (BB), middle section of mounting holes in sensor assembly (D) and into concrete anchors (BC). (See Figure 1)

### Wood Studs

**IMPORTANT ! :** The wall to which the mount is being attached may have a maximum drywall thickness of 5/8" (1.6cm).

1. Drill two 7/32" holes at marked locations in wall. (See Figure 2)

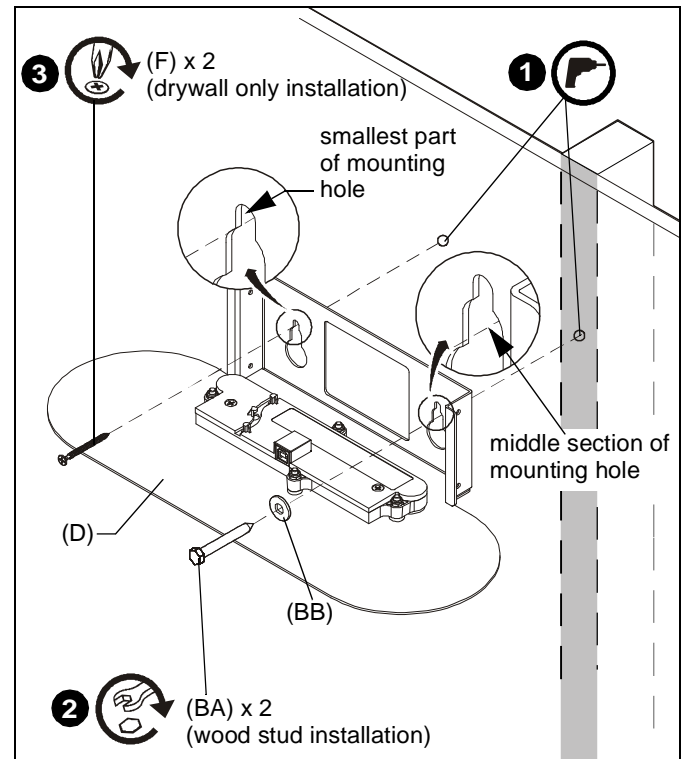


Figure 2

2. Install two 5/16 x 2-1/2" hex head lag screws (BA) through two 5/16" washers (BB), middle section of mounting holes in sensor assembly (D) and into drilled holes. (See Figure 2)

### Drywall Only

**IMPORTANT ! :** Do not install drywall anchors into the seam between drywall pieces.

3. Install two 08 x 2" Phillips head screws (F) through smallest part of mounting holes in sensor assembly (D) and into drywall. (See Figure 2)

## Completing Installation

1. Install cover (C) to sensor assembly (D). (See Figure 3)
2. Fasten cover with four 8-32 x 3/8" Phillips head screws (E). (See Figure 3)

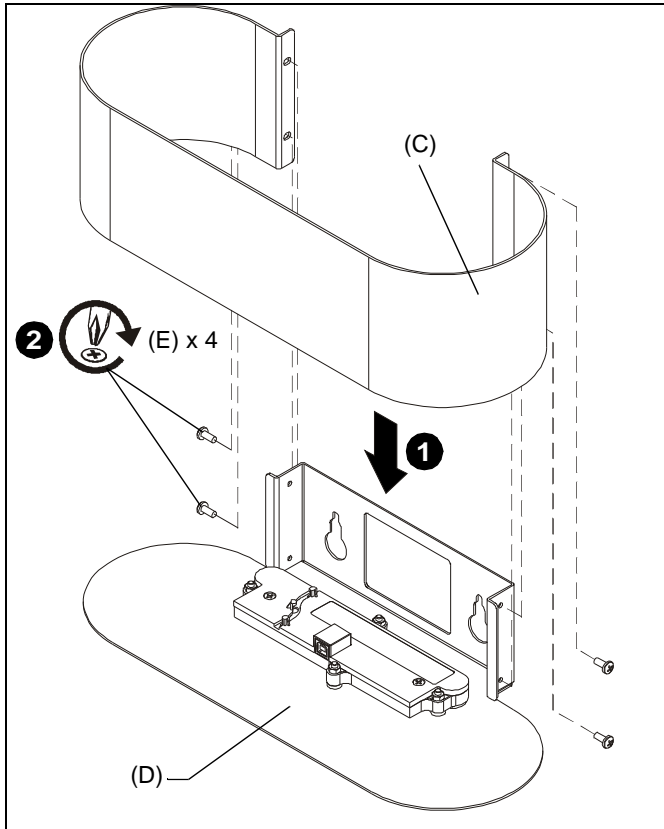


Figure 3

## CONNECTING CMSI

**NOTE:** Follow instructions in the Quick Start Guide (AE).

**IMPORTANT ! :** After adding battery (AD) to the stylus (AB), tighten the cap **only** to the point of being fingertip-tight. Overtightening cap may cause the stylus to stop transmitting signals.

1. Connect projector to computer.
2. Connect USB cord (AG) from cartridge in CMSI to computer USB port.
3. Insert interactive software CD (AC) into computer, and follow start-up and operating instructions.

## Minimum System Requirements for CMSI

- Windows® System
  - Compatible PC with Pentium™ II 400 MHz+ processor and 256 MB RAM
  - Windows 2000, XP, Server 2003, Vista, or 7
  - 30 MB available hard drive space
  - Available USB port

- Macintosh® System
  - Power PC®/Intel™ 1.42 GHz+ processor and 1G RAM
  - Mac OS X 10.5 through 10.6
  - 25 MB available hard drive space
  - Available USB port

## Active Capture Area Size

- The maximum active capture area supported is: 4 ft x 7 ft or up to 94 inches diagonal measure.
- The minimum active capture area supported is: 1.7 ft x 1.1 ft.

## Connection Requirement

- The CMSI includes a USB cable.

## Screen Recording Requirements

(Currently available only on Windows platform.)

- Pentium™ IV processor
- 1.4GHz, with 512MB RAM

## Placement and Projection Area Constraints

**NOTE:** See **DIMENSIONS** drawing for placement information.

- There should be a minimum distance of 14" (355.6mm) between the base of the CMSI and the top of the whiteboard.
- The distance between the base of the CMSI and the bottom corner of the projection image (both right and left) should be less than or equal to 110 inches.
- The projection image should start a minimum of 1" (25.4mm) from the base of the top frame of the whiteboard.
- The projection image should be positioned within the fan area extending from the CMSI. This fan area should not exceed 140°.

## Whiteboard Constraints

- The whiteboard should not be thicker than 1.33" (33.8mm).
- The ledge of the whiteboard frame should be less than or equal to 1/3".

## Important Notes

- Do not put sticky notes, hanging paper, cables, outlets, or other items below the CMSI or inside the capture area.
- Image should be placed one inch below the edge of the whiteboard to minimize interference from the frame top.



Our Mounts. **Your Vision.**

Chief Manufacturing, a products division  
of Milestone AV Technologies

8800-002165 Rev00  
©2012 Milestone AV Technologies, a  
Duchossois Group Company  
[www.chiefmfg.com](http://www.chiefmfg.com)  
04/12

<b>USA/International</b>	<b>A</b> 6436 City West Parkway, Eden Prairie, MN 55344 <b>P</b> 800.582.6480 / 952.225.6000 <b>F</b> 877.894.6918 / 952.894.6918
<b>Europe</b>	<b>A</b> Franklinstraat 14, 6003 DK Weert, Netherlands <b>P</b> +31 (0) 495 580 852 <b>F</b> +31 (0) 495 580 845
<b>Asia Pacific</b>	<b>A</b> Office No. 1 on 12/F, Shatin Galleria 18-24 Shan Mei Street Fotan, Shatin, Hong Kong <b>P</b> 852 2145 4099 <b>F</b> 852 2145 4477

