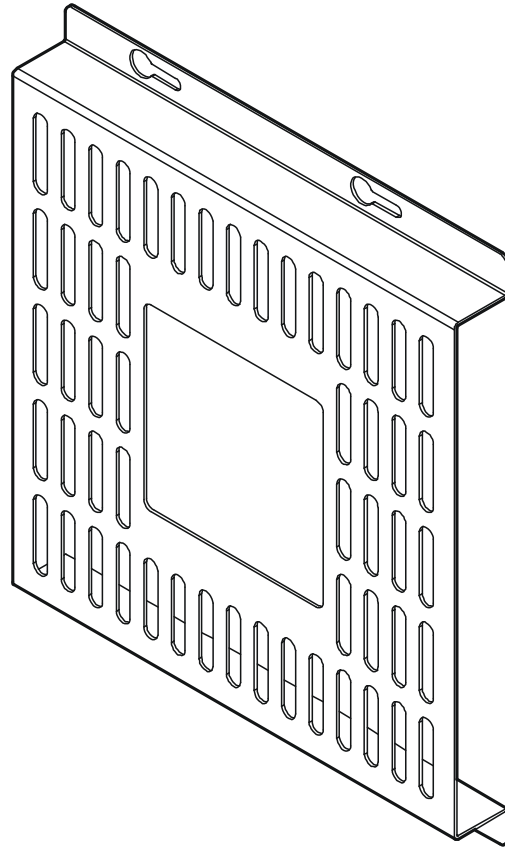

INSTALLATION INSTRUCTIONS



Ceiling AV Enclosure Accessory Bracket

DISCLAIMER

Milestone AV Technologies and its affiliated corporations and subsidiaries (collectively "Milestone"), intend to make this manual accurate and complete. However, Milestone makes no claim that the information contained herein covers all details, conditions or variations, nor does it provide for every possible contingency in connection with the installation or use of this product. The information contained in this document is subject to change without notice or obligation of any kind. Milestone makes no representation of warranty, expressed or implied, regarding the information contained herein. Milestone assumes no responsibility for accuracy, completeness or sufficiency of the information contained in this document.

Chief® is a registered trademark of Milestone AV Technologies. All rights reserved.

! IMPORTANT SAFETY INSTRUCTIONS

! WARNING: A WARNING alerts you to the possibility of serious injury or death if you do not follow the instructions.

! CAUTION: A CAUTION alerts you to the possibility of damage or destruction of equipment if you do not follow the corresponding instructions.

! WARNING: Failure to read, thoroughly understand, and follow all instructions can result in serious personal injury, damage to equipment, or voiding of factory warranty! It is the installer's responsibility to make sure all components are properly assembled and installed using the instructions provided.

! WARNING: Failure to provide adequate structural strength for this component can result in serious personal injury or damage to equipment! It is the installer's responsibility to make sure the structure to which this component is attached can support five times the combined weight of all equipment. Reinforce the structure as required before installing the component.

! WARNING: Exceeding the weight capacity can result in serious personal injury or damage to equipment! It is the installer's responsibility to make sure the combined weight of all components attached to the CMSUNVU bracket does not exceed 2 lbs (0.9 kg).

! WARNING: Use this mounting system only for its intended use as described in these instructions. Do not use attachments not recommended by the manufacturer.

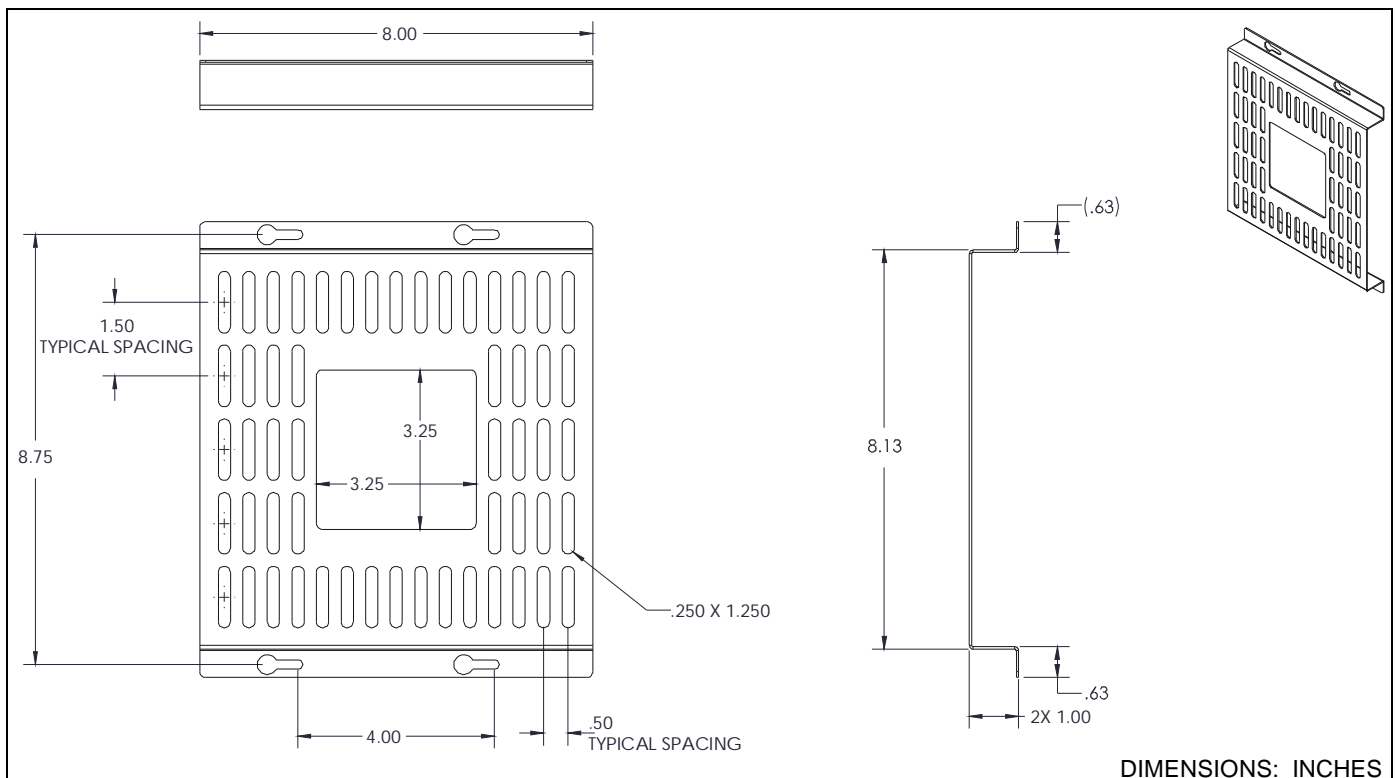
! WARNING: Never operate this mounting system if it is damaged. Return the mounting system to a service center for examination and repair.

! WARNING: Do not use this product outdoors.

IMPORTANT ! : The CMSUNVU is designed to be installed in the Listed Chief CMA473 above-ceiling suspended storage box (not included).

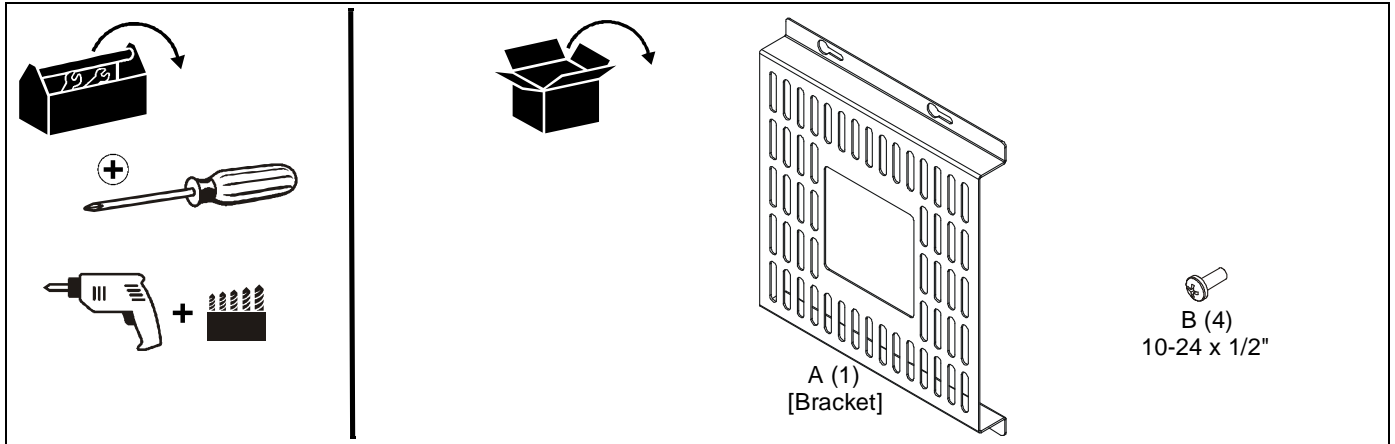
--SAVE THESE INSTRUCTIONS--

DIMENSIONS



DIMENSIONS: INCHES

TOOLS / PARTS FOR INSTALLATION



INSTALLATION

NOTE: The maximum depth allowed for an AV component installed to the CMSUNVU is 2-1/2 inches (63.5mm), INCLUDING the fastener(s) used for securing the component to the CMSUNVU.

1. Determine where the CMSUNVU will be installed along the length of the CMA473 (shaded area). (See Figure 1)
2. Drill two 0.170" (4.3mm) diameter pilot holes, 4" (101.6mm) apart, along one side of the CMA473. (See Figure 1)
3. Repeat for other side of CMA473.

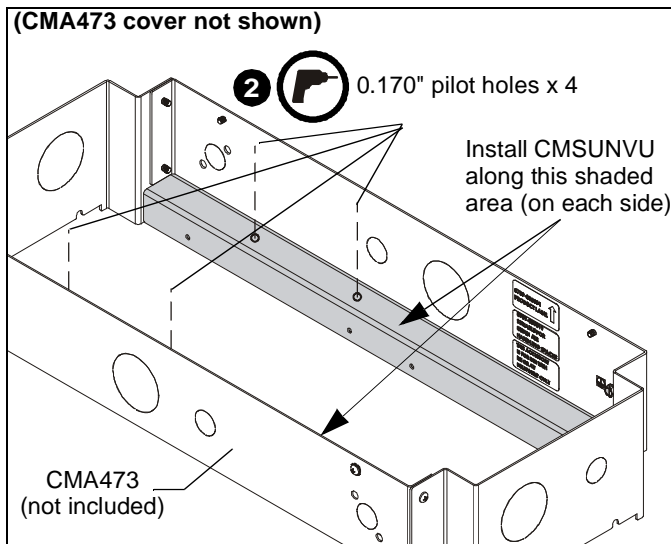


Figure 1

5. Attach CMSUNVU bracket (A) with attached AV component to the CMA473 using four 10-24 x 1/2" Phillips pan head tapping screws (B). (See Figure 2)

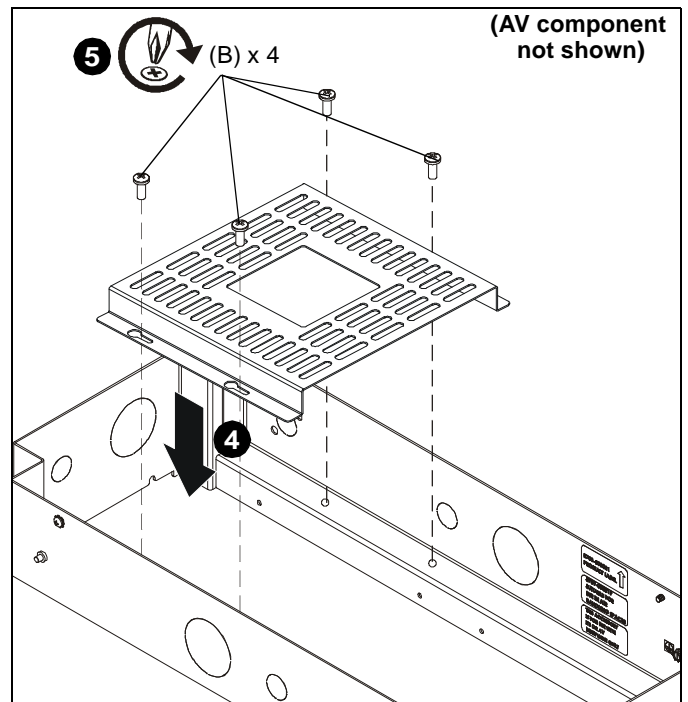


Figure 2

4. Attach AV component to CMSUNVU bracket (A) following instructions included with AV component.



Our Mounts. **Your Vision.**

Chief, a products division of
Milestone AV Technologies

8800-002587 Rev00
©2014 Milestone AV Technologies
www.chiefmfg.com
06/14

USA/International	A 6436 City West Parkway, Eden Prairie, MN 55344 P 800.582.6480 / 952.225.6000 F 877.894.6918 / 952.894.6918
Europe	A Franklinstraat 14, 6003 DK Weert, Netherlands P +31 (0) 495 580 852 F +31 (0) 495 580 845
Asia Pacific	A Office No. 918 on 9/F, Shatin Galleria 18-24 Shan Mei Street Fotan, Shatin, Hong Kong P 852 2145 4099 F 852 2145 4477

