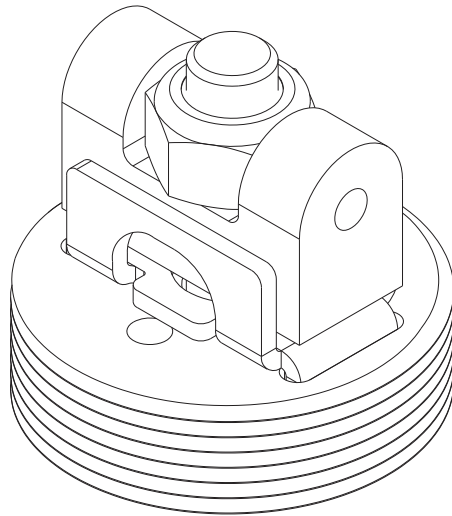

INSTALLATION INSTRUCTIONS



CPA Pin Connector Adapter

DISCLAIMER

Milestone AV Technologies and its affiliated corporations and subsidiaries (collectively "Milestone"), intend to make this manual accurate and complete. However, Milestone makes no claim that the information contained herein covers all details, conditions or variations, nor does it provide for every possible contingency in connection with the installation or use of this product. The information contained in this document is subject to change without notice or obligation of any kind. Milestone makes no representation of warranty, expressed or implied, regarding the information contained herein. Milestone assumes no responsibility for accuracy, completeness or sufficiency of the information contained in this document.

Chief® is a registered trademark of Milestone AV Technologies. All rights reserved.

DEFINITIONS

MOUNTING SYSTEM: A MOUNTING SYSTEM is the primary Chief product to which an accessory and/or component is attached.

ACCESSORY: AN ACCESSORY is the secondary Chief product which is attached to a primary Chief product, and may have a component attached or setting on it.

COMPONENT: A COMPONENT is an audiovisual item designed to be attached or resting on an accessory or mounting system such as a video camera, CPU, screen, display, projector, etc.



WARNING: A WARNING alerts you to the possibility of serious injury or death if you do not follow the instructions.



CAUTION: A CAUTION alerts you to the possibility of damage or destruction of equipment if you do not follow the corresponding instructions.



IMPORTANT SAFETY INSTRUCTIONS



WARNING: Failure to read, thoroughly understand, and follow all instructions can result in serious personal injury,

damage to equipment, or voiding of factory warranty! It is the installer's responsibility to make sure all components are properly assembled and installed using the instructions provided.



WARNING: Do not use this product outdoors.



WARNING: Failure to provide adequate structural strength for this component can result in serious personal injury or damage to equipment! It is the installer's responsibility to make sure the structure to which this component is attached can support five times the combined weight of all equipment. Reinforce the structure as required before installing the component.



WARNING: Exceeding the weight capacity can result in serious personal injury or damage to equipment! It is the installer's responsibility to make sure the combined weight of all components attached to the CPA265 does not exceed 50 lbs (22.68 kg).

- The weight capacity of the CPA265 may be limited to the lowest weight capacity of any other component located between the CPA265 and the supporting structure.



WARNING: Use this mounting system only for its intended use as described in these instructions. Do not use attachments not recommended by the manufacturer.



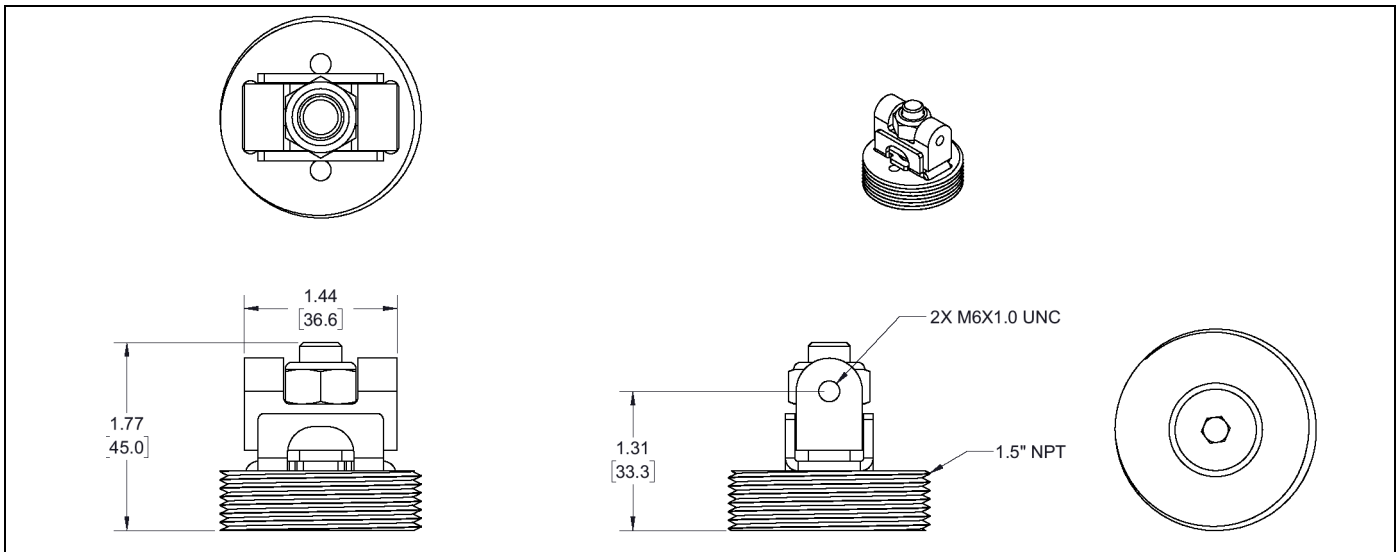
WARNING: Never operate this mounting system if it is damaged. Return the mounting system to a service center for examination and repair.

IMPORTANT ! : CPA265 is intended for use with UL Listed CPA Series pipes: CPA018, CPA024, CPA036, CPA048, CPA060, CPA072, CPA084, CPA096, CPA108, CPA120.

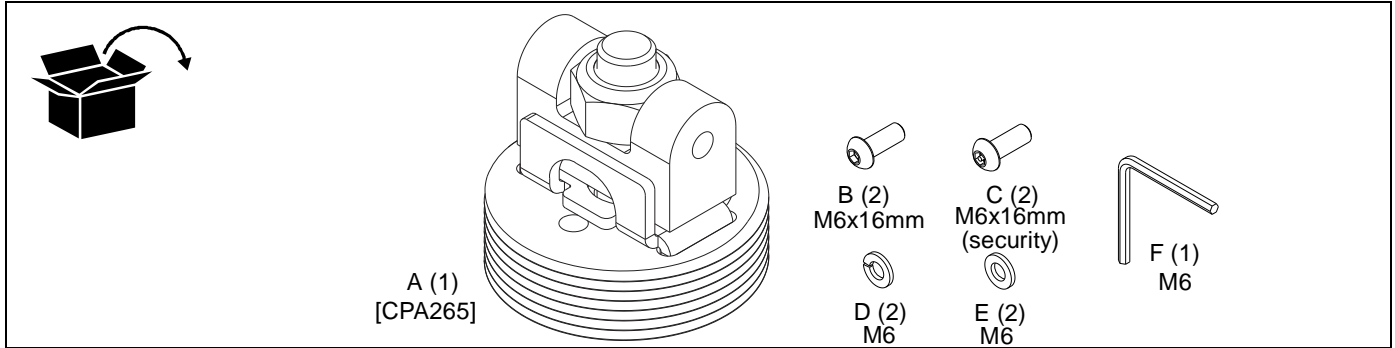
IMPORTANT ! : The CPA265 adapter is compatible with projector mounts with a 1 1/2" NPT threaded opening.

--SAVE THESE INSTRUCTIONS--

DIMENSIONS



PARTS FOR INSTALLATION



INSTALLATION

Installing to a CPA Pipe

1. Making sure holes are aligned on CPA265 (A) and CPA column (not included), lift CPA265 (A) into bottom opening of CPA column. (See Figure 1)
2. Install either one M6x16 button head screw (B) or security screw (C) through M6 lock washer (D) and M6 flat washer (E) into hole on side of CPA pipe where the adapter plate on CPA265 is located. (See Figure 1)
3. On the opposite side of CPA pipe, use the other M6x16 button head screw (B) or security screw (C), an M6 lock washer (D) and an M6 flat washer (E) to secure CPA265 to CPA column. (See Figure 1)

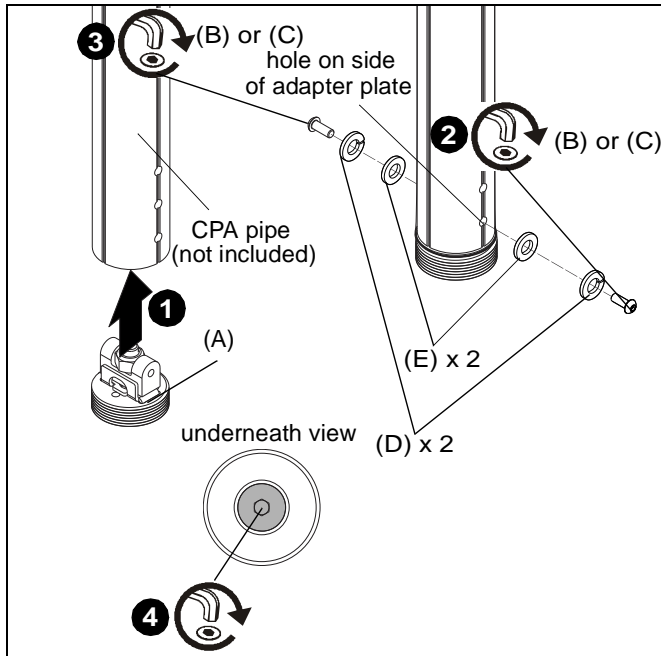


Figure 1

4. Use "L"-shaped M6 hex key (F) to tighten bottom bolt. (See Figure 1)

Install to Projector Mount

IMPORTANT ! : The CPA265 adapter is compatible with projector mounts with a 1 1/2" NPT threaded opening.

1. Thread projector mount (not included) onto the CPA265 (A) until hand tight.
2. Turn projector mount clockwise or counter-clockwise until front of mount is facing target.

3. Secure projector mount to pipe by turning set screw with a 5/32" hex key until tight.



CAUTION: DO NOT OVERTIGHTEN! Over-tightening of set screw can damage threads on pipe.

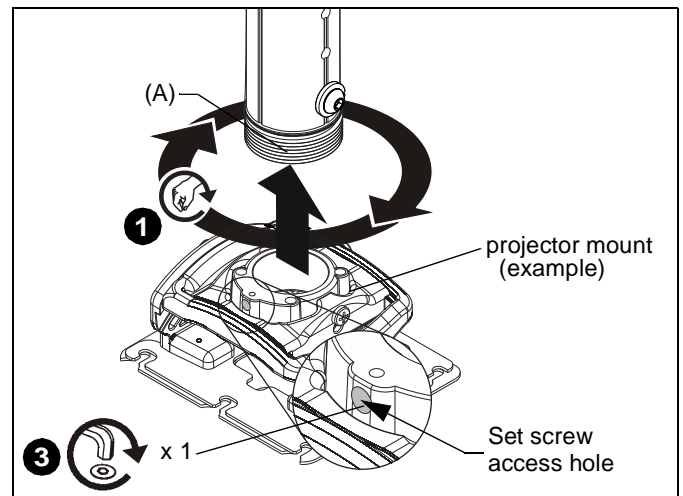


Figure 2

4. Turn security screw (access from bottom of projector mount) (See Figure 3) using a Phillips screwdriver until set screw cannot be seen through set screw access hole in projector mount. (See Figure 3)

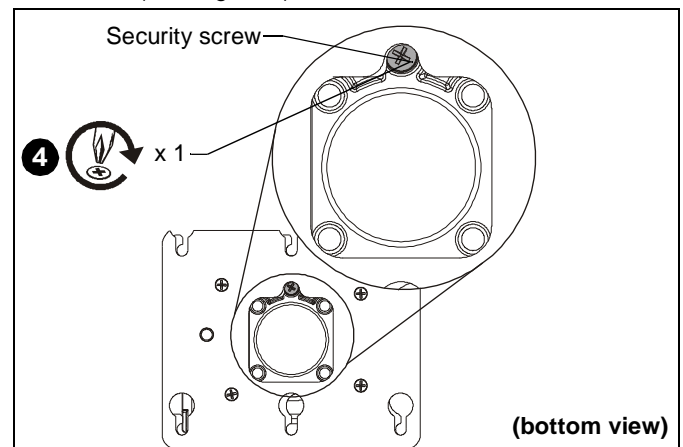


Figure 3



Our Mounts. **Your Vision.**

Chief, a products division of
Milestone AV Technologies

8800-002991 Rev00
©2017 Milestone AV Technologies
www.milestone.com
09/17

USA/International	A 6436 City West Parkway, Eden Prairie, MN 55344
	P 800.582.6480 / 952.225.6000
	F 877.894.6918 / 952.894.6918
Europe	A Franklinstraat 14, 6003 DK Weert, Netherlands
	P +31 (0) 495 580 852
	F +31 (0) 495 580 845
Asia Pacific	A Office No. 918 on 9/F, Shatin Galleria 18-24 Shan Mei Street Fotan, Shatin, Hong Kong
	P 852 2145 4099
	F 852 2145 4477

