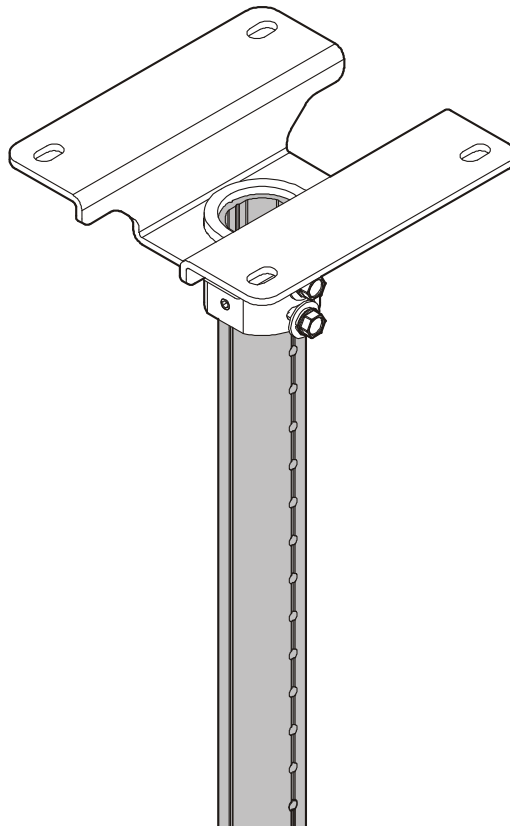

INSTALLATION INSTRUCTIONS



Perforated Extension Columns

DISCLAIMER

Milestone AV Technologies and its affiliated corporations and subsidiaries (collectively "Milestone"), intend to make this manual accurate and complete. However, Milestone makes no claim that the information contained herein covers all details, conditions or variations, nor does it provide for every possible contingency in connection with the installation or use of this product. The information contained in this document is subject to change without notice or obligation of any kind. Milestone makes no representation of warranty, expressed or implied, regarding the information contained herein. Milestone assumes no responsibility for accuracy, completeness or sufficiency of the information contained in this document.

Chief® is a registered trademark of Milestone AV Technologies. All rights reserved.

IMPORTANT SAFETY INSTRUCTIONS

WARNING: A WARNING alerts you to the possibility of serious injury or death if you do not follow the instructions.

CAUTION: A CAUTION alerts you to the possibility of damage or destruction of equipment if you do not follow the corresponding instructions.

WARNING: Failure to read, thoroughly understand, and follow all instructions can result in serious personal injury, damage to equipment, or voiding of factory warranty! It is the installer's responsibility to make sure all components are properly assembled and installed using the instructions provided.

WARNING: Failure to provide adequate structural strength for this component can result in serious personal injury or damage to equipment! It is the installer's responsibility to

make sure the structure to which this component is attached can support five times the combined weight of all equipment. Reinforce the structure as required before installing the component.

WARNING: Exceeding the weight capacity can result in serious personal injury or damage to equipment! It is the installer's responsibility to make sure the combined weight of all components located within the mounting system of the CPA Perforated Extension Columns does not exceed 500 lbs (226.8 kg).

- The weight capacity of the CPA Perforated Extension Columns may be LIMITED to the lowest weight capacity of any other component or accessory used within the mounting system.

WARNING: Use this mounting system only for its intended use as described in these instructions. Do not use attachments not recommended by the manufacturer.

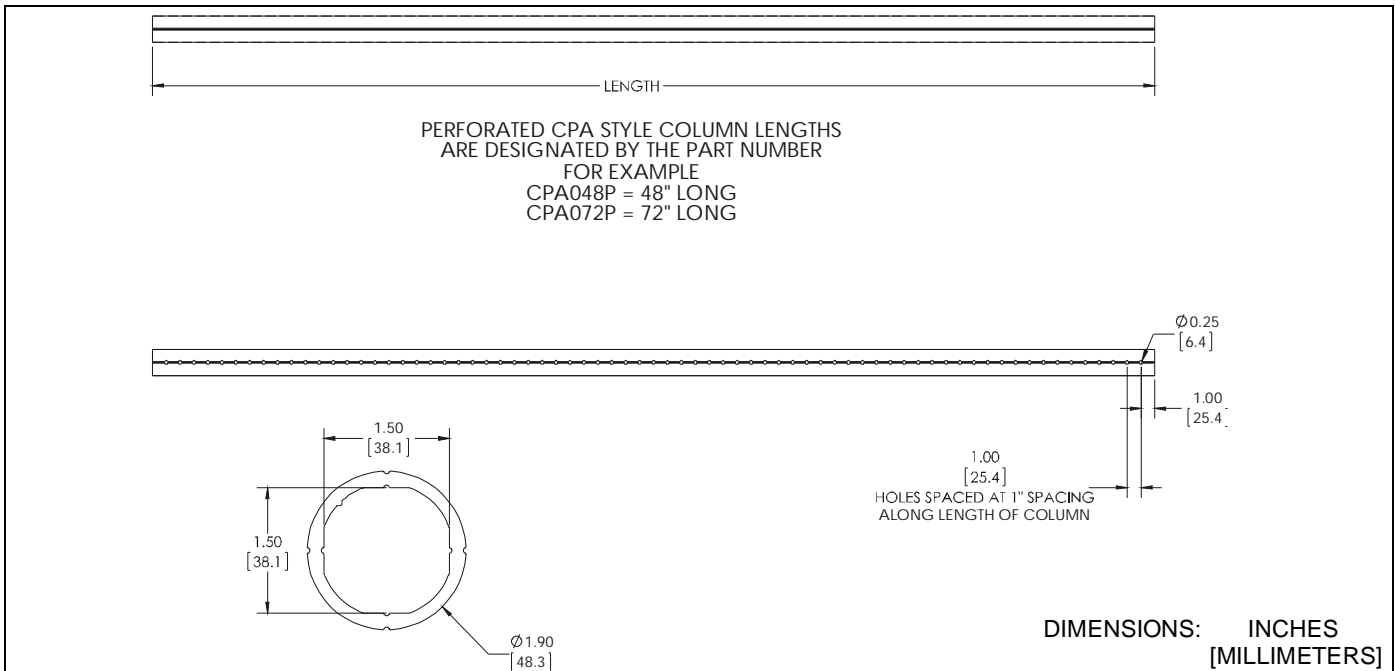
WARNING: Never operate this mounting system if it is damaged. Return the mounting system to a service center for examination and repair.

WARNING: Do not use this product outdoors.

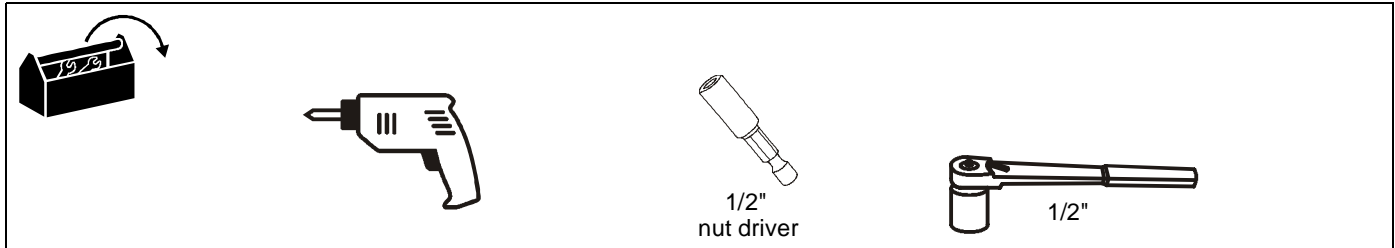
NOTE: CPA Perforated Extension Columns are intended to be used with the UL Listed CPA Ceiling Plates; CPA Adapters; Ceiling Mount Models LCM1U, MCM1U, RLC1, RMC1; Ceiling Mounted Video Wall Models LCM2X2U, LCM3X2U, LCM3X3U; Ceiling Mounted Menu Board Models LCM2X1U, LCM2X1UP, LCM3X1U, LCM3X1UP (not included).

--SAVE THESE INSTRUCTIONS--

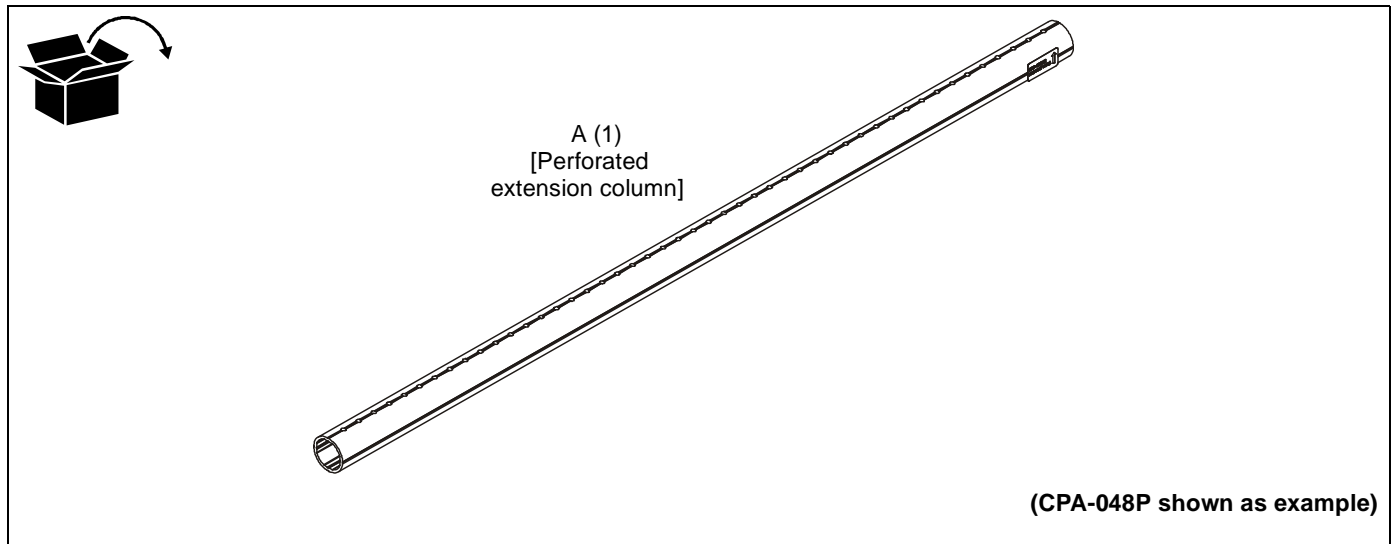
DIMENSIONS



TOOLS REQUIRED FOR INSTALLATION



PARTS



INSTALLATION

IMPORTANT ! : The following procedure assumes that the UL Listed CPA ceiling plate or CPA adapter (not included) has been properly installed following instructions provided with ceiling plate or adapter.

NOTE: CPA Perforated Extension Columns are intended to be used with the UL Listed CPA Ceiling Plates; CPA Adapters; Ceiling Mount Models LCM1U, MCM1U, RLC1, RMC1; Ceiling Mounted Video Wall Models LCM2X2U, LCM3X2U, LCM3X3U; Ceiling Mounted Menu Board Models LCM2X1U, LCM2X1UP, LCM3X1U, LCM3X1UP (not included).

1. OPTIONAL: Route cables through extension column (A).
2. Install UL Listed CPA Series Perforated Extension column into UL Listed CPA ceiling plate or CPA adapter (not included) following instructions included with ceiling plate or adapter.

NOTE: Installation of hex head self-tapping screws (included with Listed Chief accessories and mounts) will be easier when screws are carefully aligned with holes in extension column, and a drill and nut driver is used. If a drill will NOT be used, a small amount of pressure will be needed to get the self-tapping screws started.

3. Secure extension column following instructions included with ceiling plate or adapter.



WARNING: Exceeding the weight capacity can result in serious personal injury or damage to equipment! It is the installer's responsibility to make sure the combined weight of all components located within the mounting system of the CPA Perforated Extension Columns does not exceed 500 lbs (226.8 kg).

- The weight capacity of the CPA Perforated Extension Columns may be LIMITED to the lowest weight capacity of any other component or accessory used within the mounting system.



Our Mounts. **Your Vision.**

Chief Manufacturing, a products division
of Milestone AV Technologies

8800-002378 Rev00
©2013 Milestone AV Technologies, a
Duchossois Group Company
www.chiefmfg.com
05/13

USA/International	A 6436 City West Parkway, Eden Prairie, MN 55344
	P 800.582.6480 / 952.225.6000
	F 877.894.6918 / 952.894.6918
Europe	A Franklinstraat 14, 6003 DK Weert, Netherlands
	P +31 (0) 495 580 852
	F +31 (0) 495 580 845
Asia Pacific	A Office No. 1 on 12/F, Shatin Galleria 18-24 Shan Mei Street Fotan, Shatin, Hong Kong
	P 852 2145 4099
	F 852 2145 4477

