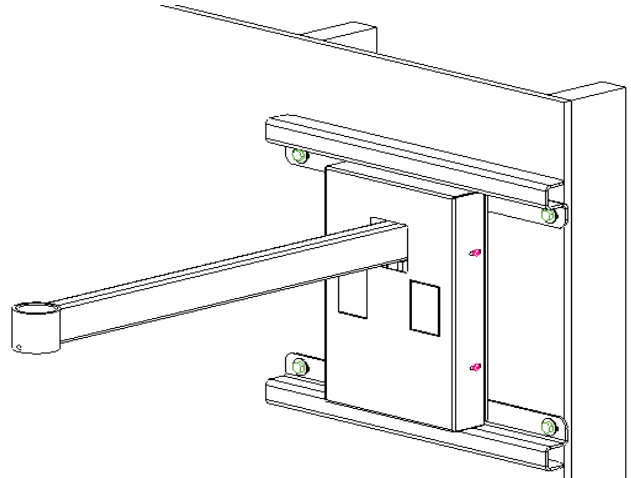

INSTALLATION INSTRUCTIONS

CTA-225 Dual Stud Wall Arm

The CTA-225 has a maximum weight capacity of 300 lbs. (136.1 kg).

The wall arm on the CTA-225 is 25.2" in length from the wall mount, providing ample room to install and position a small or large TV/Monitor.

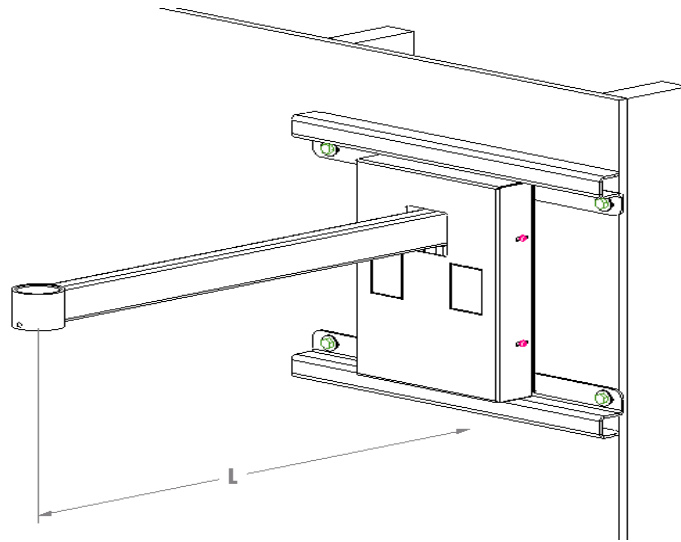


CTA-225 Dual Stud Wall Arm

BEFORE YOU BEGIN

- **CAUTION:** To prevent damage to your equipment, which could affect or void the Factory warranty, thoroughly study all instructions and illustrations before you begin to install the CTA-225. Pay particular attention to the Warnings and Cautions in this document.
- If you have any questions about this installation, contact Chief Manufacturing at 1-800-582-6480 or 952-582-6480.

CTA-225 – SPECIFICATIONS



(L) Length

Table 1. CTA-225 Specifications

Model	L-Length (fixed)	Max Support Weight
CTA-225	25.2"	300 lbs (136.1 kg)

! IMPORTANT WARNINGS and CAUTIONS!

WARNING	A WARNING alerts you to the possibility of serious injury or death if you do not follow the instructions.
CAUTION	A CAUTION alerts you to the possibility of damage or destruction of equipment if you do not follow the corresponding instructions.
WARNING	Improper installation can result in serious personal injury! Make sure that the mounting surface can support a redundant weight factor <i>five times</i> the total weight of the equipment: if not, reinforce the mounting surface structural members before installing the mount.
WARNING	Be aware of the potential for personal injury or damage to the equipment if it is not adequately mounted.
WARNING	The installer is responsible for verifying that the mounting surface to which the CTA-111 is anchored will safely support the combined load of all attached components or other equipment.
WARNING	The combined weight of the TV/monitor and all attached components and equipment placed on a Chief Wall Arm must not exceed 300 lbs. (136.1 kg), the maximum support weight of the CTA-225.
WARNING	Watch for pinch points. Do not put your fingers between movable parts.
CAUTION	Check the unit for shipping damage before you begin the installation.

CONTENTS

CTA-225 – SPECIFICATIONS.....2
 CONTENTS.....3
 INSPECT THE UNIT BEFORE INSTALLING3
 PARTS4
 TOOLS REQUIRED FOR INSTALLATION5
 INSTRUCTIONS.....5
 Installing Top Stud Spanning Adapter to Wall5
 Attaching Stud Spanning Adapter to Wall Arm.....6
 Attaching Wall Arm to Wall-Mounted Top Stud Spanning Adapter6
 Attaching Bottom Stud Spanning Adapter to Wall7
 Attaching Front Cover.....7
 Connecting NPT Pipe or Nipple to Wall Arm.....7

INSPECT THE UNIT BEFORE INSTALLING

Unpack the carton. Carefully inspect the parts for shipping damage. Verify contents listed in Table 2.

If you are missing any of the listed parts, contact Customer Service at: 1-800/582-6480.300.

Table 2. Shipping Contents

ITEM	DESCRIPTION	QTY
10	Wall Arm	1
20	16” Spanning adapter	2
30	Front Cover	1
40	5/16 X 2.5” Lag Bolt	4
50	5/16 Flat Washer	4
60	M8 Flat Washer	6
70	M8 Lock Washer	6
80	M8 Hex Nut	6
90	M4 X 8mm Phillips Head Cap Screw	4
100	M6 X 6mm Set Screw	1
110	M3 Allen Key (not shown)	1

PARTS

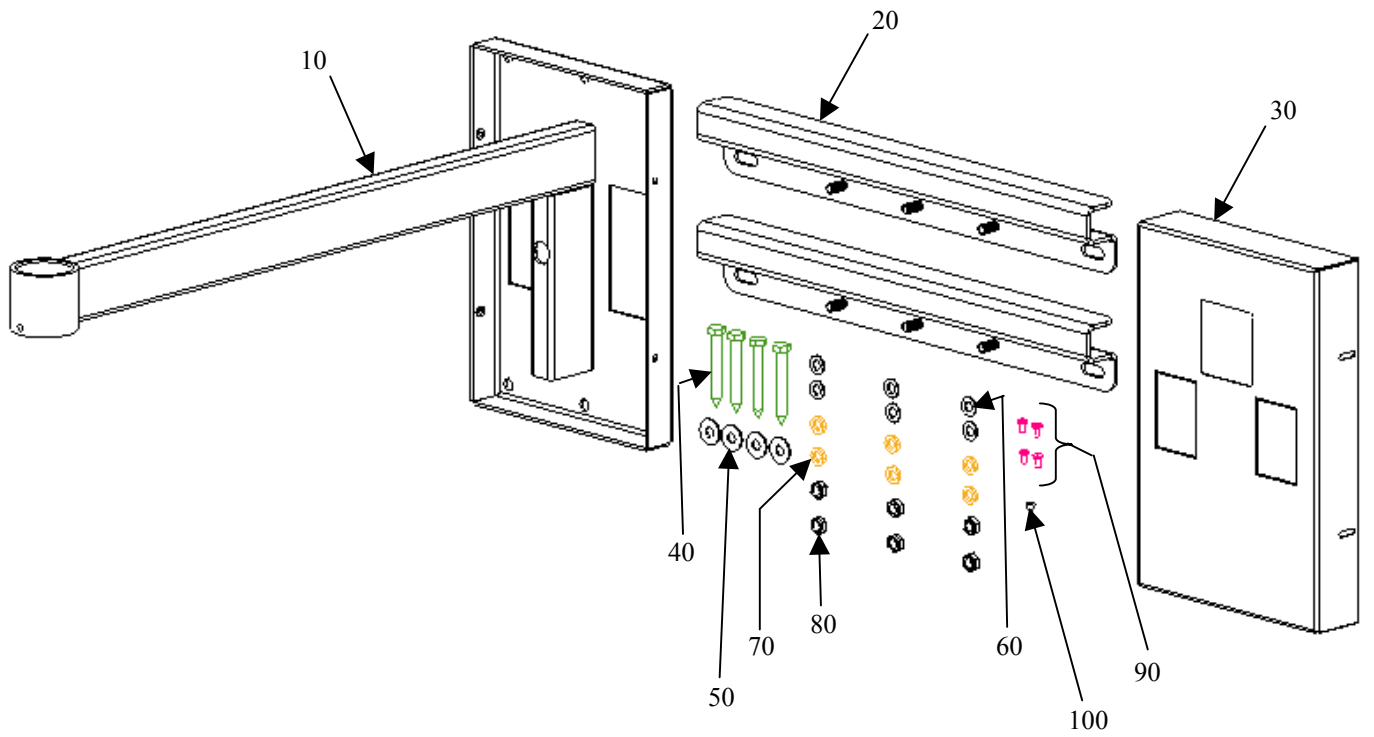


Figure 1. CTA-225 Parts

TOOLS REQUIRED FOR INSTALLATION

The tools required for installation are as follows:

- Electric drill and bit set
- Stud sensor (mechanical or electronic)
- ½" box-end wrench or ratchet with ½" socket
- 13mm box-end wrench or ratchet with 13mm socket
- Level

NOTE: Other tools may be required depending on your method of installation.

INSTRUCTIONS

STEP 1

Installing Top Stud Spanning Adapter to Wall

NOTE: The top and bottom stud-spanning adapters must be mounted to wood studs that are 16" apart on center. See Figure 2.

1. Locate the top 16" stud-spanning adapter (20), four lag bolts (40), and four flat washers (50).

WARNING

It is the installer's responsibility to verify that the structure to which the mount is anchored will safely support **five times** the combined load of all attached components and equipment.

2. Determine a suitable mounting location. Keep in mind that both stud-spanning adapters (20) must be mounted to wood studs that are 16" apart on center.
3. Using a stud sensor, locate the two wood studs where you will mount the top stud-spanning adapter (20).
4. Holding the top stud-spanning adapter (20) against the wall, use a pencil, awl, or small nail to mark the mounting holes where two pilot holes will be drilled into the center of the wood studs. Make sure that the mounting holes in the unit are level.
5. Using a 15/64" drill bit, drill two pilot holes for anchoring the top stud-spanning adapter (20).
6. Using two 5/16" lag bolts (40) and two 5/16" flat washers (50), install the top stud-spanning adapter (20) on the wall.

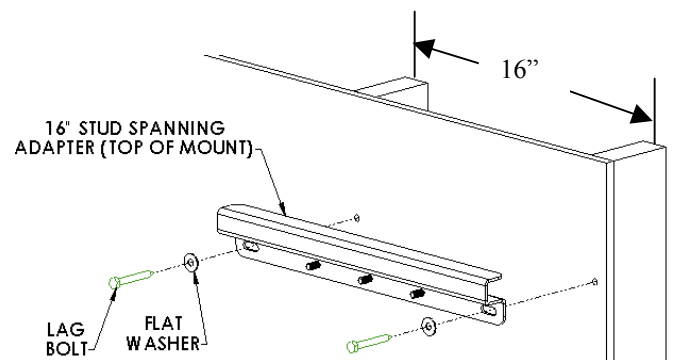


Figure 2. Install Stud Spanning Adapter

STEP 2

Attaching Stud Spanning Adapter to Wall Arm

1. Locate the wall arm (10), bottom 16" stud-spanning adapter (20), three M8 hex nuts (80), three M8 lock washers (70), and three M8 flat washers (60).
2. Attach the wall arm (10) to the bottom 16" stud-spanning adapter (20) using three M8 hex nuts (80), three M8 lock washers (70), and three M8 flat washers (60). Tighten hex nuts. See Figure 3.

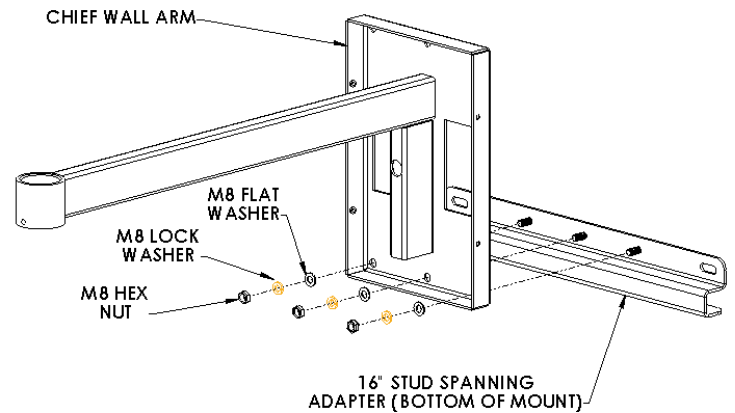


Figure 3. Attach Stud Spanning Adapter to Wall Arm

STEP 3

Attaching Wall Arm to Wall-Mounted Top Stud Spanning Adapter

1. Locate three M8 hex nuts (80), three M8 lock washers (70), and three M8 flat washers (60).
2. With an assistant, perform the following steps:
 - a. Lift the wall arm (10) onto the top wall-mounted 16" stud-spanning adapter (20). See Figure 4.
 - b. Secure the wall arm (10) to the top wall-mounted 16" stud-spanning adapter (20) using three M8 hex nuts (80), three M8 lock washers (70), and three M8 flat washers (60). Tighten hex nuts.

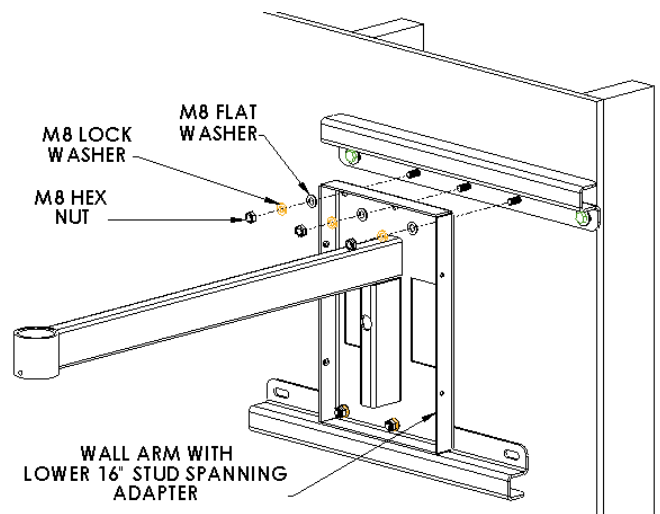


Figure 4. Attach Wall Arm to Wall-Mounted Stud Spanning Adapter

STEP 4

Attaching Bottom Stud Spanning Adapter to Wall

1. Locate two lag bolts (40) and two flat washers (50).
2. Using a 15/64" drill bit, drill two pilot holes for anchoring the bottom stud-spanning adapter (20).
3. Using two 5/16" lag bolts (40) and two 5/16" flat washers (50), secure the bottom stud-spanning adapter (20) on the wall. See Figure 5.

NOTES

- The front cover may be partially removed and reinstalled to conceal power/audio/video cables after the TV/Mount is installed.
- You may remove one or both knockouts on cover to assist routing to wall through cover.

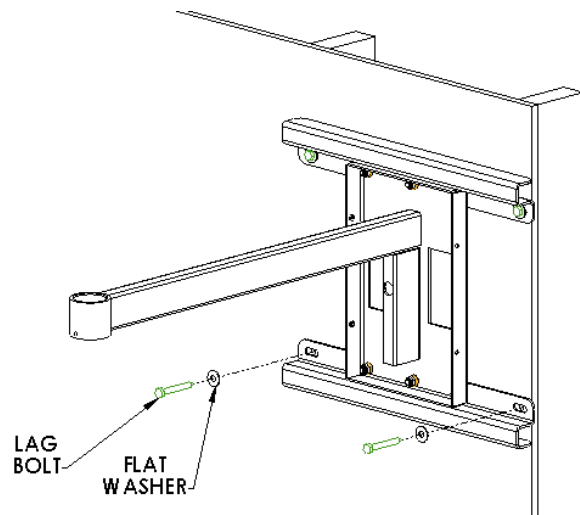


Figure 5. Attach Bottom Stud Spanning Adapter to Wall

STEP 5

Attaching Front Cover

1. Locate front cover (30) and four M4 8mm Phillips head cap screws (90).
2. Install the front cover (30) using four M4 8mm Phillips head cap screws (90). See Figure 6.

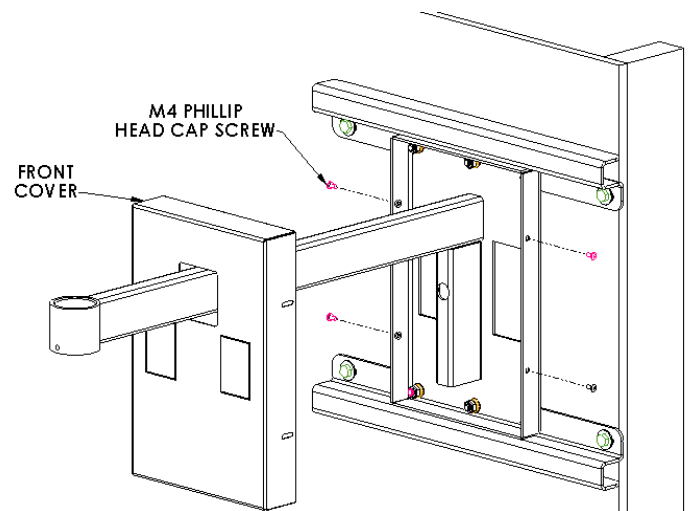


Figure 6. Attach Front Cover

STEP 6

Connecting NPT Pipe or Nipple to Wall Arm

1. Locate M6 x 6mm set screw (100) and 1-1/2" NPT pipe or nipple (supplied with TV Mount or purchased separately).
2. Connect the 1-1/2" NPT pipe or nipple (supplied with TV Mount or purchased separately) to the wall arm (10). See Figure 7.
3. Using the M3 Allen key (110, supplied), install the M6 x 6mm set screw (100). Tighten the set screw.

WARNING

Make sure to tighten the M6 x 6mm set screw (100) to prevent equipment damage or personal injury.

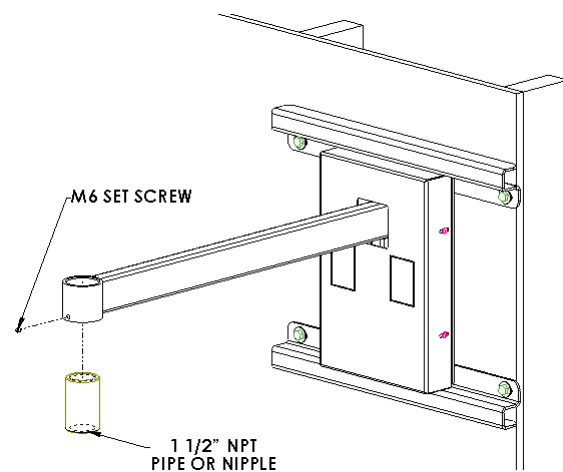


Figure 7. Connect NPT Pipe or Nipple to Wall Arm

