
INSTALLATION INSTRUCTIONS

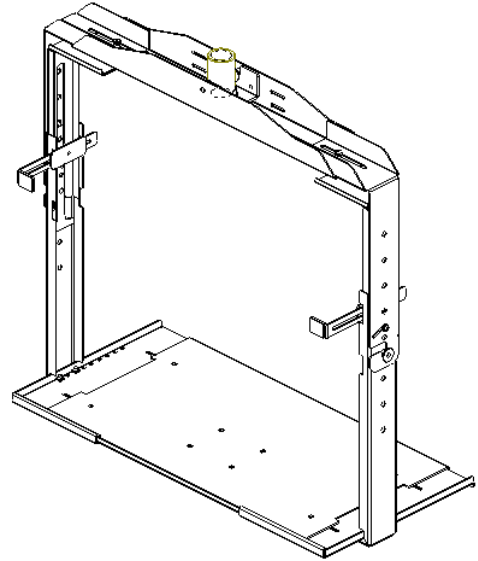
CTV-3036 TV/MONITOR MOUNT

The CTV-3036 series mounts are used to mount TV/monitors to ceilings and walls.

Adjustments include forward pitch, swivel, roll, and tray/height.

The CTV mounts are offered in two model numbers. The model number matches the screen size range that fits the mount. Each mount has a different maximum weight capacity, depending upon the TV/monitor size.

The CTV mount specifications are provided on page 2 in this document.



CTV-3036 Series Mount

BEFORE YOU BEGIN

- **CAUTION:** To prevent damage to your monitor, which could affect or void the Factory warranty, thoroughly study all instructions and illustrations before you begin to install the mount brackets. Pay particular attention to the Warnings and Cautions in this document.
- If you have any questions about this installation, contact Chief Manufacturing at 1-800-582-6480 or 952-582-6480.
- The CTV-3036 is UL listed when used with the following UL listed accessories made by Chief Manufacturing:

CMA-100 8"Ceiling Plate with Attached Adjustable
1-1/2" NPT Column
CMA-110 8"Ceiling Plate with 1-1/2" NPT Opening
CMA-115 6"Ceiling Plate with 1-1/2" NPT Opening
CMA-330 Offset Ceiling Plate
CMA-345 Structural Ceiling Plate with Flexible Joints

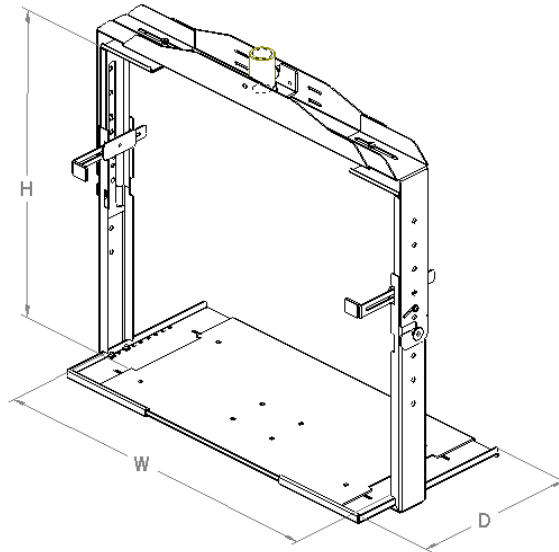
CMA-362 C-Clamp
CMA-395 100 Degree Angled Ceiling Plate with Threaded Coupler
CMA-0xx Fixed Extension Columns
CMA-0xx Adjustable Extension Columns
QD-1 Quick Disconnect



CHIEF MANUFACTURING INC.
1-800-582-6480 952-894-6280 FAX 952-894-6918
8401 EAGLE CREEK PARKWAY, STE. 700
SAVAGE, MINNESOTA 55378 USA

8809-000023 (Rev. B)
2004 Chief Manufacturing
www.chiefmfg.com

MOUNT SPECIFICATIONS



(H) Height, (W) Width, and (D) Depth

Table 1. Mount Specifications

Model	TV/Monitor Screen Size	W-Width Adjustment	H-Height Adjustment	D-Tray Depth (fixed)	Max Support Weight
CTV-3036	30" – 36"	28" – 36"	21.75" – 34"	14.75"	300 lbs (136.1 kg)

 **IMPORTANT WARNINGS and CAUTIONS!**

WARNING	A WARNING alerts you to the possibility of serious injury or death if you do not follow the instructions.
CAUTION	A CAUTION alerts you to the possibility of damage or destruction of equipment if you do not follow the corresponding instructions.
WARNING	Improper installation can result in serious personal injury! Make sure that the mounting surface can support a redundant weight factor <i>five times</i> the total weight of the equipment: if not, reinforce the mounting surface structural members before installing the mount.
WARNING	Be aware of the potential for personal injury or damage to the equipment if it is not adequately mounted. Refer to Table 1. Mount Specifications on page 2 for the weight of the mount without a display.
WARNING	The installer is responsible for verifying that the mounting surface to which the mount is anchored will safely support the combined load of all attached components or other equipment.
WARNING	The combined weight of the TV/monitor placed on the mount must not exceed the maximum support weight of the mount. Refer to Table 1. Mount Specifications on page 2 for the weight of the mount without a display.
WARNING	Watch for pinch points. Do not put your fingers between movable parts.
CAUTION	Check the unit for shipping damage before you begin the installation.

CONTENTS

MOUNT SPECIFICATIONS2

TOOLS REQUIRED FOR INSTALLATION4

SHIPPING CONTENTS.....4

PARTS5

INSTALLATION INSTRUCTIONS.....6

 Assembling the Tray Assembly.....6

 Adjusting the Button Plates on Side Brackets7

 Installing Covers on Roll Out Brackets.....7

 Installing Pads on Top Placement Brackets7

 Assembling the Side Brackets8

 Attaching Side Brackets to End Trays.....9

 Placing the Monitor on the Center Tray10

 Assembling the Top Center Bracket.....11

 Attaching Support Brackets to Center Bracket.....11

 Attaching Center Tray12

 Installing Quick-Connect Bracket13

 Connect and Secure CTV Mount13

 Disconnect and Remove CTV Mount14

TOOLS REQUIRED FOR INSTALLATION

- Phillips screwdriver
- Pipe Wrench
- M3 Allen Wrench (included)

NOTE: Other tools may be required depending on your method of installation.

SHIPPING CONTENTS

BEFORE PROCEEDING: Unpack the carton. Verify contents listed in:

- Table 2 and Figure 1
- Table 3 and Figure 2

Read installation instructions completely. If you are missing any of the listed components, contact Customer Service at: 1-800/582-6480.300.

Table 2. Parts List

ITEM	DESCRIPTION	QTY
10	Tray, Center	1
20	Tray, Left	1
30	Tray, Right	1
40	Bottom Side Bracket	2
50	Button Plate	2
60	Mounting Button	4
70	Roll Out Bracket	2
80	Rubber Cover, Black	2
90	Top Placement Bracket	2
100	4.25 X 1.75 Thin Foam Pad	2
110	Threaded Plate	2
120	Top Center Bracket	1
130	Top Left Bracket- LH	1
140	Top Left Bracket- RH	1
150	Quick-Connect Bracket	1
160	3" X 1.5" NPT Standard Pipe	1

Table 3. Hardware List

ITEM	DESCRIPTION	QTY
CC	M5 X 8mm Phillips Head Cap Screw	4
DD	M6 Flat Washer	18
EE	M6 X 25mm Flat Head Cap Screw	2
FF	M6 X 25mm Phillips Head Cap Screw	4
GG	M6 Square Nut	4
HH	M6 X 12mm Phillips Head Cap Screw	10
II	M6 X 6mm Set Screw	1
JJ	M3 Allen Wrench	1

PARTS

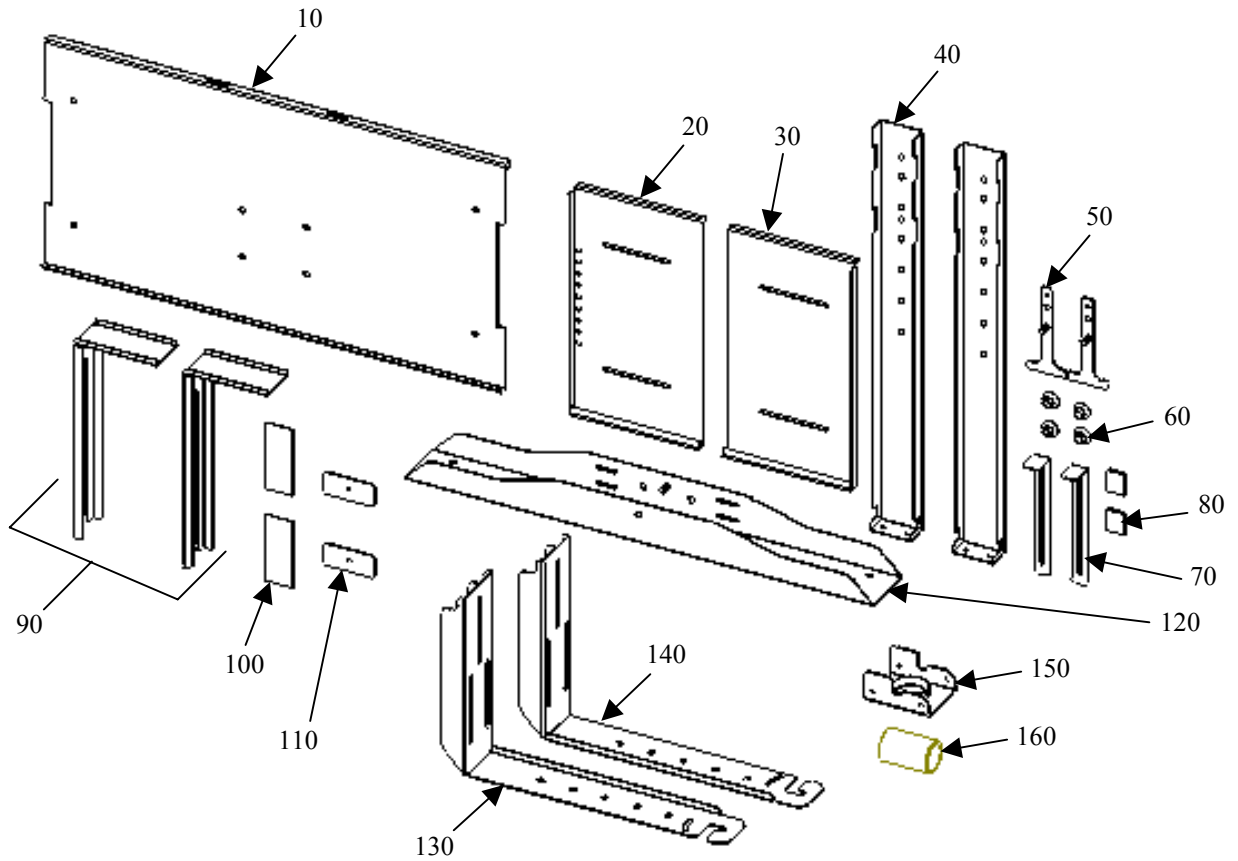


Figure 1. CTV-3036 Piece Parts Assembly

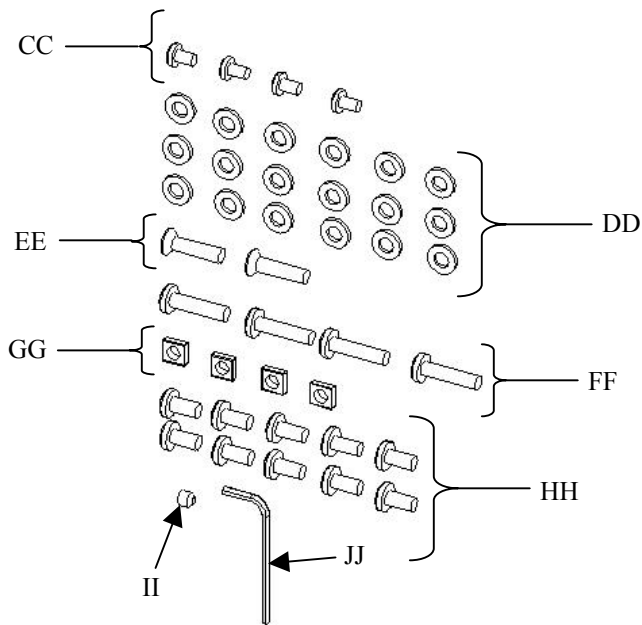


Figure 2. CTV Hardware Kit

INSTALLATION INSTRUCTIONS

STEP 1

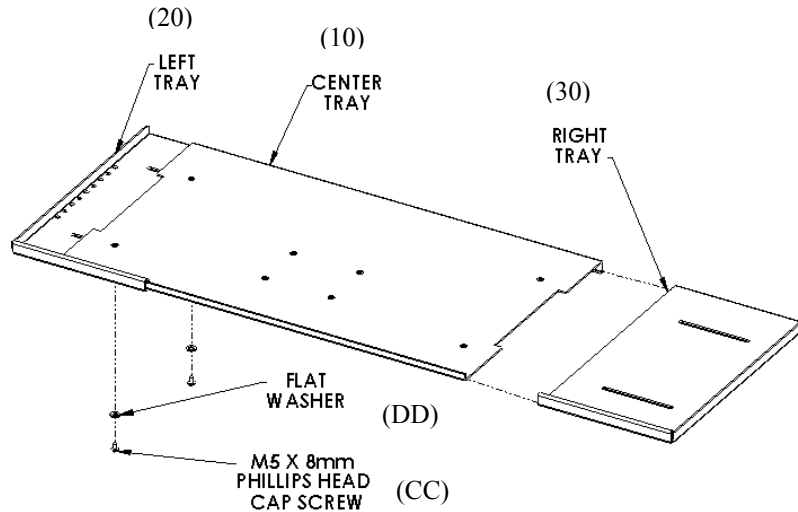


Figure 3. Attach End Trays to Center Tray

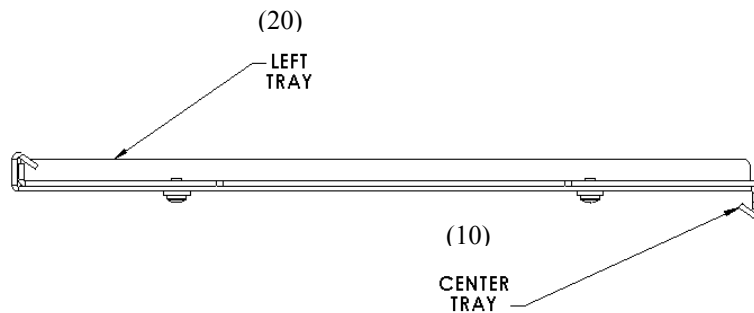


Figure 4. Interlock the Flanges on Center Tray

Assembling the Tray Assembly

Assemble the tray assembly, as follows:

1. Attach each end tray (20 and 30, Figure 3) onto the center tray (10) by interlocking the flanges on the center tray (Figure 4).
2. Align the holes and slots and insert four M5 X 8mm Phillips cap screws (CC) and flat washers (DD) through the bottom as shown in Figure 3.

NOTE: The tray assembly will be adjusted to fit your monitor at a later step.

3. Attach the cap screws (CC) and washers (DD) loosely. These parts will be tightened later.

STEP 2

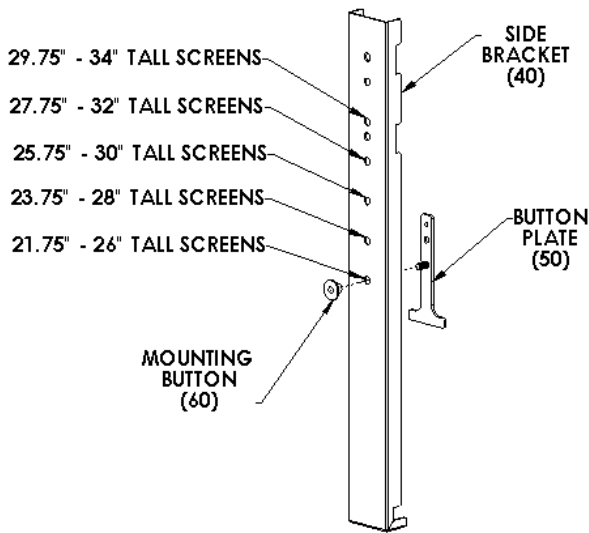


Figure 5. Adjust Button Plate on Side Plate

Adjusting the Button Plates on Side Brackets

Adjust button plates on side plates, as follows:

1. Determine the height of your monitor. If necessary, use a tape measure.
2. Attach mounting button (60) and button plate (50) to bottom side bracket (40) using the correct hole depending on screen height. See Figure 5.
3. Repeat procedure for second side bracket.

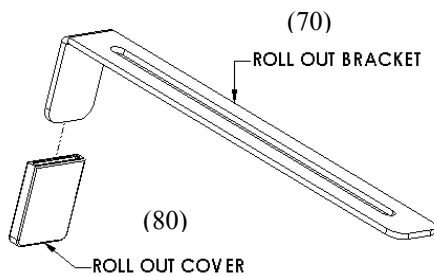


Figure 6. Install Roll Out Covers

Installing Covers on Roll Out Brackets

Install covers on roll out brackets, as follows:

1. Install roll out cover (80) on roll out bracket (70). See Figure 6.
2. Repeat procedure for other roll out bracket.

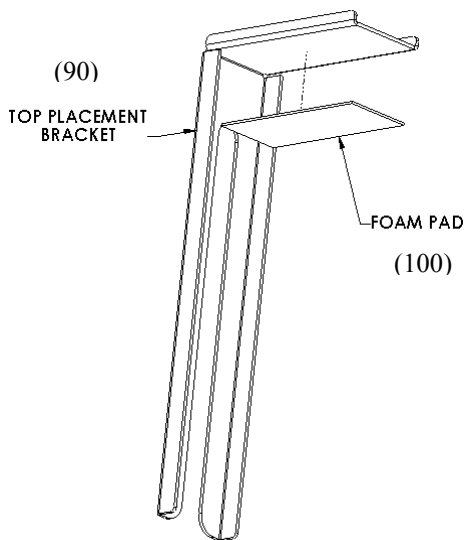


Figure 7. Install Foam Pads

Installing Pads on Top Placement Brackets

Install foam pads on top placement brackets, as follows:

1. Locate both top placement brackets (90) and the foam pads (100).
2. Remove the protective strip to expose the adhesive on the foam pad (100).
3. Carefully apply the foam pad (100) on the top placement bracket (90) as shown in Figure 7.
4. Repeat procedure for other top placement bracket.

STEP 3

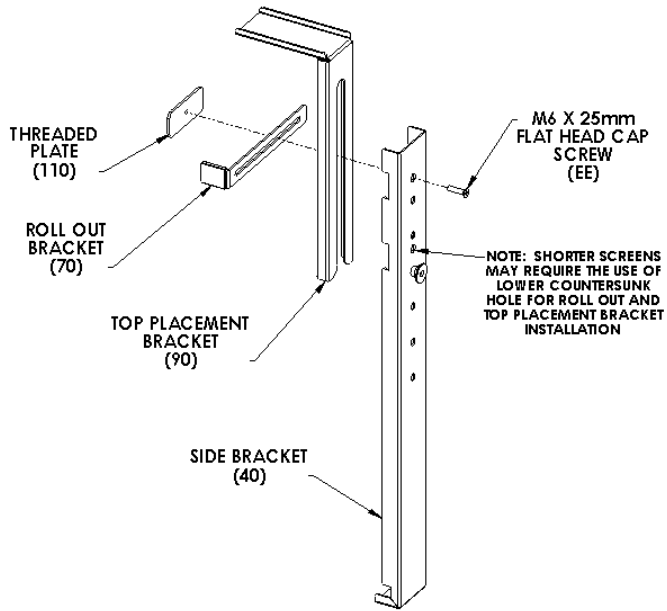


Figure 8. Assemble the Side Brackets

Assembling the Side Brackets

Assemble the side brackets, as follows:

1. Insert one M6 X 25mm flat head cap screw (EE) into countersunk hole on the bottom side bracket (40).

NOTE: Shorter screens may require the use of the lower countersunk hole for roll out and top placement bracket installation.

2. Install the threaded plate (110) and roll out bracket (70) in the notched cutout on the side bracket (40). Do not tighten the cap screw (EE) at this point.
3. Slide the top placement bracket (90) inside the side bracket (40). Make sure that the L-shape top placement bracket is turned in the right direction as shown in Figure 8.
4. Repeat procedure for second side bracket.

STEP 4

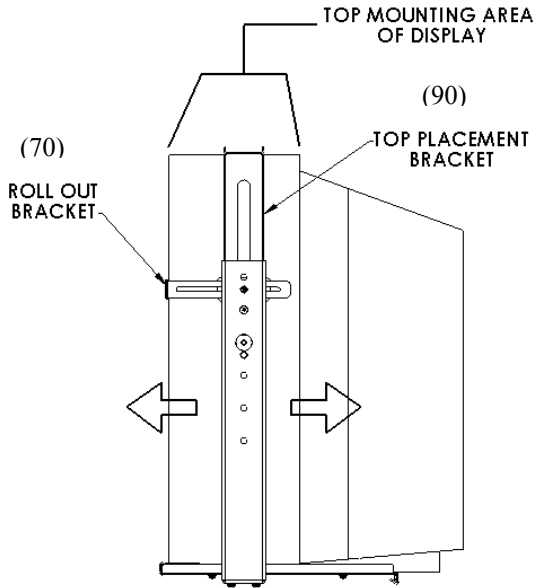


Figure 9. Determine Mounting Area of Monitor

Attaching Side Brackets to End Trays

Attach side brackets to end trays, as follows:

NOTE: The top mounting area (size) of your monitor is required to determine which set of end tray mounting holes to use.

1. Determine the top mounting area of your monitor. See Figure 9. If necessary, use a tape measure.
2. With the mounting area (size) in mind, position the assembled side brackets (40) at the mid point of the monitor top.
3. Mark the location of the set of holes in the end trays (20 or 30) that are closest to mounting holes in the side bracket (40). See Figure 10.
4. Align the holes and install two M6 square nuts (GG), two flat washers (DD), and two M6 X 25mm Phillips head cap screws (FF) in the mounting holes as shown in Figure 10. Tighten the cap screws (FF) securely.
5. Repeat procedure to attach the other side bracket to the other end tray.

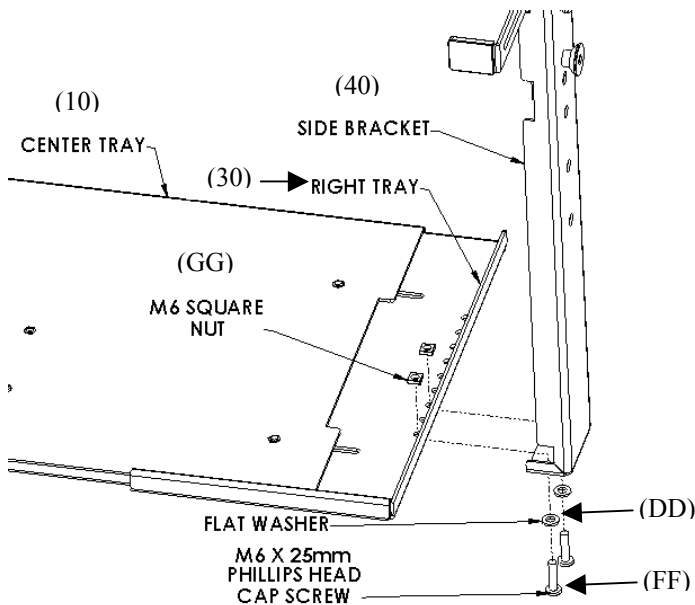


Figure 10. Attach Side Brackets to End Trays

STEP 5

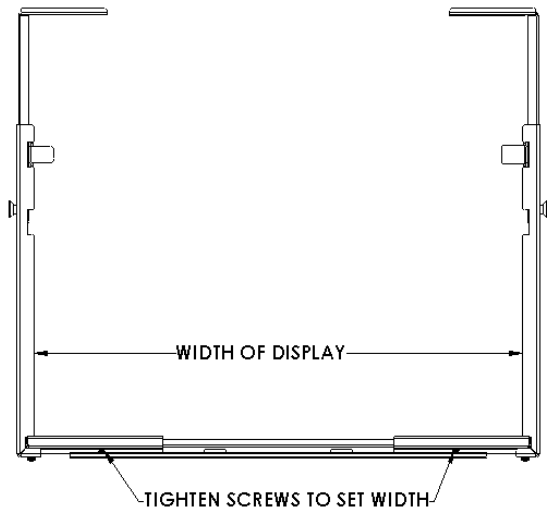


Figure 11. Measure Width of Display

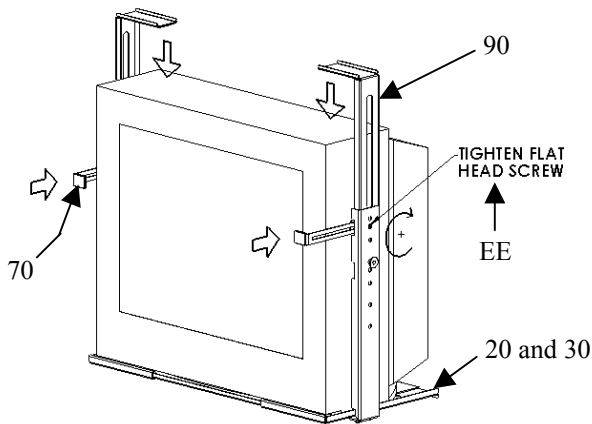


Figure 12. Place Monitor on Mount

Placing the Monitor on the Center Tray

Place the monitor on the center tray, as follows:

1. Determine the width of your monitor (see Figure 11). If necessary, use a tape measure.
2. Slide the end plates (20 and 30) to match the width of your monitor. See Figure 12.
3. Tighten all four cap screws (CC) on bottom of trays (20 and 30). Refer to Figure 11.

WARNING: Monitors are usually heavy and difficult to move. Exercise extreme caution when moving the monitor to avoid personal injury and/or equipment damage.

4. With the assistance of another person, carefully place the monitor on the center plate. Slide the monitor onto the center tray (10) from the back end to avoid lifting the monitor over the retaining edge of the center tray.
5. Firmly push the roll out brackets (70) inward until they make contact with your monitor. See Figure 12.
6. Firmly press down on the top placement brackets (90) until they make contact with your monitor.
7. Tighten the flat head screws (EE) on both sides.
8. Check the mount to ensure that the mounting brackets are adjusted correctly. The brackets should fit tightly around your monitor. If not, repeat steps 2 through 7 until the monitor is secure.

STEP 6

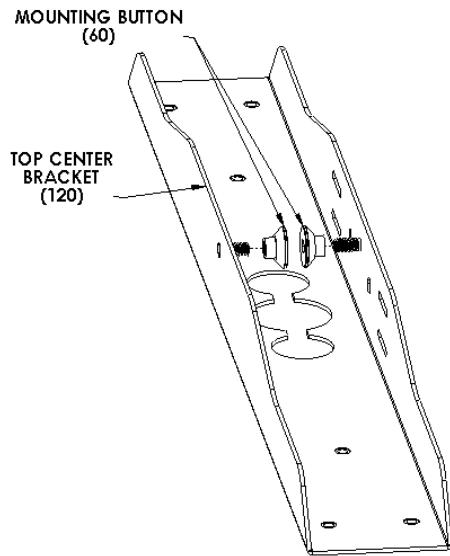


Figure 13. Assemble Top Center Bracket

Assembling the Top Center Bracket

Assemble the top center bracket, as follows:

1. Locate the top center bracket (120) and the other two mounting buttons (60). See Figure 13.
2. Install the two mounting buttons onto the threaded studs on the top center bracket (120). Tighten both mounting buttons.

Attaching Support Brackets to Center Bracket

Attach support brackets to center bracket, as follows:

1. Locate the LH and RH support brackets (130 and 140), the top center bracket (120), six M6 X 12mm Phillips head cap screws (HH), and six flat washers (DD). See Figure 14.

NOTE: Make sure that LH and RH support brackets are positioned with the button slot facing outward as shown in Figure 14. Also, make sure that the front of the top center bracket is facing outward.

2. Attach the LH support bracket (130) to the top center bracket (120) using three M6 X 12mm Phillips head cap screws (HH) and three flat washers (DD). Do not tighten screws (HH) at this point.
3. Repeat step 2 to attach the RH support bracket (140) to the top center bracket (120).

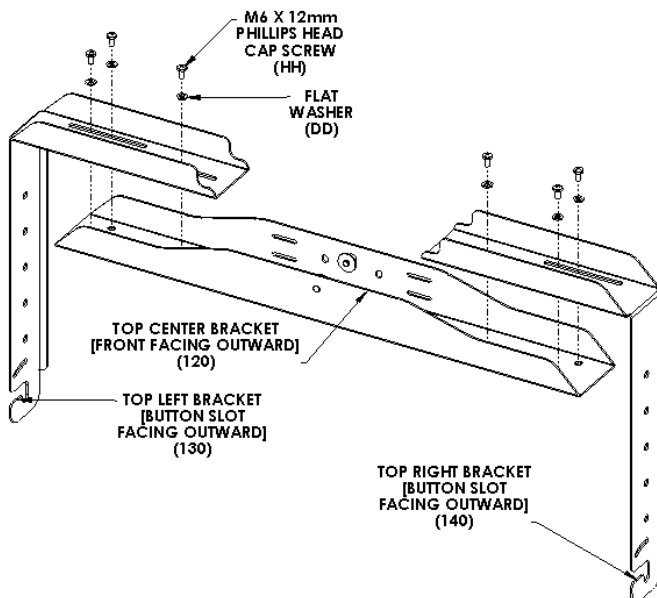


Figure 14. Attach Support Brackets to Center Bracket

STEP 7

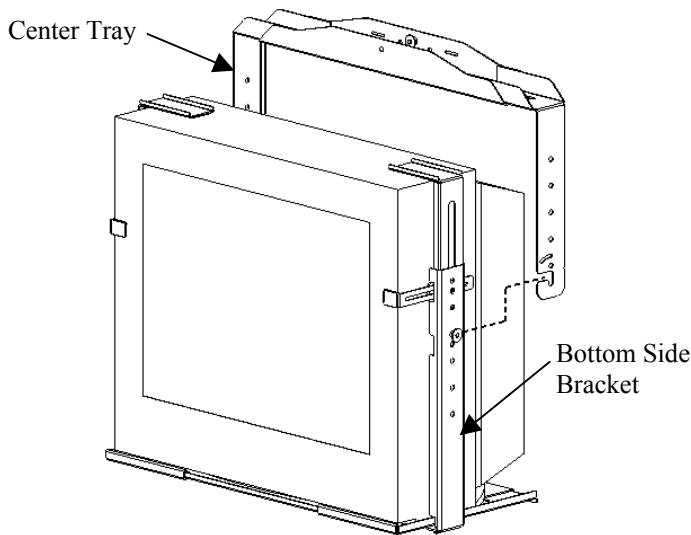


Figure 15. Attach Center Tray

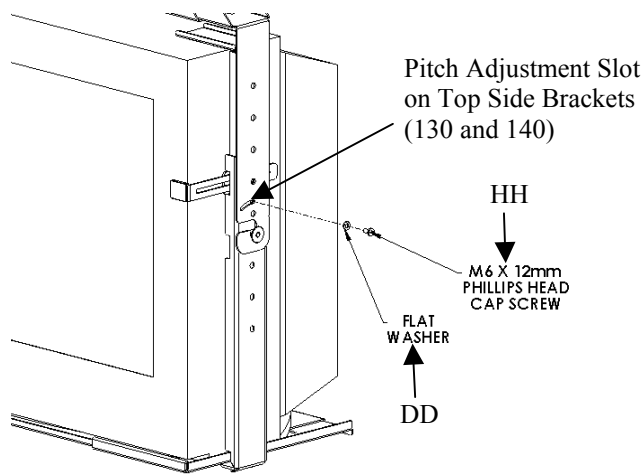


Figure 16. Fasten Center Tray

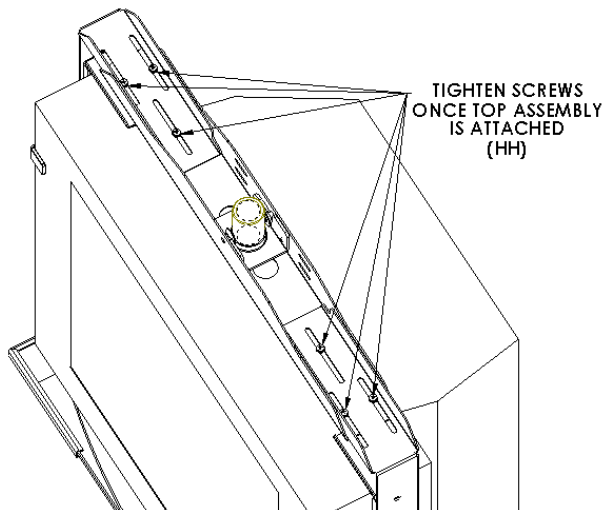


Figure 17. Tighten Screws on Center Tray

Attaching Center Tray

Attach center tray bottom side brackets, as follows:

1. Connect the mounting buttons on the bottom side brackets (40) to the buttonholes on the LH and RH brackets (130 and 140). See Figure 15.
2. Lift top assembly slightly to hook the buttonholes correctly on the center tray.
3. Firmly fasten the top assembly to the bottom assembly by inserting two M6 X 12mm cap screws (HH), and two flat washers (DD) into the pitch adjustment slots above the mounting buttons. See Figure 16.
4. Make sure both top side brackets (130 and 140) are parallel with the bottom side brackets (40), leaving the mount with 0-degrees of pitch. The pitch will be adjusted in a later step.
5. Tighten the six screws (HH) on the LH and RH brackets (130 and 140). See Figure 17.

STEP 9

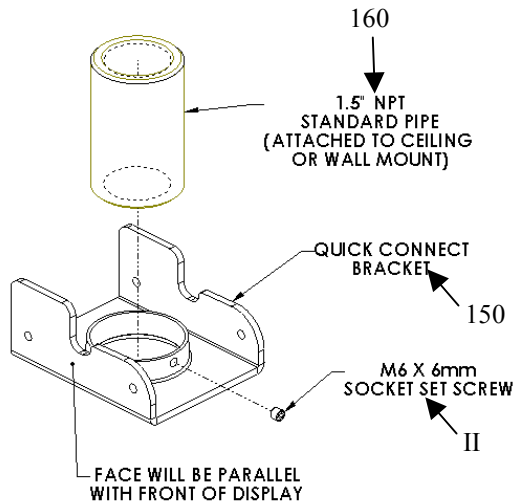


Figure 18. Assemble Quick-Connect Bracket

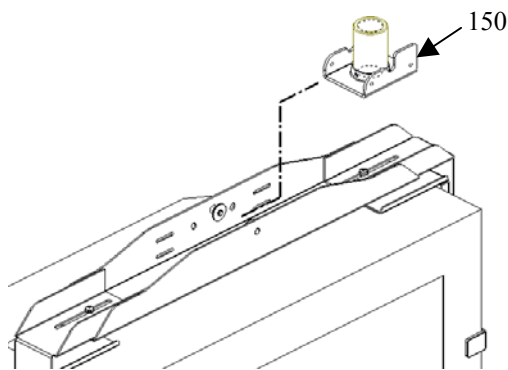


Figure 19. Install Quick-Connect

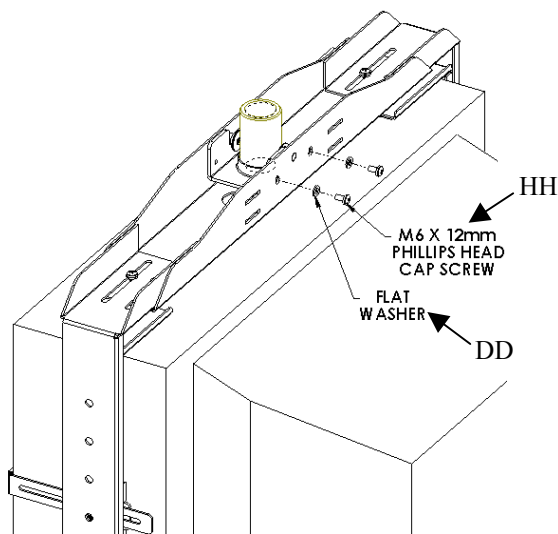


Figure 20. Adjust Roll Movement and Secure CTV Mount

Installing Quick-Connect Bracket

Assemble quick-connect bracket, as follows:

1. Locate the quick-connect bracket (150) and the 1.5" NPT standard pipe (160). See Figure 18.

WARNING

NPT and MPT (male external) pipes must be properly installed in accordance to local building codes and ordinances. Follow all building codes. If needed, contact a certified building inspector.

Be aware of the potential for personal injury or damage to the equipment if it is not adequately mounted.

2. Thread the 1.5" NPT standard pipe (160, or a longer pipe – not supplied) into the existing ceiling or wall mount. Tighten the set screw on existing mount to prevent pipe (160) from unthreading.
3. Thread quick-connect bracket (150) onto 1.5" NPT pipe previously installed (step 2). Make sure either face of the quick-connect bracket (150) faces the same direction you want your screen facing.
4. Install M6 X 6mm set screw (II) using the supplied M3 Allen wrench (JJ). See Figure 18.

Connect and Secure CTV Mount

Connect and secure the quick-connect bracket to center support assembly, as follows:

WARNING: Monitors are usually heavy and difficult to move. Exercise extreme caution when moving the monitor to avoid personal injury and/or equipment damage.

1. Carefully lift the monitor and CTV mount up to quick-connect bracket (150).
2. Move CTV mount so the quick-connect bracket (150) slides inside the top center bracket (120) as shown in Figure 19.
3. Making sure the mounting buttons (60) are directly above the slots of the quick-connect bracket (150), gently lower CTV mount until mounting buttons (60) are fully engaged with the quick-connect bracket (150) slots. See Figure 20.
4. Allow CTV mount to naturally level itself. Secure roll adjustment by firmly installing two M6 X 12mm Phillips head cap screws (HH) and flat washers (DD). See Figure 20.
5. Adjust pitch by loosening two M6 X 12mm cap screws (HH) on the side mount. (Refer to step 4 on page 12). Set desired pitch and re-tightened screws.
6. Route power cord and other audio/video cables up into top tray and through pipe, if applicable.

STEP 10 (OPTIONAL)

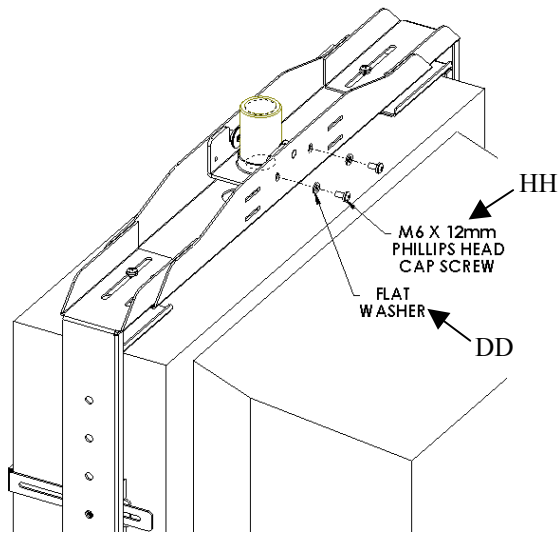


Figure 21. Remove Screws Holding Quick-Connect Bracket

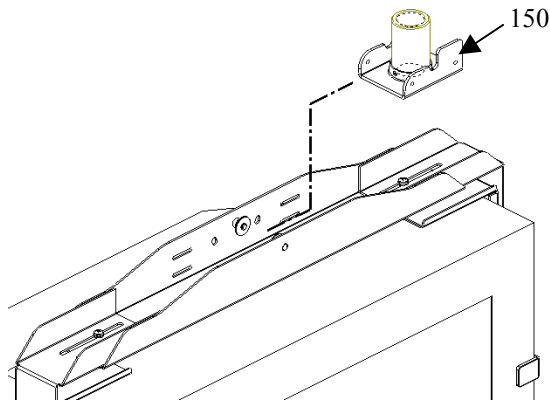


Figure 22. Disconnect Quick-Connect Bracket from CTV Mount

Disconnect and Remove CTV Mount

Disconnect the quick-connect bracket and remove the CTV mount (for servicing the monitor), as follows:

WARNING: Monitors are usually heavy and difficult to move. Exercise extreme caution when moving the monitor to avoid personal injury and/or equipment damage.

1. Remove two M6 X 12mm cap screws (HH) and flat washers (DD). See Figure 21.
2. With an assistant, carefully lift the monitor and CTV mount up slightly for the purpose of disengaging the quick-connect bracket (150).
3. Carefully move the CTV mount until the mounting buttons (60) fully disengaged with the slots of the quick-connect bracket (150). See Figure 22.
4. Carefully lower and remove the CTV mount.