

# INSTALLATION INSTRUCTIONS

## CVI42 Mounting Bracket

Prior to assembly, unpack carton completely and verify contents. If you are missing any of the following components, please contact Technical Support at 1-800-776-5768.

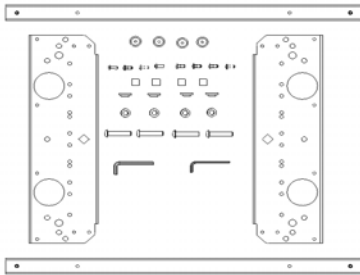


Figure 1 (See Table 1)

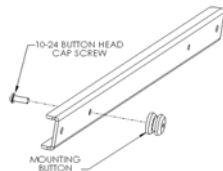


Figure 2

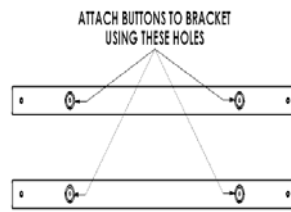


Figure 3

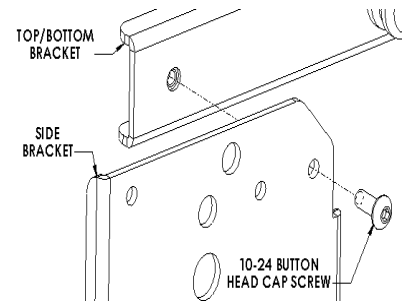


Figure 4

Table 1. PSB-2051

(2) Plasma Side Bracket	(2) Plasma Top/Bottom Bracket
(4) Mounting Button - Tapped	(8) 10-24 x .5 Button Head Cap Screw
(4) M8 X 50mm Button Head Cap Screw	(4) .74 x .39 x 1.0 Nylon Spacer
(4) .805 OD x .324 ID Nylon Shoulder Washer	(4) M8 Flat Steel Washer
(1) 1/8" Allen Key	(1) M5 Allen Key

**CAUTION: PLASMA DISPLAYS ARE EXTREMELY FRAGILE!**

**READ INSTALLATION INSTRUCTIONS COMPLETELY  
BEFORE PROCEEDING**

### Instructions

1. Prior to assembly, unpack carton completely and verify contents. Refer to Figure 1 and Table 1.
2. Using a 10-24 button head cap screw inserted from back side of bracket, secure mounting button, with chamfered hole of mounting button (larger surface) facing bracket, to top and bottom brackets (four places) (see Figure 2 and Figure 3).

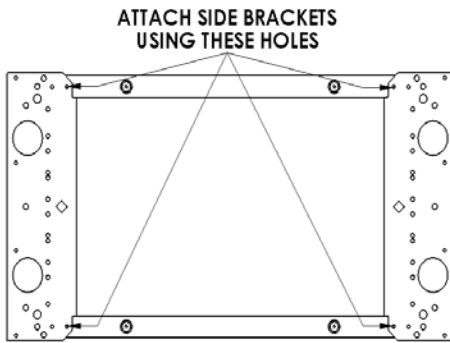


Figure 5

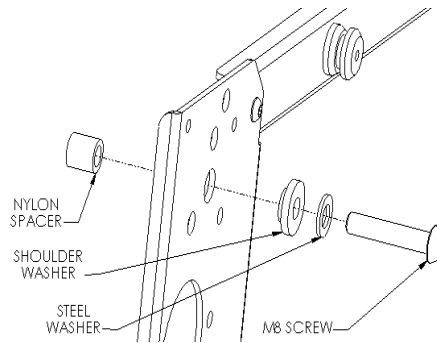


Figure 6

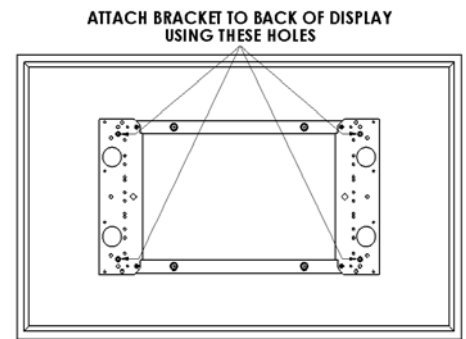


Figure 7

## Instructions (cont'd)

3. Place Nylon spacers on mounting holes on back of screen (see Figure 4 and Figure 5). Attach brackets to display using the M8 screws, shoulder and steel washers (see Figure 6 and Figure 7).
4. With the aid of another person, lift the display up to the mount, aligning buttons of mounting brackets with slots in the mount.
5. Lower safety catch on the mount to secure the display, making sure latch is completely engaged.