

INSTALLATION INSTRUCTIONS

VCR BRACKET ADAPTER CVR-1000

The CVR-1000 is designed for ease VCR installation to Chief Mfg. products.

WARNING: IMPROPER INSTALLATION MAY RESULT IN SERIOUS PERSONAL INJURY!

When mounting Chief Manufacturing accessories, the structural system and mounting method **MUST** be capable of supporting 5 times the combined weight of the total installation.

Unpack and check contents:

- | | |
|-------------------------------------|-------------------------------------|
| (1) Outer Channel | (2) #10-32 X 1/2" Theft Proof Screw |
| (2) R/L Inner Channel | (4) #8-32 Hex Flange Nuts |
| (2) R/L Adapter End Plate | (2) 1/4-20 Flange Nut |
| (2) Clamp Bracket | (2) Steel Washers |
| (1) Security Plate | (2) 1/4-20 X 1/2" Carriage Bolts |
| (4) #8-32 X 3/8" Combination Screw | (2) Velcro Hook |
| (4) 1/4-20 X 5/8" Combination Screw | (2) Velcro Loop |
| (2) #10-32 X 5/8" Combination Screw | (1) Security Cable Key |

1. Using four #8-32 X 3/8" combination screws and #8-32 hex flange nuts, secure the inner channels together (see Figure 1).
2. Slide one end plate assembly into the outer channel, aligning the slot with one of the holes, and **loosely** attach using two 1/4-20 X 5/8" combination screws and 1/4-20 hex flange nuts (see Figure 2).

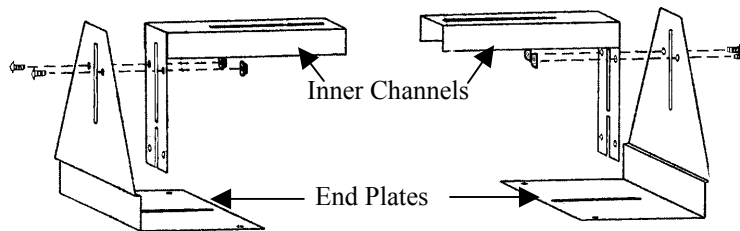


Figure 1. Secure Inner Channels

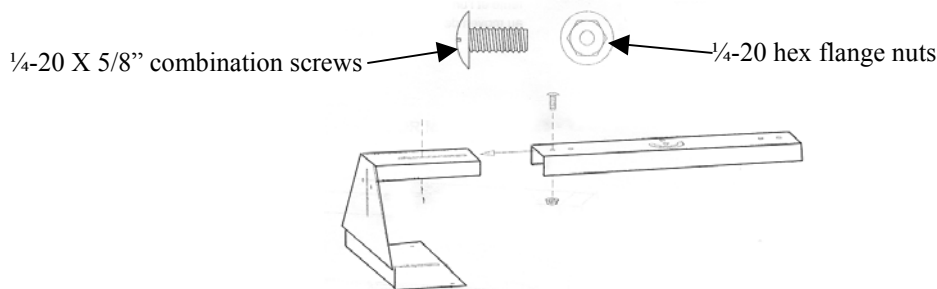


Figure 2. End Plate to Outer



CHIEF MANUFACTURING INC.
1-800-582-6480 952-894-6280 FAX 952-894-6918
12800 HIGHWAY 13 SOUTH, SUITE 500
SAVAGE, MINNESOTA 55378 USA

8803-00032
2002 Chief Manufacturing
www.chiefmfg.com
03/02

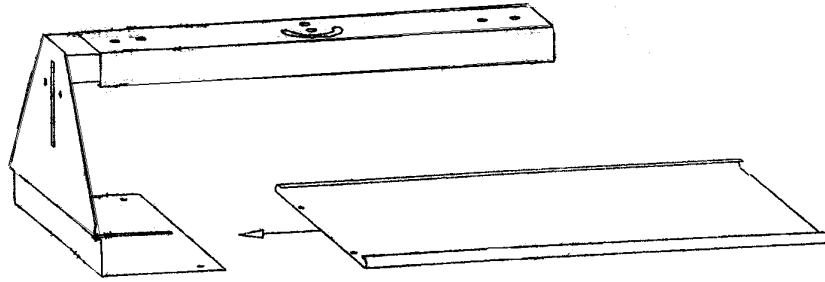


Figure 3. Security Bracket

3. Slide the security bracket onto the end plate as shown in Figure 3.
4. Slide the other end plate assembly into the outer channel and the security bracket, aligning the slot with one of the holes, and **loosely** attach using two ¼-20 X 5/8” combination screws and ¼-20 hex flange nuts as shown in Figure 4.
5. Attach one piece of Velcro to the bottom of each clamp bracket as shown in Figure 5

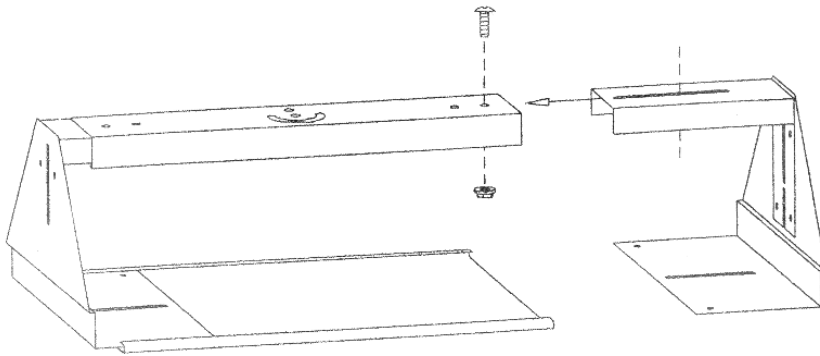


Figure 4. End Plate To Outer Channel

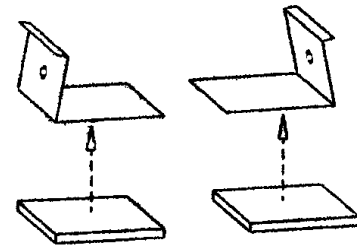


Figure 5. Attach Velcro

6. Attach, **loosely**, clamps to each end plate using either the #10-32 X 5/8” combination screw or the #10-32 X 1/2” theft proof screw (see Figure 6). NOTE: Use the security key provided if installing the theft proof screw.

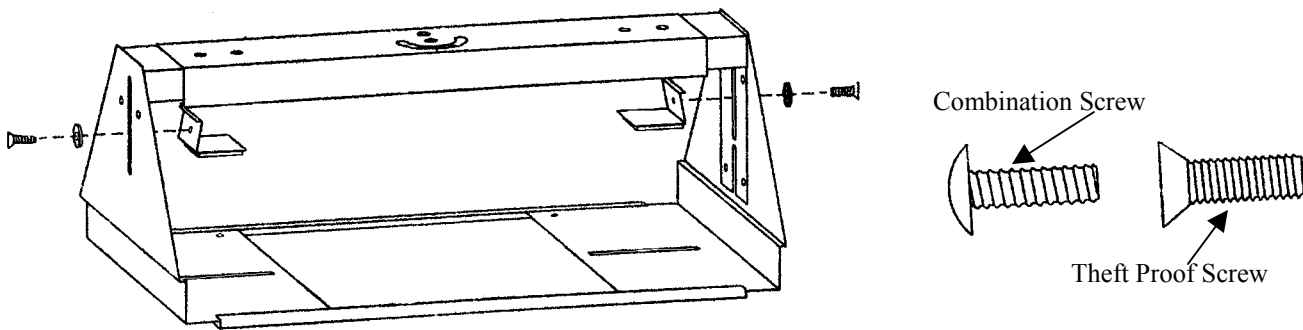


Figure 6. Attach End Clamps

7. Attach, the remaining pieces of Velcro to your VCR, making sure the Velcro on the clamps and the VCR line up.
8. Install VCR bracket at desired location or, for stacking VCRs; perform the following:
 - a. Adjust top VCR Bracket Adapter to desired width by sliding out the left and right interior channels and locking them in position using two $\frac{1}{4}$ -20 X $\frac{5}{8}$ " combination screws and $\frac{1}{4}$ -20 flange nuts, one of each on each side (smaller VCRs use inside holes and wider VCRs use outside holes) (see Figure 7). Maximum extension for top VCR bracket is 19" wide.
 - b. Adjust width of second VCR Bracket Adapter.
 - c. Attach second VCR Bracket Adapter under first VCR Bracket Adapter by inserting a $\frac{1}{4}$ -20 X $\frac{5}{8}$ " combination screws through the slot on each arm of the first unit, into the holes in the top of the second unit and secure from the bottom using a $\frac{1}{4}$ -20 flange nut on each screw (smaller VCRs use inside holes and wider VCRs use outside holes). NOTE: Security plate attaches to bottom unit only.

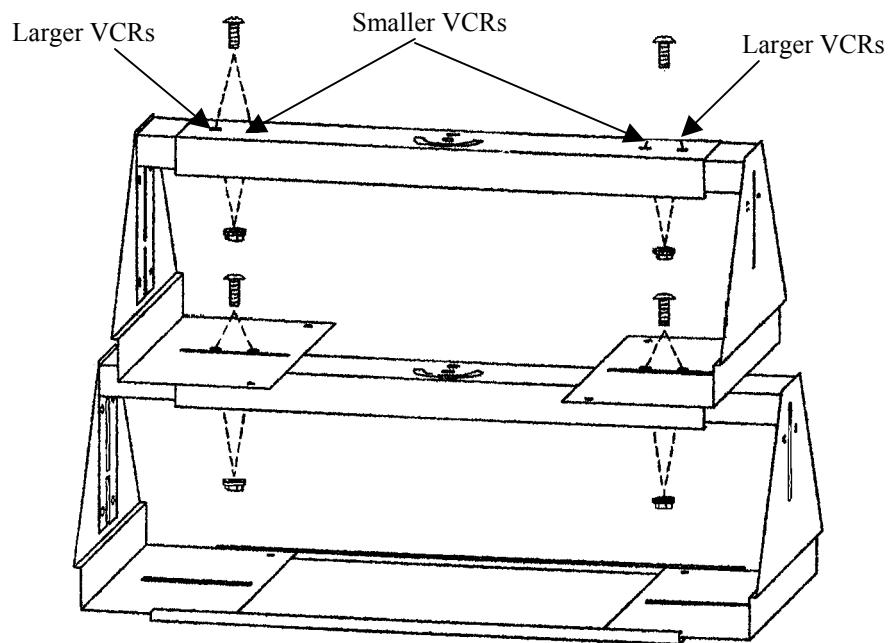


Figure 7. Stacking VCR Brackets