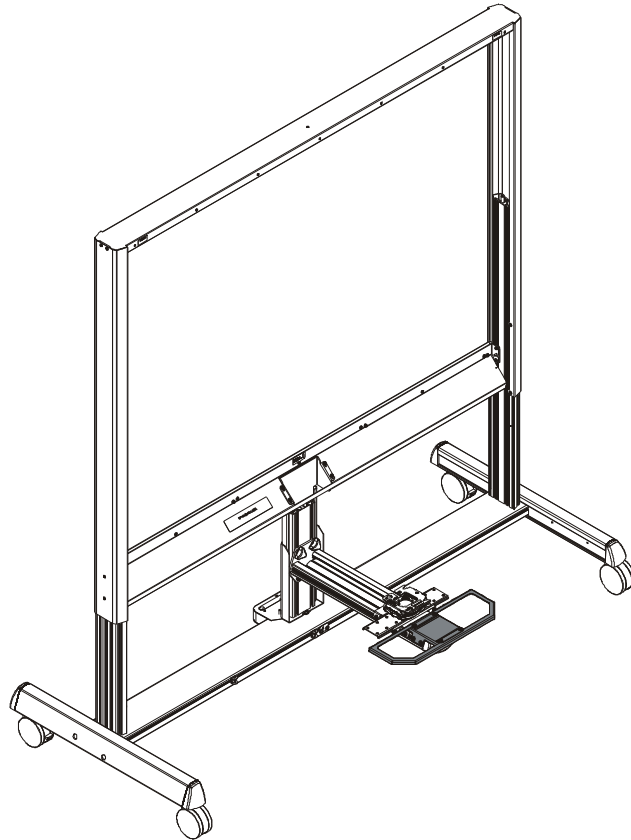


---

# INSTALLATION INSTRUCTIONS

---



---

## IDEA™ Interactive Rear Projector Protection Guard

---

---

**DA-LITE**

**23198**

---

## DISCLAIMER

Milestone AV Technologies and its affiliated corporations and subsidiaries (collectively "Milestone"), intend to make this manual accurate and complete. However, Milestone makes no claim that the information contained herein covers all details, conditions or variations, nor does it provide for every possible contingency in connection with the installation or use of this product. The information contained in this document is subject to change without notice or obligation of any kind. Milestone makes no representation of warranty, expressed or implied, regarding the information contained herein. Milestone assumes no responsibility for accuracy, completeness or sufficiency of the information contained in this document.

Da-Lite® is a registered trademark of Milestone AV Technologies. All rights reserved.



### IMPORTANT SAFETY INSTRUCTIONS



**WARNING:** A WARNING alerts you to the possibility of serious injury or death if you do not follow the instructions.



**CAUTION:** A CAUTION alerts you to the possibility of damage or destruction of equipment if you do not follow the corresponding instructions.



**WARNING:** Failure to read, thoroughly understand, and follow all instructions can result in serious personal injury, damage to equipment, or voiding of factory warranty! It is the installer's responsibility to make sure all components are properly assembled and installed using the instructions provided.



**WARNING:** Failure to provide adequate structural strength for this component can result in serious personal injury or damage to equipment! It is the installer's responsibility to make sure the structure to which this component is attached can support five times the combined weight of all equipment. Reinforce the structure as required before installing the component.



**WARNING:** Use this mounting system only for its intended use as described in these instructions. Do not use attachments not recommended by the manufacturer.



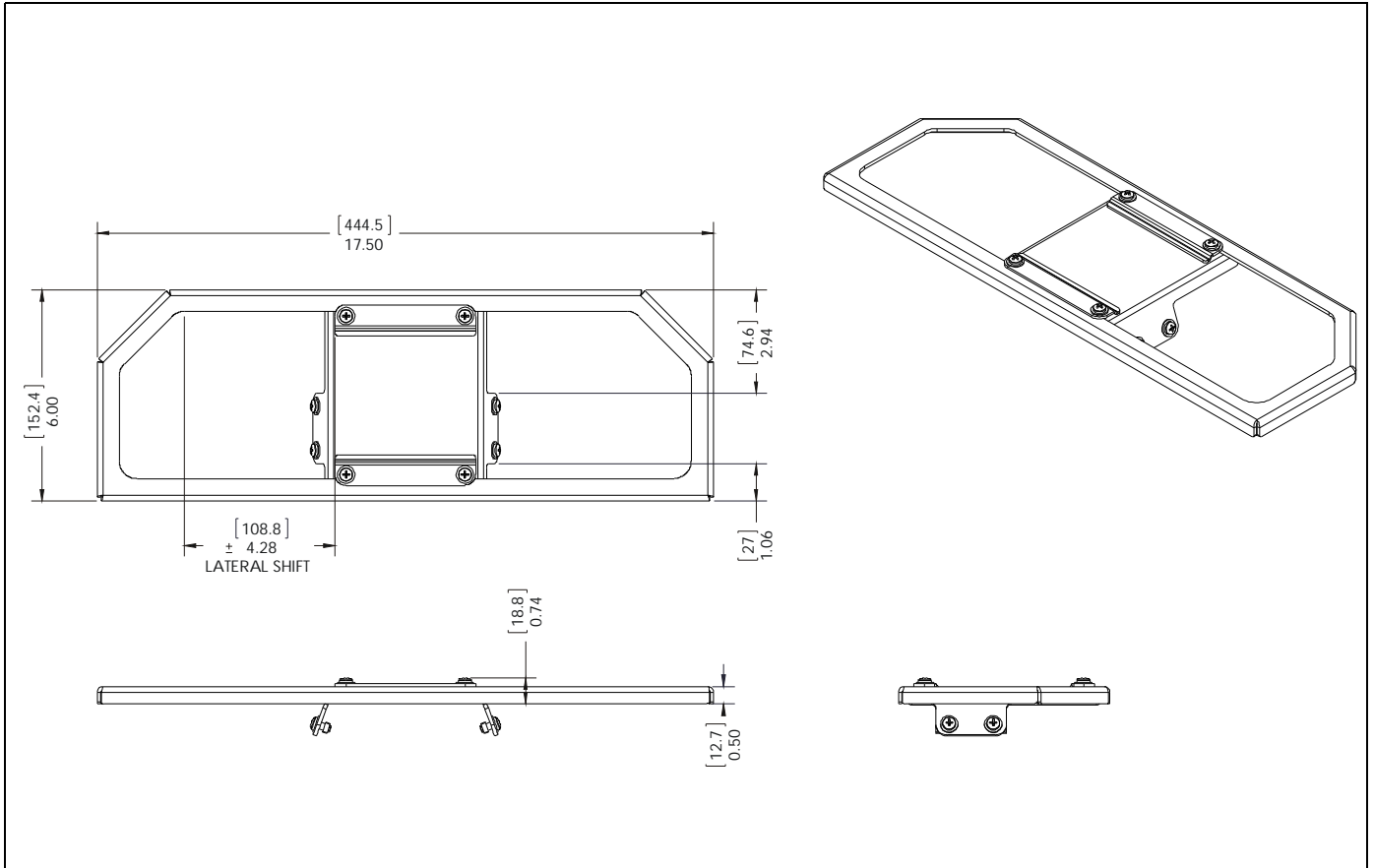
**WARNING:** Never operate this mounting system if it is damaged. Return the mounting system to a service center for examination and repair.



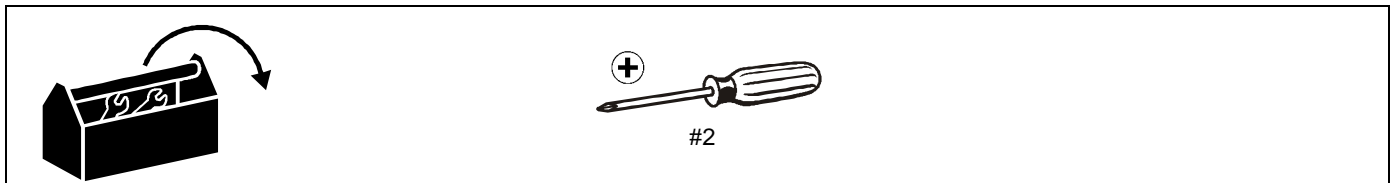
**WARNING:** Do not use this product outdoors.

**--SAVE THESE INSTRUCTIONS--**

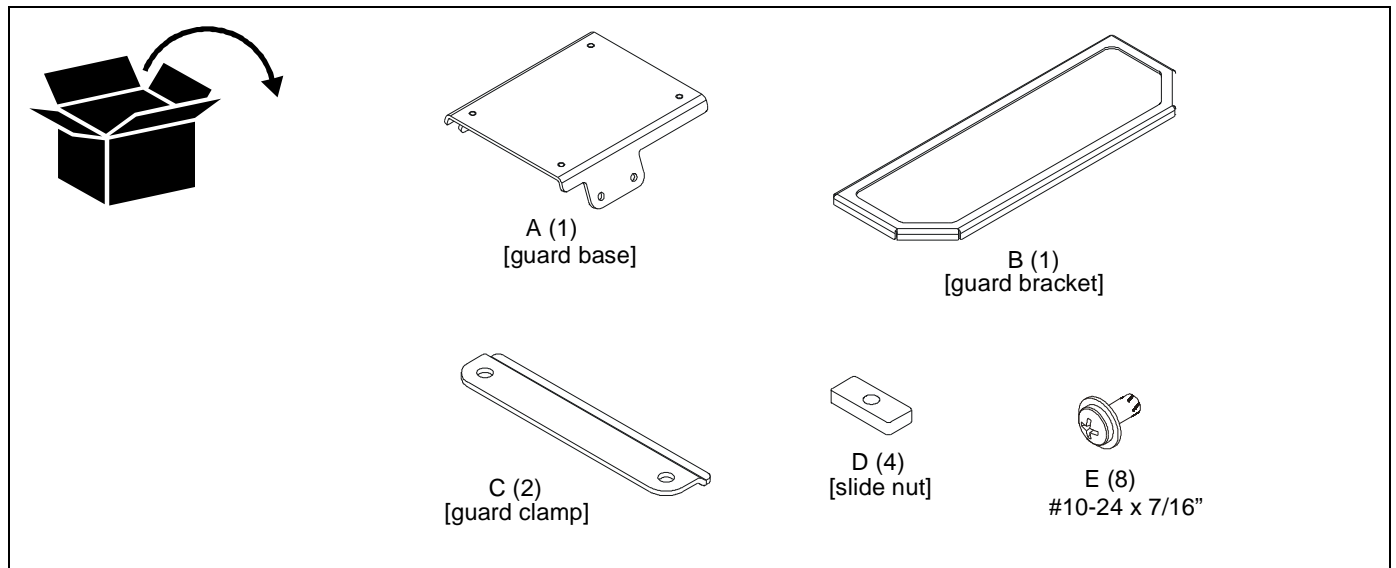
**DIMENSIONS**





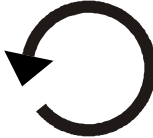


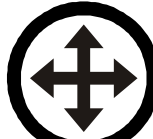






**TOOLS REQUIRED FOR INSTALLATION**



**PARTS**



## LEGEND

	<b>Tighten Fastener</b> Apretar elemento de fijación Befestigungsteil festziehen Apertar fixador Serrare il fissaggio Bevestiging vastdraaien Serrez les fixations		<b>Pencil Mark</b> Marcar con lápiz Stiftmarkierung Marcar com lápis Segno a matita Potloodmerkteken Marquage au crayon
	<b>Loosen Fastener</b> Aflojar elemento de fijación Befestigungsteil lösen Desapertar fixador Allentare il fissaggio Bevestiging losdraaien Desserrez les fixations		<b>Drill Hole</b> Perforar Bohrloch Fazer furo Praticare un foro Gat boren Percez un trou
	<b>Phillips Screwdriver</b> Destornillador Phillips Kreuzschlitzschraubendreher Chave de fendas Phillips Cacciavite a stella Kruiskopschroevendraaier Tournevis à pointe cruciforme		<b>Adjust</b> Ajustar Einstellen Ajustar Regolare Afstellen Ajuster
	<b>Open-Ended Wrench</b> Llave de boca Gabelschlüssel Chave de bocas Chiave a punte aperte Steeksleutel Clé à fourche		<b>Remove</b> Quitar Entfernen Remover Rimuovere Verwijderen Retirez
	<b>By Hand</b> A mano Von Hand Com a mão A mano Met de hand À la main		<b>Optional</b> Opcional Optional Opcional Opzionale Optie En option
	<b>Hex-Head Wrench</b> Llave de cabeza hexagonal Sechskantschlüssel Chave de cabeça sextavada Chiave esagonale Zeskantsleutel Clé à tête hexagonale		<b>Security Wrench</b> Llave de seguridad Sicherheitsschlüssel Chave de segurança Chiave di sicurezza Veiligheidssleutel Clé de sécurité

### Assembly And Installation

**NOTE:** The following installation instructions assume that Da-Lite's rear projector cart (part number 22516 or 22951) has already been completely assembled. Do NOT attempt to install this monitor arm to any other cart or stand.

1. Use four #10-24 x 7/16" Phillips screws with captured washers (E) and two guard clamps (C) to secure guard bracket (B) to guard base (A). (See Figure 1)

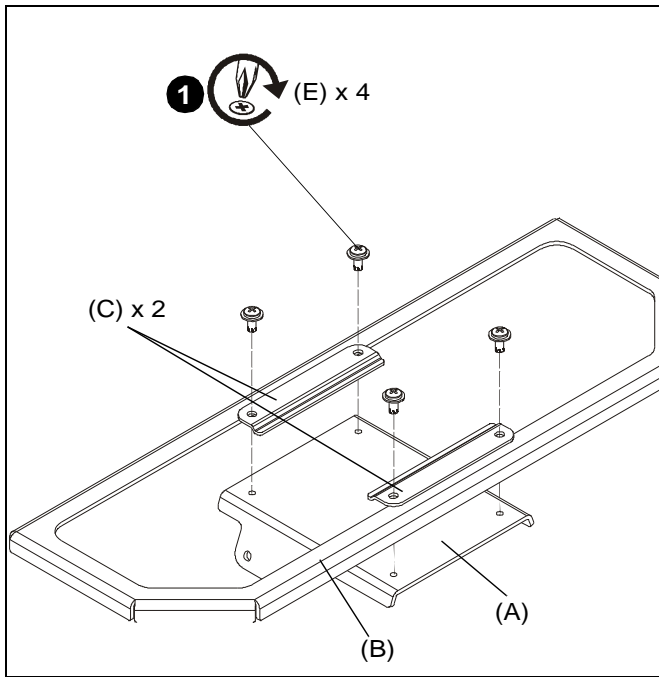


Figure 1

2. Loosely install remaining four #10-24 x 7/16" Phillips screws with captured washers (E) through guard base (B) holes and into four slide nuts (D). (See Figure 2)

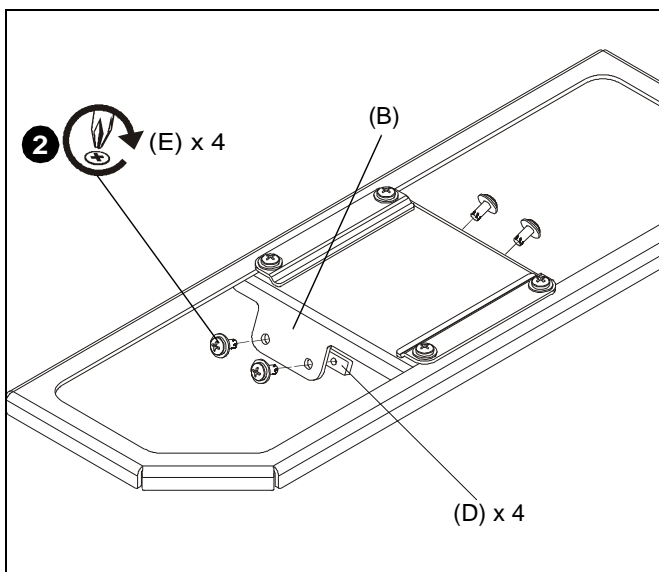


Figure 2

3. Remove end cover from rear projector arm. (See Figure 3)

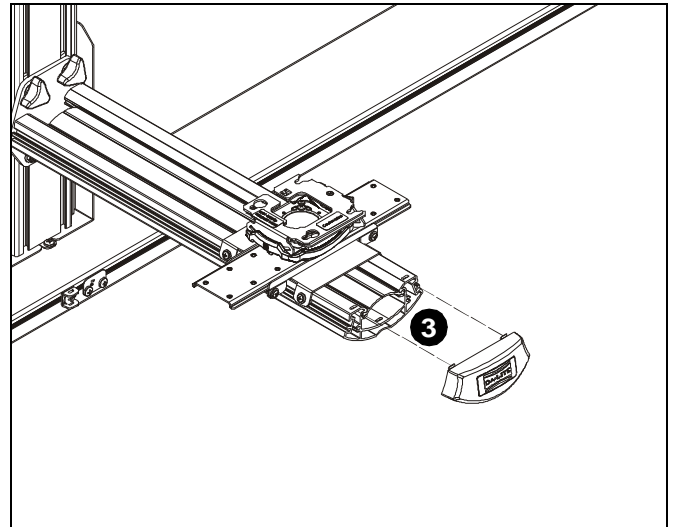


Figure 3

4. Slide assembled protection guard onto projector arm by inserting slide nuts (D) into corresponding grooves on arm. (See Figure 4)
5. Tighten screws when protection guard is in desired position. (See Figure 4)
6. Reinstall end cover to projector arm. (See Figure 4)

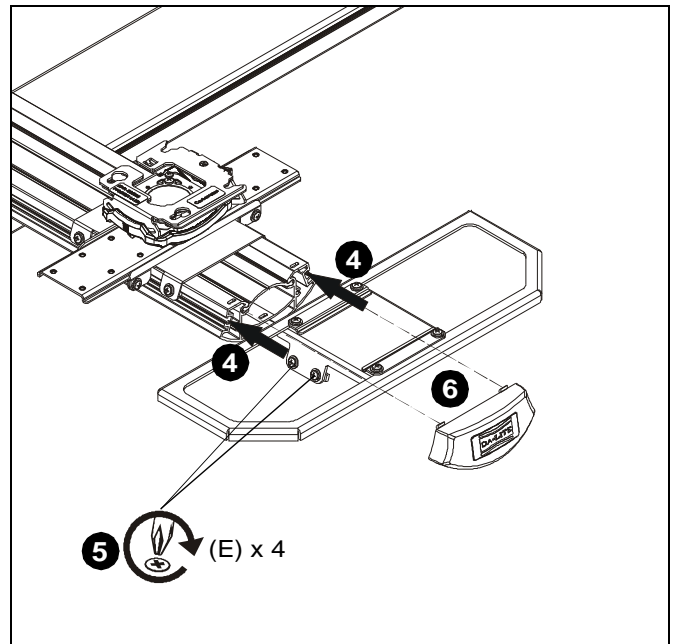


Figure 4

## Adjustments

### Lateral Shift

1. Loosen four screws holding guard bracket (B) to guard base (A). (See Figure 5)
2. Adjust guard bracket lateral position as desired. (See Figure 5)
3. Tighten four screws holding guard bracket (B) to guard base when desired position is achieved. (See Figure 5)

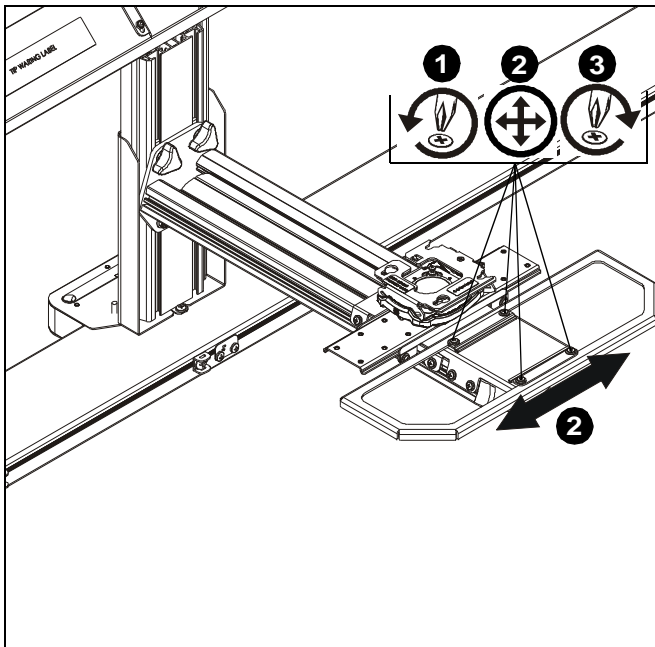


Figure 5





8800-002355 Rev01  
06/13

**Da-Lite Screen Company, LLC**

3100 North Detroit Street  
P.O. Box 137  
Warsaw, IN 46581-0137  
Phone: 800.267.8101  
Toll Free: 574.267.3737  
Fax: 574.267.7804  
Toll Free Fax: 877.325.4832  
[www.da-lite.com](http://www.da-lite.com)  
[info@da-lite.com](mailto:info@da-lite.com)

