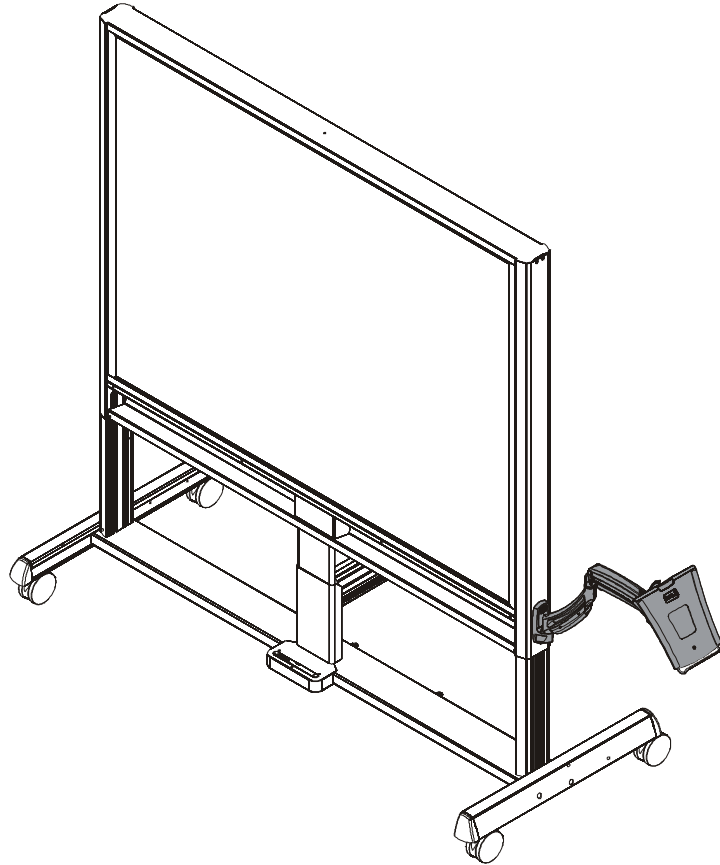

INSTALLATION INSTRUCTIONS



IDEA™ Interactive Rear Projector Cart Laptop Tray

DA-LITE

22518

DISCLAIMER

Milestone AV Technologies and its affiliated corporations and subsidiaries (collectively “Milestone”), intend to make this manual accurate and complete. However, Milestone makes no claim that the information contained herein covers all details, conditions or variations, nor does it provide for every possible contingency in connection with the installation or use of this product. The information contained in this document is subject to change without notice or obligation of any kind. Milestone makes no representation of warranty, expressed or implied, regarding the information contained herein. Milestone assumes no responsibility for accuracy, completeness or sufficiency of the information contained in this document.

Da-Lite® is a registered trademark of Milestone AV Technologies. All rights reserved.

! IMPORTANT SAFETY INSTRUCTIONS

! WARNING: A WARNING alerts you to the possibility of serious injury or death if you do not follow the instructions.

! CAUTION: A CAUTION alerts you to the possibility of damage or destruction of equipment if you do not follow the corresponding instructions.

! WARNING: Failure to read, thoroughly understand, and follow all instructions can result in serious personal injury, damage to equipment, or voiding of factory warranty! It is the installer’s responsibility to make sure all components are properly assembled and installed using the instructions provided.

! WARNING: Failure to provide adequate structural strength for this component can result in serious personal injury or damage to equipment! It is the installer’s responsibility to make sure the structure to which this component is attached can support five times the combined weight of all equipment. Reinforce the structure as required before installing the component.

! WARNING: Exceeding the weight capacity can result in serious personal injury or damage to equipment! It is the installer’s responsibility to make sure the combined weight of all components located on the laptop arm do not exceed 15 lbs (6.8 kg) per arm.

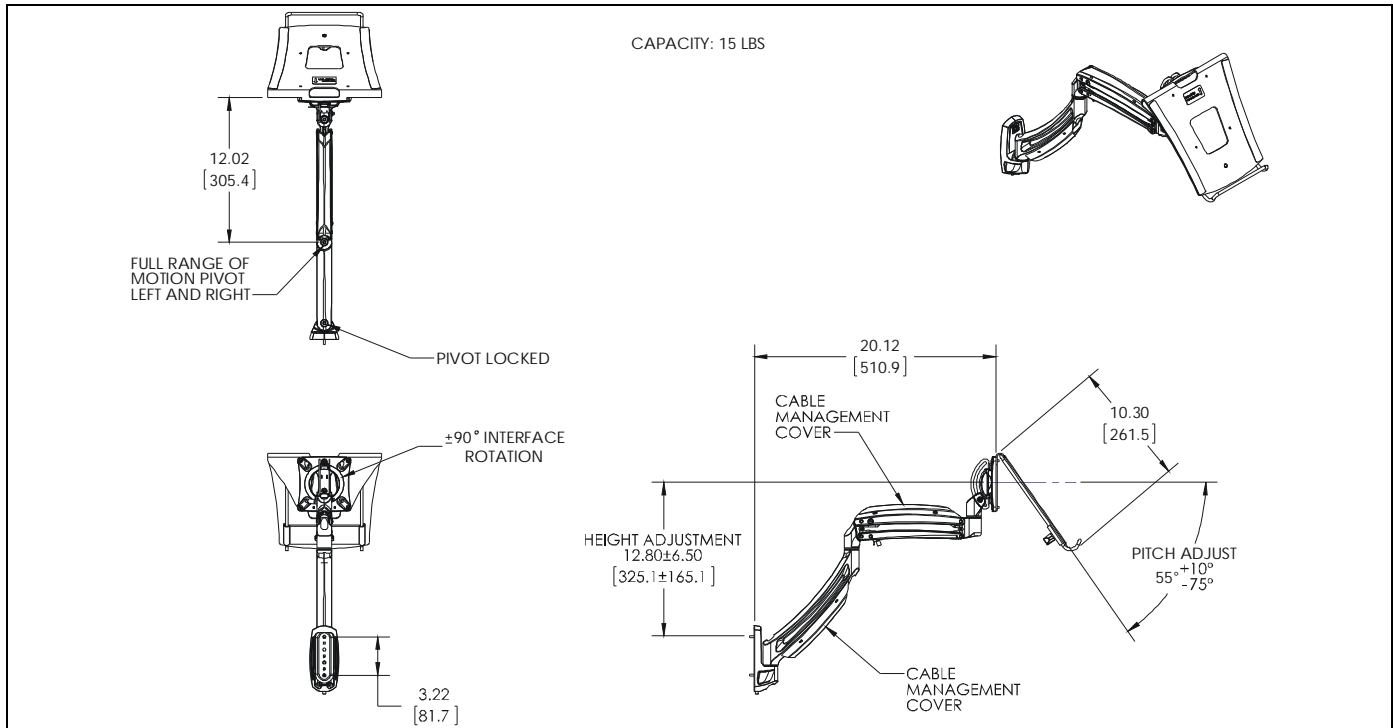
! WARNING: Use this mounting system only for its intended use as described in these instructions. Do not use attachments not recommended by the manufacturer.

! WARNING: Never operate this mounting system if it is damaged. Return the mounting system to a service center for examination and repair.

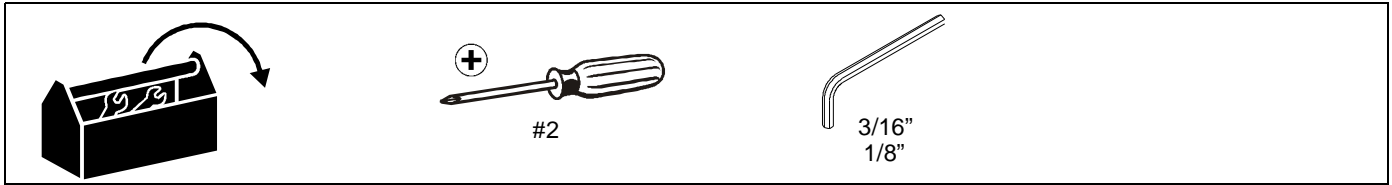
! WARNING: Do not use this product outdoors.

--SAVE THESE INSTRUCTIONS--

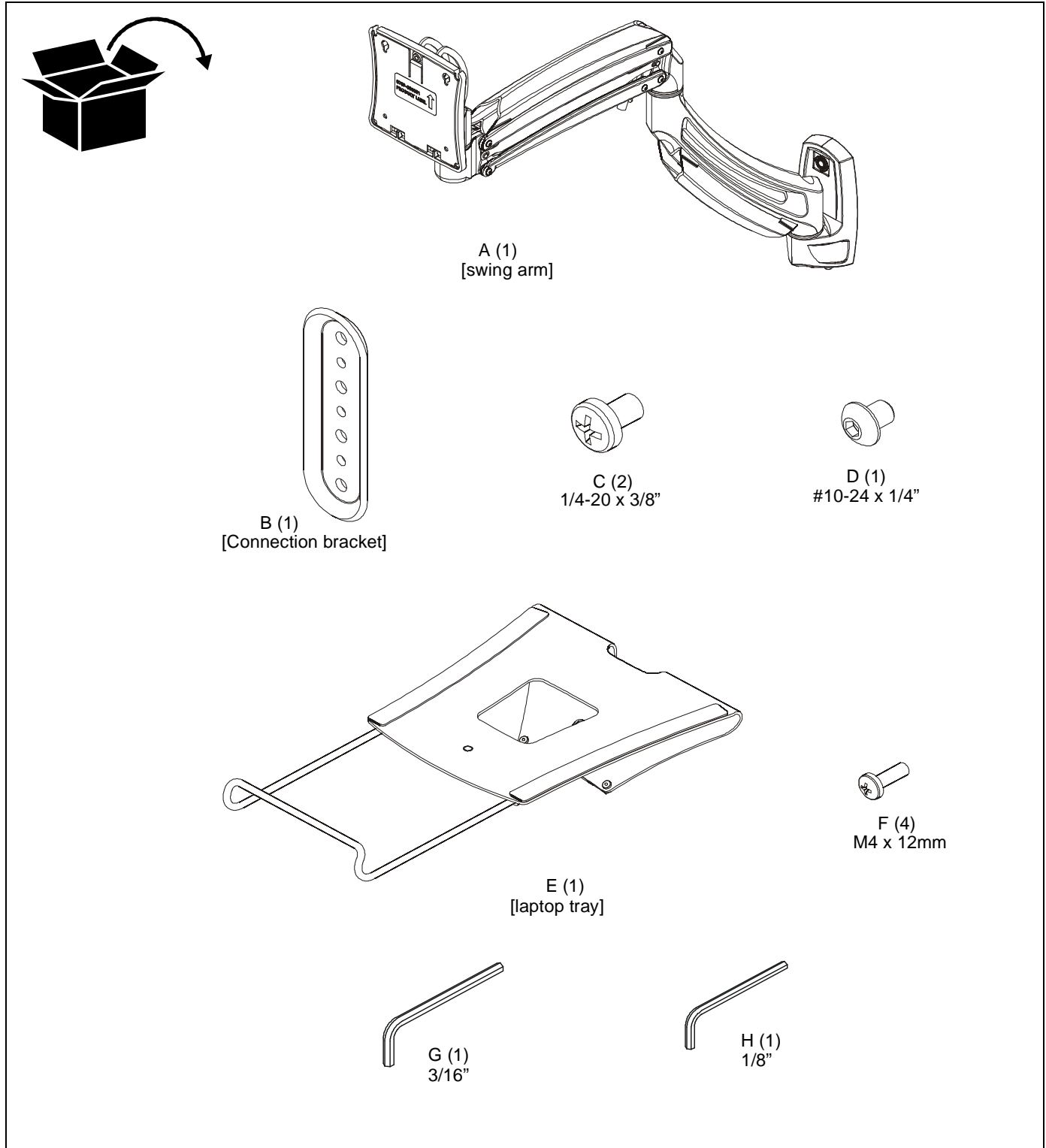
DIMENSIONS





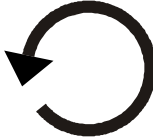


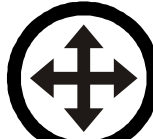






TOOLS REQUIRED FOR INSTALLATION



PARTS



LEGEND

	Tighten Fastener Apretar elemento de fijación Befestigungsteil festziehen Apertar fixador Serrare il fissaggio Bevestiging vastdraaien Serrez les fixations		Pencil Mark Marcar con lápiz Stiftmarkierung Marcar com lápis Segno a matita Potloodmerkteken Marquage au crayon
	Loosen Fastener Aflojar elemento de fijación Befestigungsteil lösen Desapertar fixador Allentare il fissaggio Bevestiging losdraaien Desserrez les fixations		Drill Hole Perforar Bohrloch Fazer furo Praticare un foro Gat boren Percez un trou
	Phillips Screwdriver Destornillador Phillips Kreuzschlitzschraubendreher Chave de fendas Phillips Cacciavite a stella Kruiskopschroevendraaier Tournevis à pointe cruciforme		Adjust Ajustar Einstellen Ajustar Regolare Afstellen Ajuster
	Open-Ended Wrench Llave de boca Gabelschlüssel Chave de bocas Chiave a punte aperte Steeksleutel Clé à fourche		Remove Quitar Entfernen Remover Rimuovere Verwijderen Retirez
	By Hand A mano Von Hand Com a mão A mano Met de hand À la main		Optional Opcional Optional Opcional Opzionale Optie En option
	Hex-Head Wrench Llave de cabeza hexagonal Sechskantschlüssel Chave de cabeça sextavada Chiave esagonale Zeskantsleutel Clé à tête hexagonale		Security Wrench Llave de seguridad Sicherheitsschlüssel Chave de segurança Chiave di sicurezza Veiligheidsleutel Clé de sécurité

Assembly And Installation

NOTE: The following installation instructions assume that Da-Lite's rear projector cart (part number 22516 or 22951) has already been completely assembled. Do NOT attempt to install this monitor arm to any other cart or stand.

1. Use two 1/4-20 x 3/8" Phillips head machine screws (C) to secure attachment bracket (B) to rear projection cart. Use two holes on outside of either column extender of cart. (See Figure 1)

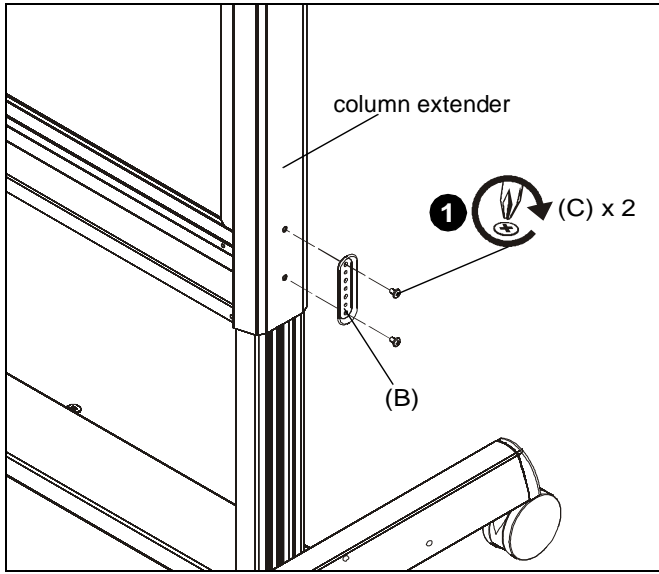


Figure 1

2. Hang swing arm (A) onto attachment bracket (B). (See Figure 2)
3. Secure swing arm (A) to attachment bracket (B) by tightening set screw. Ensure set screw engages back side of attachment bracket (B) to properly secure mount. (See Figure 2)

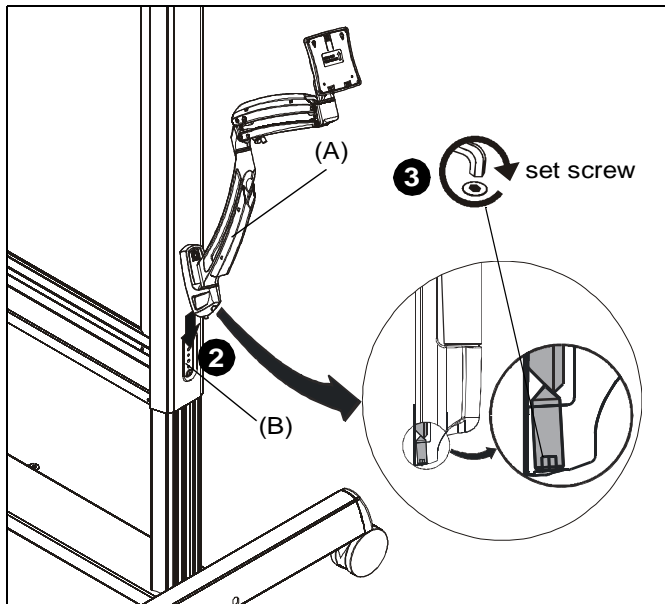


Figure 2

4. Remove existing quick release faceplate from monitor arm by pulling quick release lever and lifting faceplate from arm. (See Figure 3)

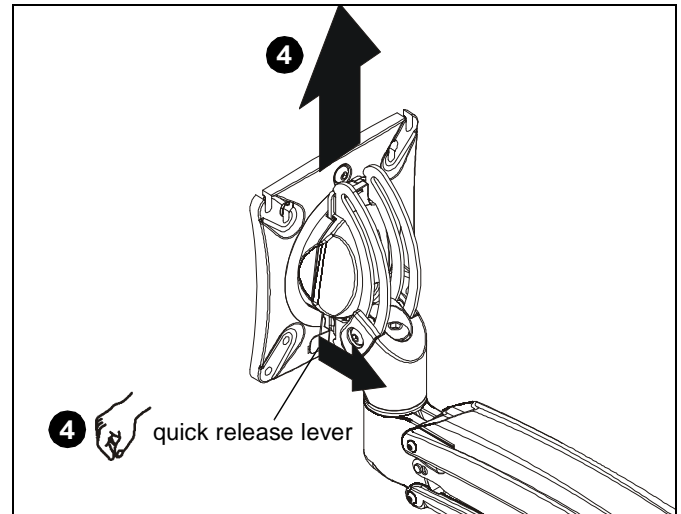


Figure 3

5. Use four M4x12mm Phillips pan machine screws (F) to attach laptop tray (E) to removed faceplate. (See Figure 4)

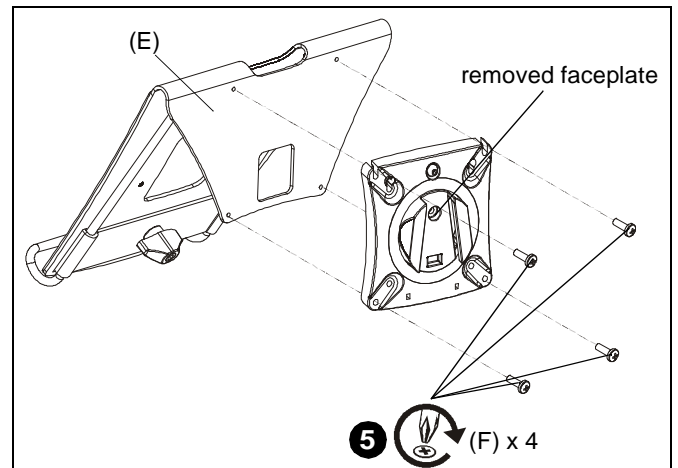


Figure 4

6. Slide laptop tray (F) onto mounting head until quick release tab clicks into place. (See Figure 5)
7. Adjust mounting arm and tray to desired mounting level. See monitor arm installation instructions for adjustment details.

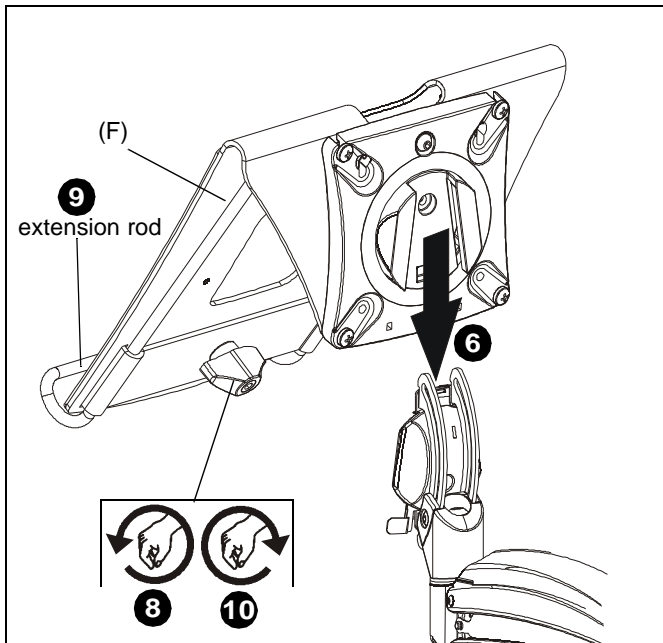


Figure 5

8. Turn extension rod tension adjustment knob counter-clockwise to decrease tension. (See Figure 5)
9. Extend laptop extension rod as desired. (See Figure 5)
10. Turn extension rod tension adjustment knob clockwise to tighten extension rod in place. (See Figure 5)



WARNING: Exceeding the weight capacity can result in serious personal injury or damage to equipment! It is the installer's responsibility to make sure the combined weight of all components installed to the laptop tray up to (and including) the laptop does not exceed 15 lbs (6.8 kg). Use with products heavier than the maximum weight indicated may result in collapse of the mount and its accessories causing possible injury.

11. Center laptop on tray and adjust pitch tension as needed to hold tray in desired position.

Adjustments

Pitch Adjustment (non-array models)

1. Adjust pitch to desired tilt position. (See Figure 6)
2. Adjust pitch tension screw to change the adjustment tension. (See Figure 6)

Pivot Adjustment (non-array models)

3. Adjust pivot position as desired. (See Figure 6)
4. Use 3/16" hex key (G) to adjust pivot point tension screws to change pivot adjustment tension. (See Figure 6)

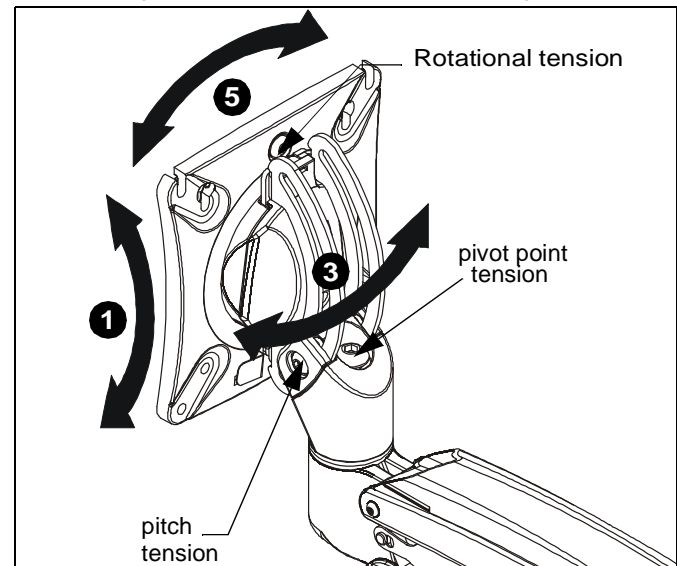


Figure 6

Rotational Adjustment

NOTE: (Optional) Rotational adjustment may be locked by installing rotational locking screw (D) into back of faceplate. (See Figure 7)

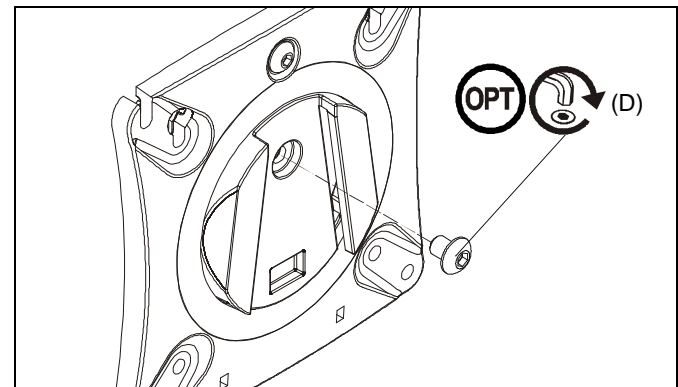


Figure 7

5. The monitor may be adjusted 90 degrees in either direction in order to provide a portrait view of the monitor. (See Figure 6)
6. Use 3/16" hex key (G) to adjust rotational adjustment screw to adjust rotational tension.

Lift Arm Tension Adjustment

1. Use 3/16" hex key (G) to adjust lift arm tension adjustment screw. (See Figure 8)

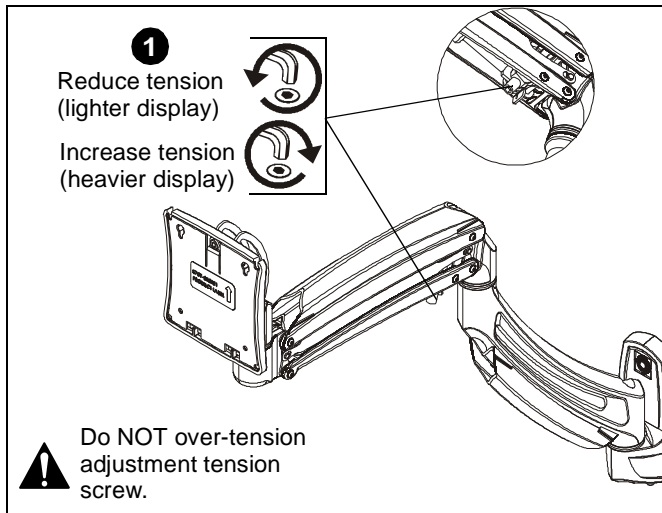


Figure 8

NOTE: Tension may also be adjusted with upper tension adjustment screw inside cable management cover and 1/8" hex key (H). (See Figure 9)

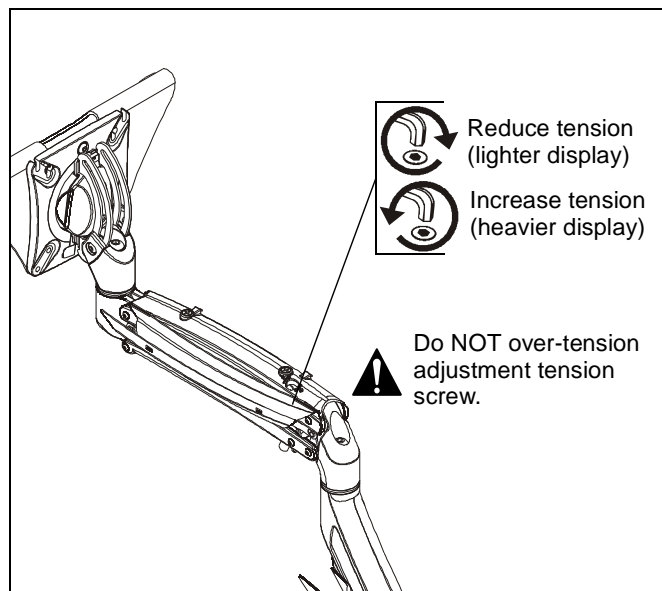


Figure 9

Cable Management

1. Press insides of cable management covers at both ends to unhinge tabs on either end of cable management cover on upper arm. (See Figure 10)
2. Lift cable management cover up until tabs are unhinged and cover is in the "open" position. (See Figure 10)

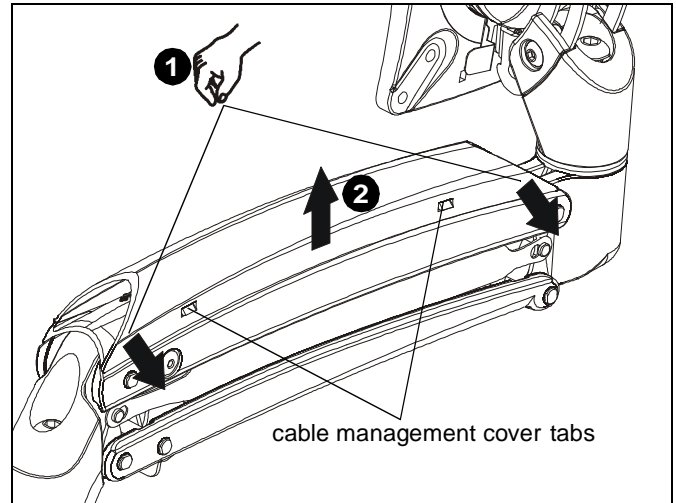


Figure 10

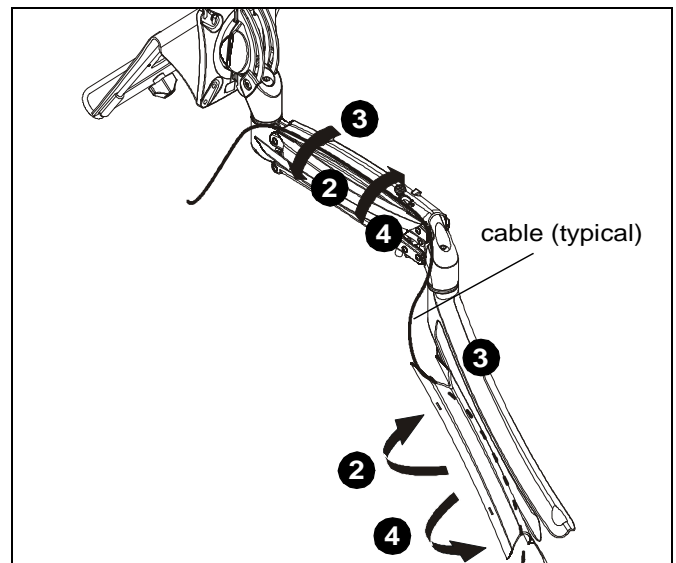


Figure 11

3. Route cables through cable management channels. (See Figure 11)

IMPORTANT ! : Be sure to leave enough slack in the cables near display and arm joint to allow for full arm articulation!

4. Close cable management covers on monitor arm. (See Figure 11)
5. Repeat Steps 1-4 for lower arm.



8800-002703 Rev00
01/15

Da-Lite Screen Company, LLC

3100 North Detroit Street
P.O. Box 137
Warsaw, IN 46581-0137
Phone: 800.267.8101
Toll Free: 574.267.3737
Fax: 574.267.7804
Toll Free Fax: 877.325.4832
www.da-lite.com
info@da-lite.com

