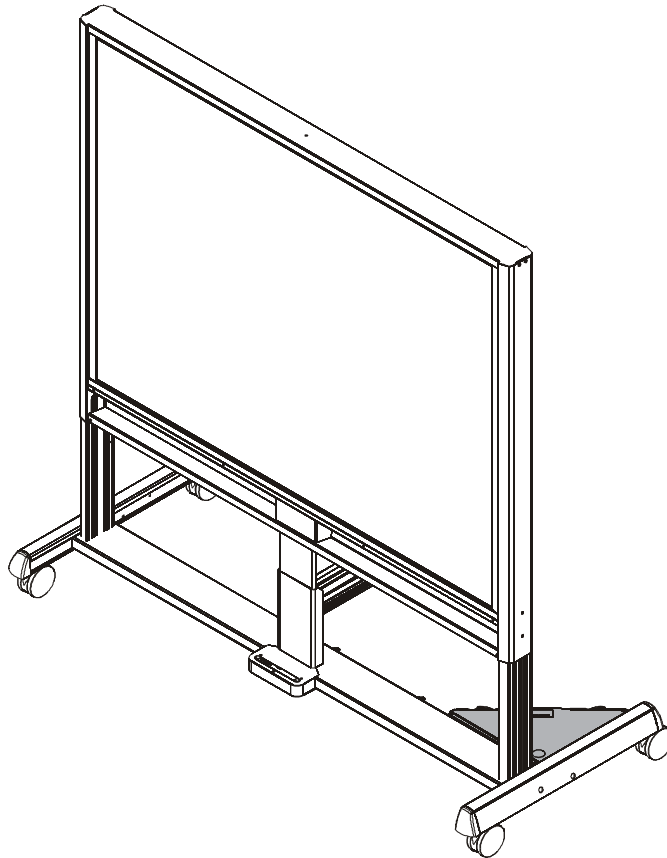

INSTALLATION INSTRUCTIONS



IDEA™ Interactive Rear Projector Cart Shelf

DA-LITE

22517

DISCLAIMER

Milestone AV Technologies and its affiliated corporations and subsidiaries (collectively "Milestone"), intend to make this manual accurate and complete. However, Milestone makes no claim that the information contained herein covers all details, conditions or variations, nor does it provide for every possible contingency in connection with the installation or use of this product. The information contained in this document is subject to change without notice or obligation of any kind. Milestone makes no representation of warranty, expressed or implied, regarding the information contained herein. Milestone assumes no responsibility for accuracy, completeness or sufficiency of the information contained in this document.

Da-Lite® is a registered trademark of Milestone AV Technologies. All rights reserved.



WARNING: Use this mounting system only for its intended use as described in these instructions. Do not use attachments not recommended by the manufacturer.



WARNING: Never operate this mounting system if it is damaged. Return the mounting system to a service center for examination and repair.



WARNING: Do not use this product outdoors.

--SAVE THESE INSTRUCTIONS--



IMPORTANT SAFETY INSTRUCTIONS



WARNING: A WARNING alerts you to the possibility of serious injury or death if you do not follow the instructions.



CAUTION: A CAUTION alerts you to the possibility of damage or destruction of equipment if you do not follow the corresponding instructions.



WARNING: Failure to read, thoroughly understand, and follow all instructions can result in serious personal injury, damage to equipment, or voiding of factory warranty! It is the installer's responsibility to make sure all components are properly assembled and installed using the instructions provided.

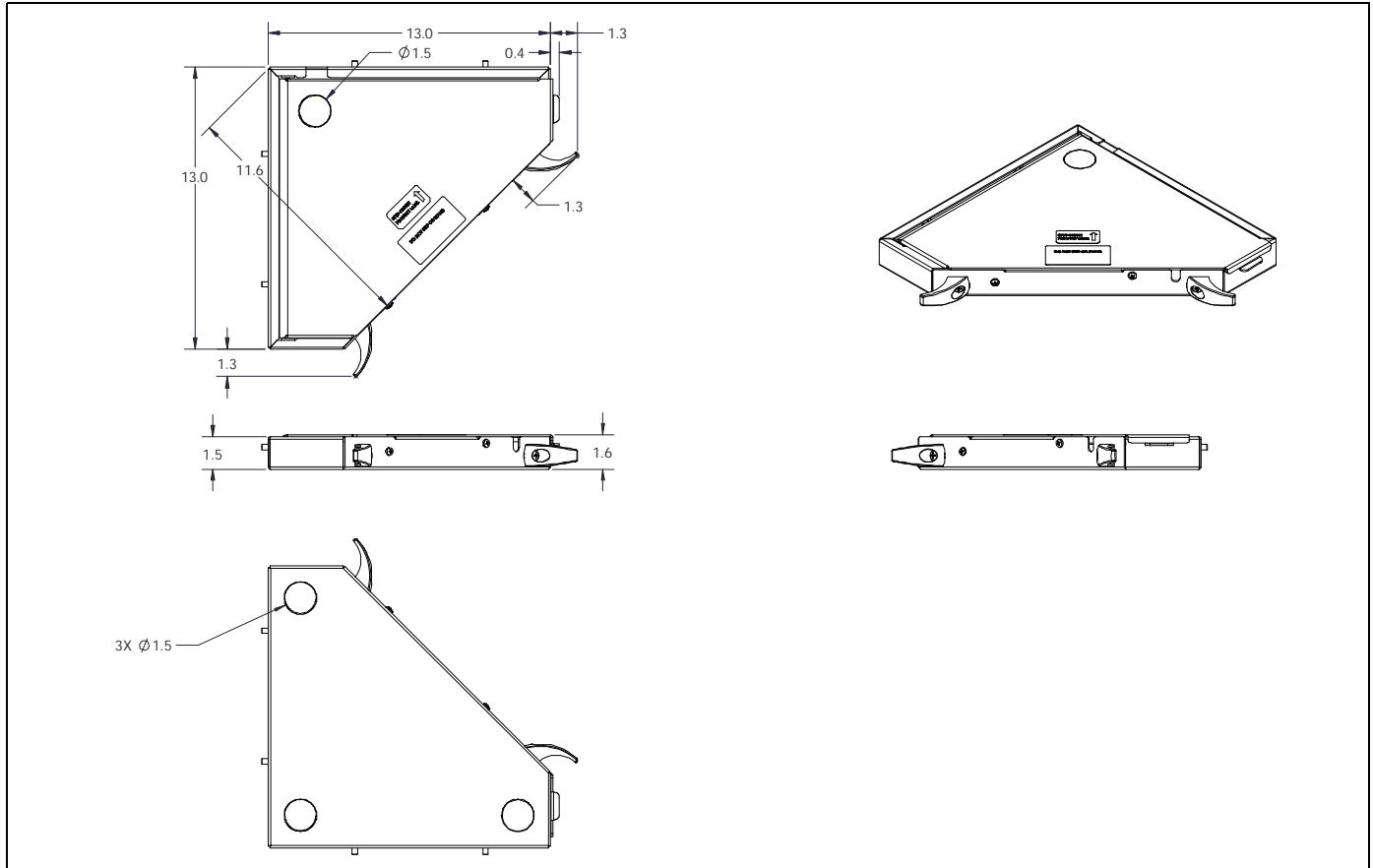


WARNING: Failure to provide adequate structural strength for this component can result in serious personal injury or damage to equipment! It is the installer's responsibility to make sure the structure to which this component is attached can support five times the combined weight of all equipment. Reinforce the structure as required before installing the component.

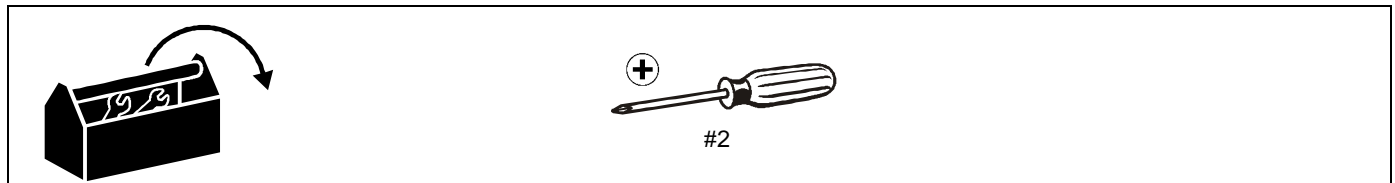


WARNING: Exceeding the weight capacity can result in serious personal injury or damage to equipment! It is the installer's responsibility to make sure the combined weight of all components located on and inside the shelf do not exceed 25 lbs (11.34 kg).

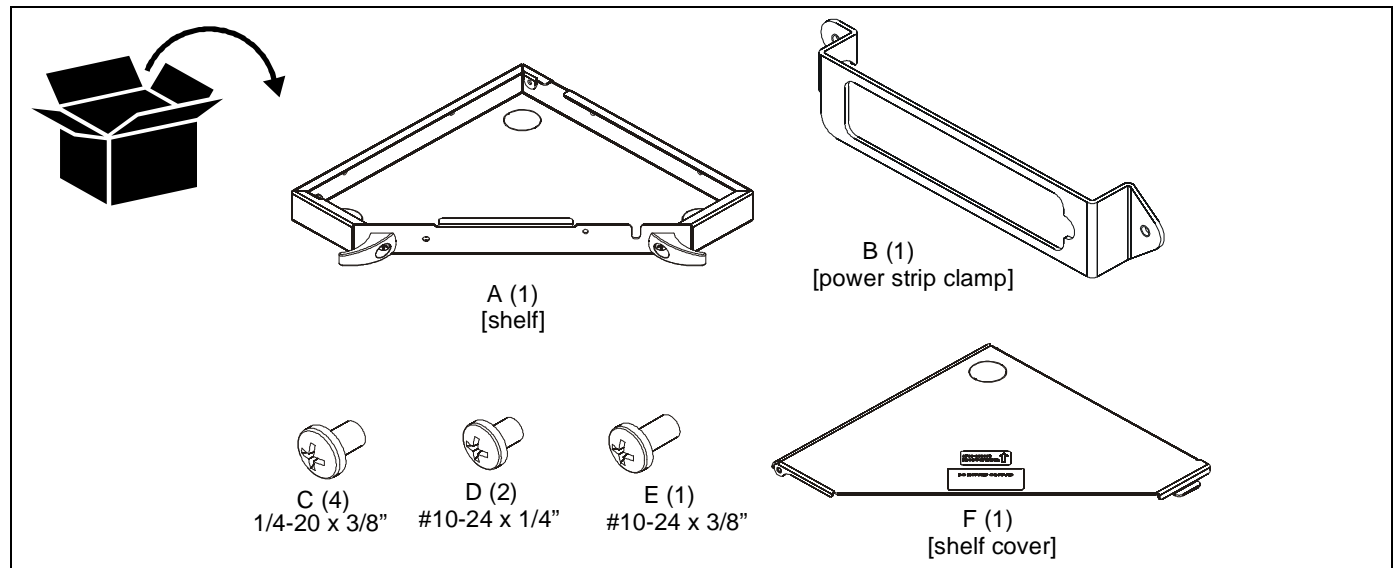
DIMENSIONS



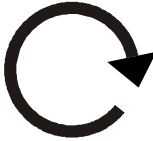

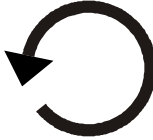









TOOLS REQUIRED FOR INSTALLATION



PARTS



LEGEND

	Tighten Fastener Apretar elemento de fijación Befestigungsteil festziehen Apertar fixador Serrare il fissaggio Bevestiging vastdraaien Serrez les fixations		Pencil Mark Marcar con lápiz Stiftmarkierung Marcar com lápis Segno a matita Potloodmerkteken Marquage au crayon
	Loosen Fastener Aflojar elemento de fijación Befestigungsteil lösen Desapertar fixador Allentare il fissaggio Bevestiging losdraaien Desserrez les fixations		Drill Hole Perforar Bohrloch Fazer furo Praticare un foro Gat boren Percez un trou
	Phillips Screwdriver Destornillador Phillips Kreuzschlitzschraubendreher Chave de fendas Phillips Cacciavite a stella Kruiskopschroevendraaier Tournevis à pointe cruciforme		Adjust Ajustar Einstellen Ajustar Regolare Afstellen Ajuster
	Open-Ended Wrench Llave de boca Gabelschlüssel Chave de bocas Chiave a punte aperte Steeksleutel Clé à fourche		Remove Quitar Entfernen Remover Rimuovere Verwijderen Retirez
	By Hand A mano Von Hand Com a mão A mano Met de hand À la main		Optional Opcional Optional Opcional Opzionale Optie En option
	Hex-Head Wrench Llave de cabeza hexagonal Sechskantschlüssel Chave de cabeça sextavada Chiave esagonale Zeskantsleutel Clé à tête hexagonale		Security Wrench Llave de seguridad Sicherheitsschlüssel Chave de segurança Chiave di sicurezza Veiligheidsleutel Clé de sécurité

Assembly And Installation

1. Use two 1/4-20 x 3/8" Phillips pan machine screws (C) to attach shelf (A) to cart leg. (See Figure 1)

NOTE: Shelf may be installed on either side of cart.

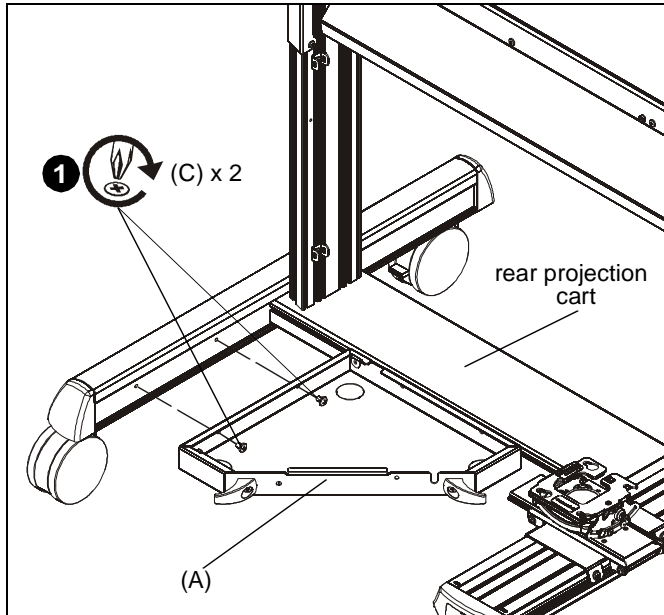


Figure 1

2. Use two 1/4-20 x 3/8" Phillips pan machine screws (C) to attach shelf (A) to cart cross bar. (See Figure 2)

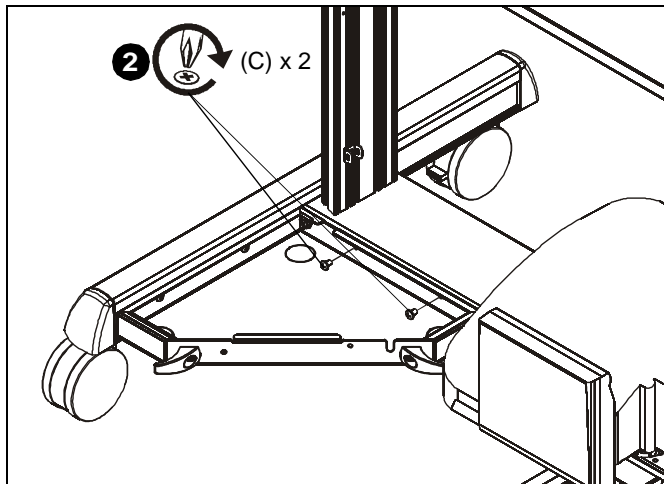


Figure 2

3. Install components to shelf drawer.



WARNING: Exceeding the weight capacity can result in serious personal injury or damage to equipment! It is the installer's responsibility to make sure the combined weight of all components located on and inside the shelf do not exceed 25 lbs (11.34 kg).

4. Install shelf door (F) to shelf (A). (See Figure 3)

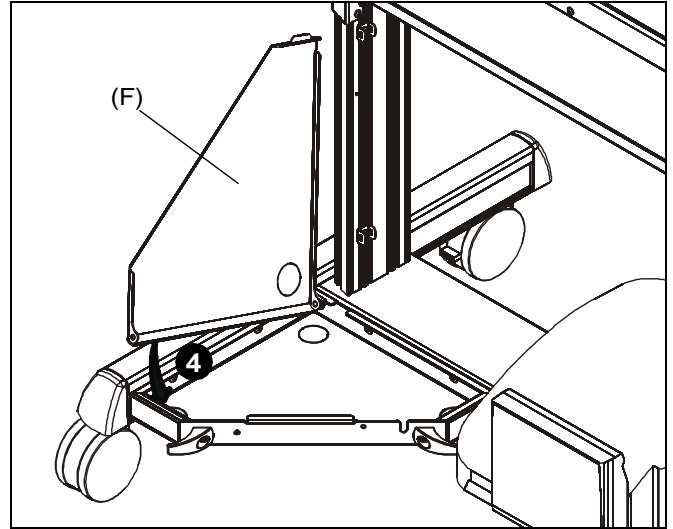


Figure 3

5. Use #10-24 x 3/8" Phillips pan machine screw (E) to secure door (F) to shelf (A). (See Figure 4)

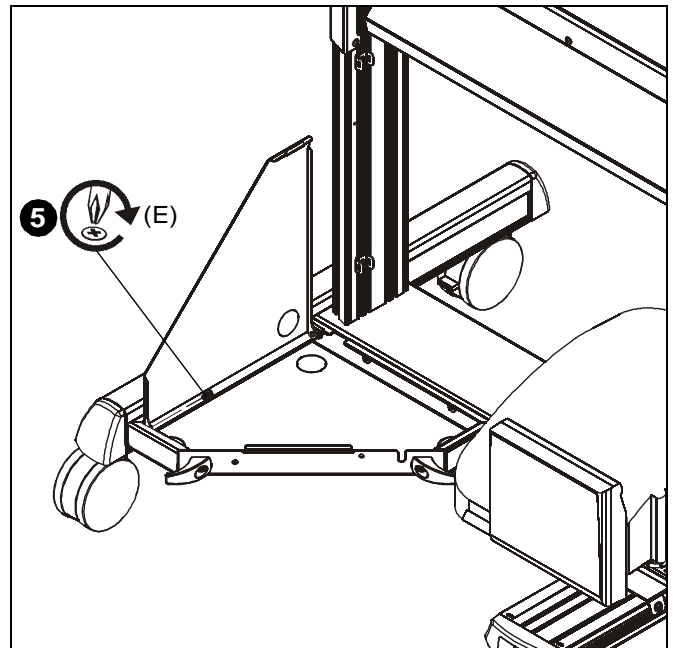


Figure 4

Power Strip Installation

IMPORTANT ! : Power strip clamp (C) was designed specifically for Da-Lite's E3 Electrical Assembly (part #5399) power strip. Do NOT attempt to install any other power strip to the power strip clamp!

1. Install power strip (sold separately) to power strip clamp (C).
2. Open shelf door (F).
3. Use two #10-24 x 1/4" Phillips pan machine screws (D) to secure power strip clamp (C) to shelf (A). (See Figure 5)
4. Route power strip cable through opening on shelf. (See Figure 5)

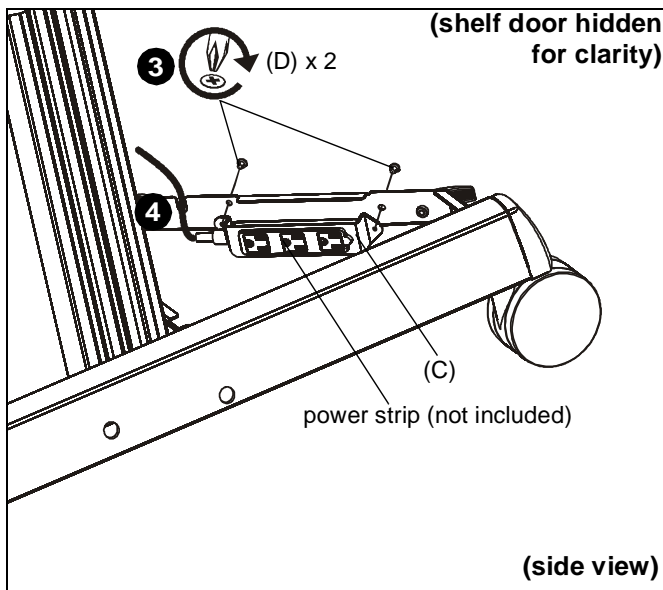


Figure 5

5. Close shelf door (F).

Cable Management

1. Route cables through drawer openings as desired. (See Figure 6)
2. Remove knockouts from drawer as needed for cable management purposes.
3. Route cables through removed knockout holes as desired. (See Figure 6)

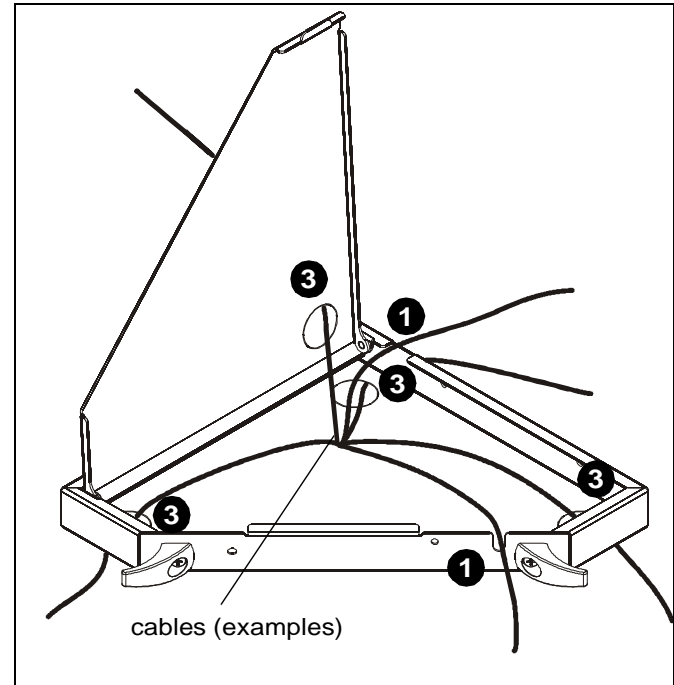


Figure 6



8800-002225 Rev04
06/13

Da-Lite Screen Company, LLC

3100 North Detroit Street
P.O. Box 137
Warsaw, IN 46581-0137
Phone: 800.267.8101
Toll Free: 574.267.3737
Fax: 574.267.7804
Toll Free Fax: 877.325.4832
www.da-lite.com
info@da-lite.com

