

Security Kit



Installation Instructions

Security Kit



Installation Instructions

Security Kit

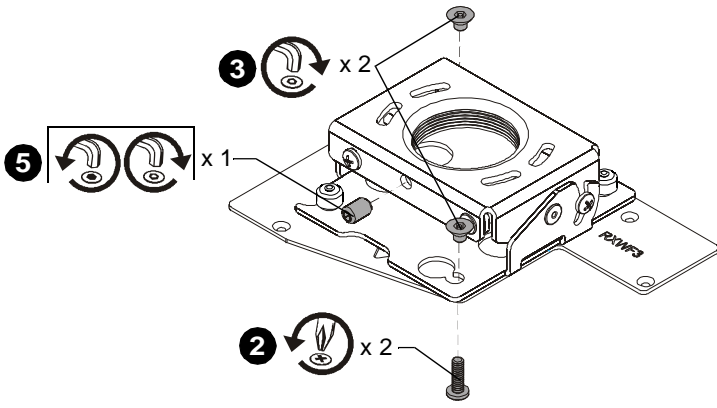


Installation Instructions

Security Kit



Installation Instructions



1. Remove two thumb nuts, preferably from opposite corners, securing bracket to RSA.
2. Remove two screws, from which thumb nuts in Step 1 were removed, from bottom side of bracket.
3. Using security wrench (provided), replace screws with 10-24 x 1/4" undercut security screws from top side.
4. Using security wrench and security screws from security hardware kit, secure bracket to projector.
5. Using security wrench (provided), remove 5/16" standard set screw and replace with 5/16" security set screw.

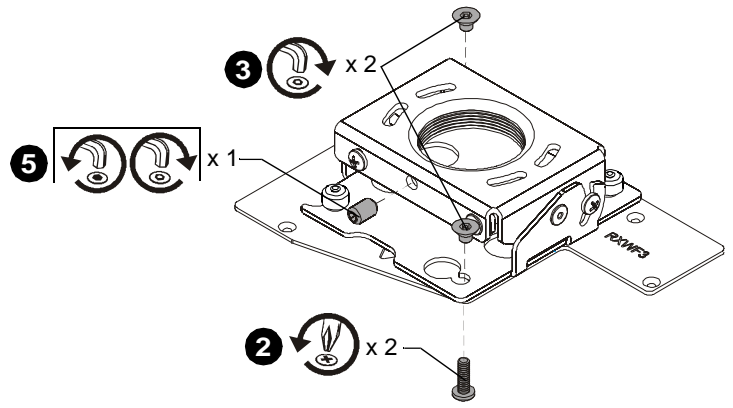


Chief Manufacturing, a products division of Milestone AV Technologies

8401 Eagle Creek Parkway, Savage, MN 55378

P800.582.6480 / 952.894.6280 F877.894.6918 / 952.894.6918

8800-002134 Rev00



1. Remove two thumb nuts, preferably from opposite corners, securing bracket to RSA.
2. Remove two screws, from which thumb nuts in Step 1 were removed, from bottom side of bracket.
3. Using security wrench (provided), replace screws with 10-24 x 1/4" undercut security screws from top side.
4. Using security wrench and security screws from security hardware kit, secure bracket to projector.
5. Using security wrench (provided), remove 5/16" standard set screw and replace with 5/16" security set screw.

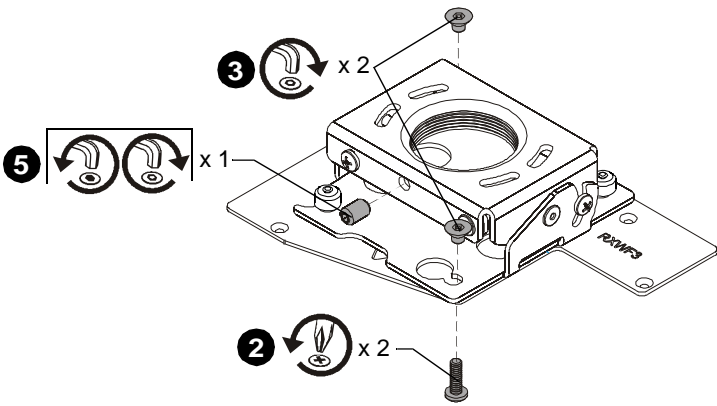


Chief Manufacturing, a products division of Milestone AV Technologies

8401 Eagle Creek Parkway, Savage, MN 55378

P800.582.6480 / 952.894.6280 F877.894.6918 / 952.894.6918

8800-002134 Rev00



1. Remove two thumb nuts, preferably from opposite corners, securing bracket to RSA.
2. Remove two screws, from which thumb nuts in Step 1 were removed, from bottom side of bracket.
3. Using security wrench (provided), replace screws with 10-24 x 1/4" undercut security screws from top side.
4. Using security wrench and security screws from security hardware kit, secure bracket to projector.
5. Using security wrench (provided), remove 5/16" standard set screw and replace with 5/16" security set screw.

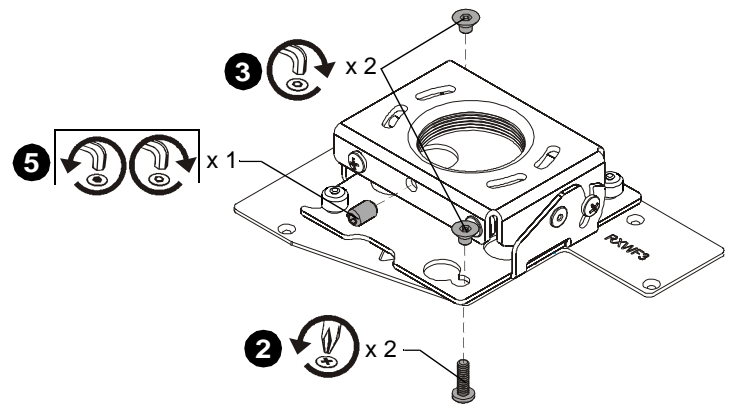


Chief Manufacturing, a products division of Milestone AV Technologies

8401 Eagle Creek Parkway, Savage, MN 55378

P800.582.6480 / 952.894.6280 F877.894.6918 / 952.894.6918

8800-002134 Rev00



1. Remove two thumb nuts, preferably from opposite corners, securing bracket to RSA.
2. Remove two screws, from which thumb nuts in Step 1 were removed, from bottom side of bracket.
3. Using security wrench (provided), replace screws with 10-24 x 1/4" undercut security screws from top side.
4. Using security wrench and security screws from security hardware kit, secure bracket to projector.
5. Using security wrench (provided), remove 5/16" standard set screw and replace with 5/16" security set screw.



Chief Manufacturing, a products division of Milestone AV Technologies

8401 Eagle Creek Parkway, Savage, MN 55378

P800.582.6480 / 952.894.6280 F877.894.6918 / 952.894.6918

8800-002134 Rev00