



STRUCTURAL CEILING PLATE W/ DECOUPLER DCS-200

DCS 200

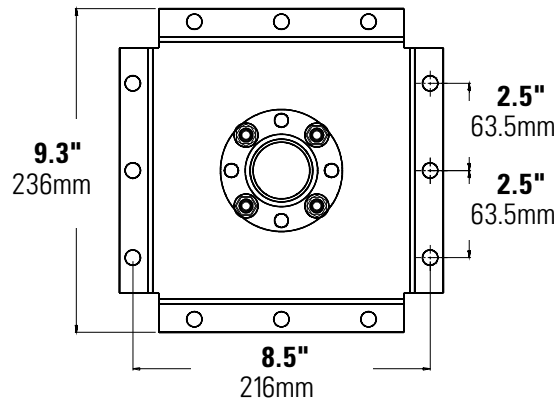
Structural Ceiling Plate with Decoupler for Jumbo TV Mounts. Unit has 1 1/2-11.5 NPT fitting for attachment of fixed or adjustable length extension column. Ceiling Plate attaches to concrete beam, slab, or other structural member.

*COMBINED BALANCED LOAD CAPACITY: 350 LBS.

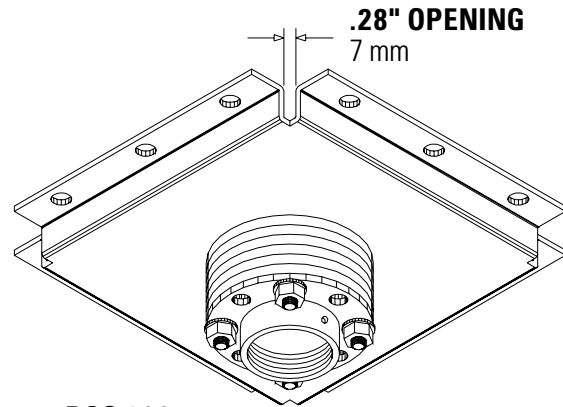
Architects Specifications:

The ceiling plate shall be located where indicated on the plans. It shall consist of a structural ceiling plate with an integral decoupler assembly to prevent vibrations (caused by seismic activity, etc.) from damaging TVs/monitors. The ceiling plate shall be UL Listed. The finish shall be Raven Black Fused Epoxy. Installation shall be made in accordance with the instructions provided by the manufacturer.

BOTTOM VIEW



ISOMETRIC VIEW



DCS 200

Dimensions shown are common to both DCS 200 and DCS 400

WARNING: IMPROPER INSTALLATION MAY RESULT IN SERIOUS PERSONAL INJURY!

The overhead support **must** be capable of supporting **five times** the weight of the mount **and** equipment combined. If it cannot, it **must** be reinforced.