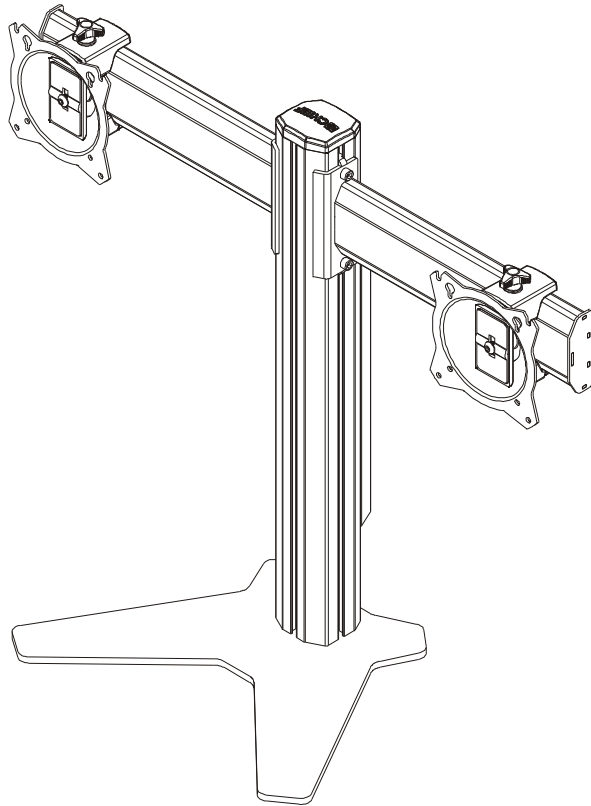

INSTALLATION INSTRUCTIONS



Dual Display Table Top Stand

DISCLAIMER

Milestone AV Technologies and its affiliated corporations and subsidiaries (collectively "Milestone"), intend to make this manual accurate and complete. However, Milestone makes no claim that the information contained herein covers all details, conditions or variations, nor does it provide for every possible contingency in connection with the installation or use of this product. The information contained in this document is subject to change without notice or obligation of any kind. Milestone makes no representation of warranty, expressed or implied, regarding the information contained herein. Milestone assumes no responsibility for accuracy, completeness or sufficiency of the information contained in this document.

Chief® is a registered trademark of Milestone AV Technologies. All rights reserved.

! IMPORTANT SAFETY INSTRUCTIONS

! WARNING: A WARNING alerts you to the possibility of serious injury or death if you do not follow the instructions.

! CAUTION: A CAUTION alerts you to the possibility of damage or destruction of equipment if you do not follow the corresponding instructions.

! WARNING: Failure to read, thoroughly understand, and

follow all instructions can result in serious personal injury, damage to equipment, or voiding of factory warranty! It is the installer's responsibility to make sure all components are properly assembled and installed using the instructions provided.

! WARNING: Exceeding the weight capacity can result in serious personal injury or damage to equipment! It is the installer's responsibility to make sure the combined weight of all components located on the DSR210 up to (and including) the display does not exceed 15 lbs (6.8 kg) per display.

! WARNING: This mounting system is intended for table top mounting ONLY!

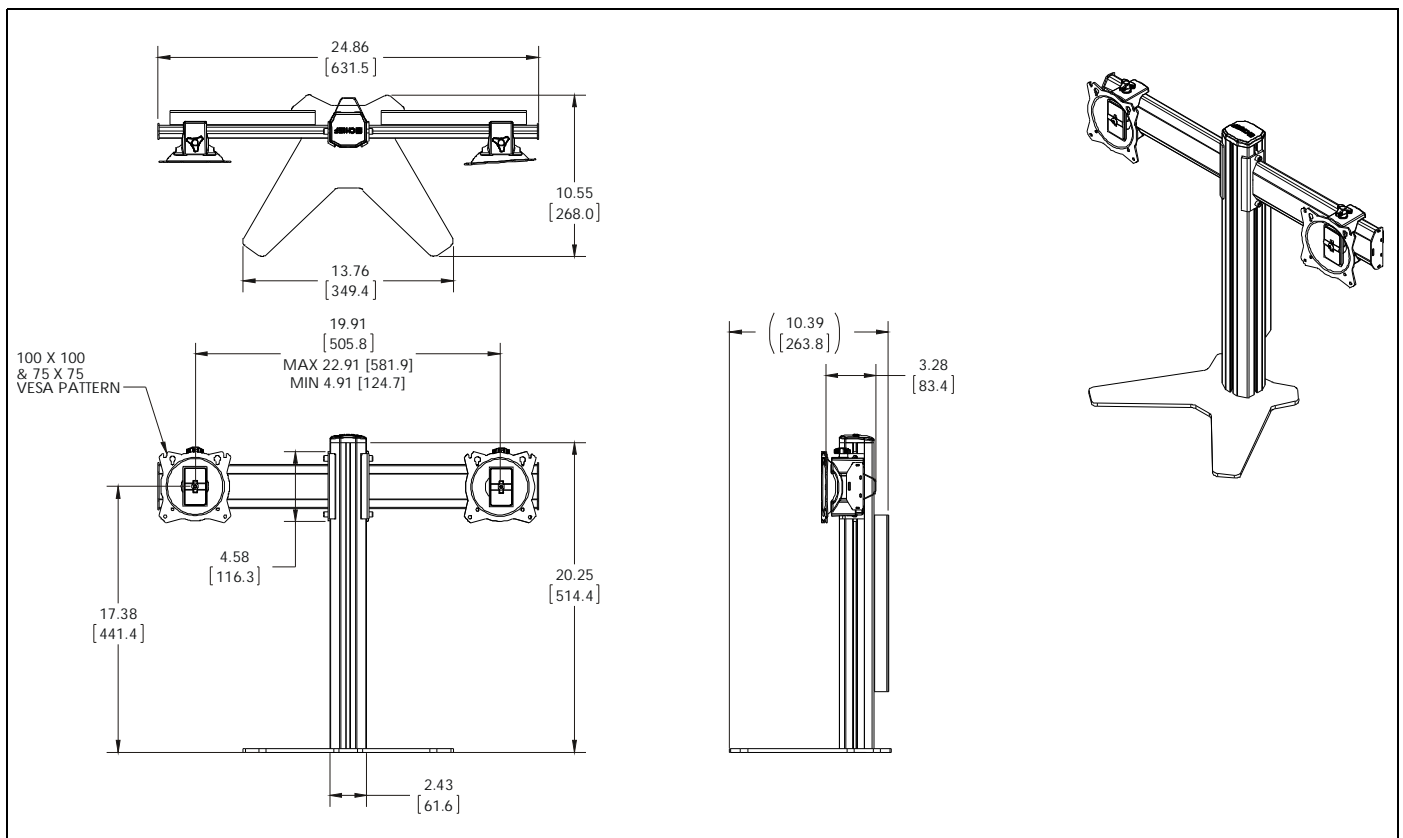
! WARNING: Use this mounting system only for its intended use as described in these instructions. Do not use attachments not recommended by the manufacturer.

! WARNING: Never operate this mounting system if it is damaged. Return the mounting system to a service center for examination and repair.

! WARNING: Do not use this product outdoors.

--SAVE THESE INSTRUCTIONS--

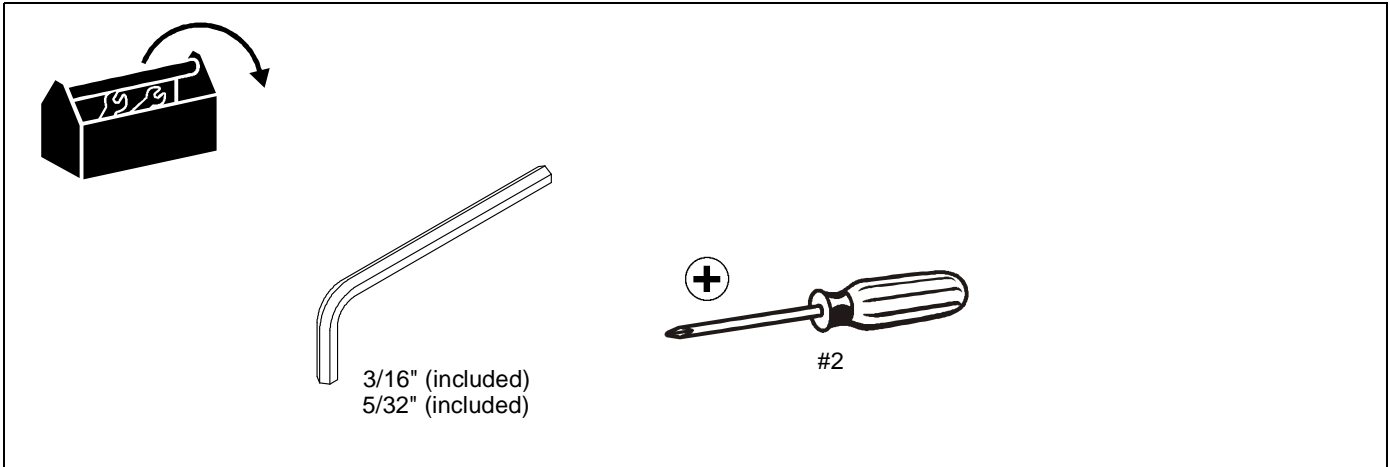
DIMENSIONS



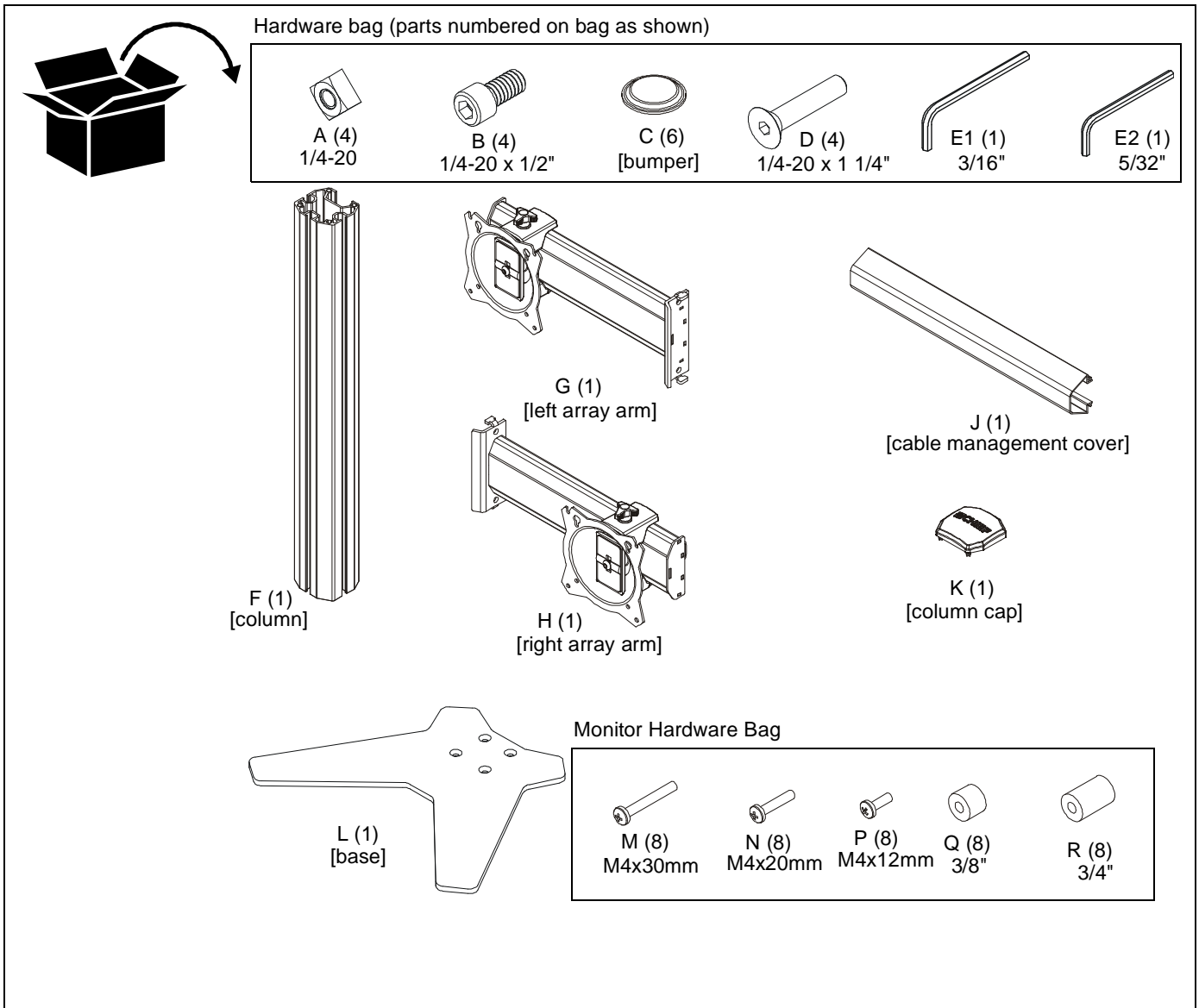
LEGEND

	<p>Tighten Fastener</p> <p>Apretar elemento de fijación</p> <p>Befestigungsteil festziehen</p> <p>Apertar fixador</p> <p>Serrare il fissaggio</p> <p>Bevestiging vastdraaien</p> <p>Serrez les fixations</p>		<p>Pencil Mark</p> <p>Marcar con lápiz</p> <p>Stiftmarkierung</p> <p>Marcar com lápis</p> <p>Segno a matita</p> <p>Potloodmerkten</p> <p>Marquage au crayon</p>
	<p>Loosen Fastener</p> <p>Aflojar elemento de fijación</p> <p>Befestigungsteil lösen</p> <p>Desapertar fixador</p> <p>Allentare il fissaggio</p> <p>Bevestiging losdraaien</p> <p>Desserrez les fixations</p>		<p>Drill Hole</p> <p>Perforar</p> <p>Bohrloch</p> <p>Fazer furo</p> <p>Praticare un foro</p> <p>Gat boren</p> <p>Percez un trou</p>
	<p>Phillips Screwdriver</p> <p>Destornillador Phillips</p> <p>Kreuzschlitzschraubendreher</p> <p>Chave de fendas Phillips</p> <p>Cacciavite a stella</p> <p>Kruiskopschroevendraaier</p> <p>Tournevis à pointe cruciforme</p>		<p>Adjust</p> <p>Ajustar</p> <p>Einstellen</p> <p>Ajustar</p> <p>Regolare</p> <p>Afstellen</p> <p>Ajuster</p>
	<p>Open-Ended Wrench</p> <p>Llave de boca</p> <p>Gabelschlüssel</p> <p>Chave de bocas</p> <p>Chiave a punte aperte</p> <p>Steeksleutel</p> <p>Clé à fourche</p>		<p>Remove</p> <p>Quitar</p> <p>Entfernen</p> <p>Remover</p> <p>Rimuovere</p> <p>Verwijderen</p> <p>Retirez</p>
	<p>By Hand</p> <p>A mano</p> <p>Von Hand</p> <p>Com a mão</p> <p>A mano</p> <p>Met de hand</p> <p>À la main</p>		<p>Optional</p> <p>Opcional</p> <p>Optional</p> <p>Opcional</p> <p>Opzionale</p> <p>Optie</p> <p>En option</p>
	<p>Hex-Head Wrench</p> <p>Llave de cabeza hexagonal</p> <p>Sechskantschlüssel</p> <p>Chave de cabeça sextavada</p> <p>Chiave esagonale</p> <p>Zeskantsleutel</p> <p>Clé à tête hexagonale</p>		<p>Security Wrench</p> <p>Llave de seguridad</p> <p>Sicherheitsschlüssel</p> <p>Chave de segurança</p> <p>Chiave di sicurezza</p> <p>Veiligheidsleutel</p> <p>Clé de sécurité</p>

TOOLS REQUIRED FOR INSTALLATION



PARTS



Assembly And Installation

1. Use four 1/4-20 x 1 1/4" flat head cap screws (D) to secure base (L) to column (F). (See Figure 1)

NOTE: Make sure front of base (long legs) is on the display side when attaching base to column. (See Figure 1)

2. Apply bumpers (C) to underside of base (L). (See Figure 1)

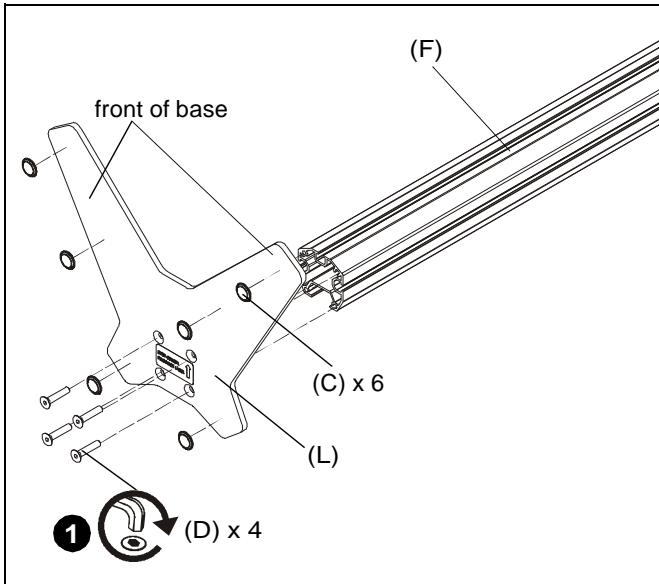


Figure 1

3. Loosely attach two 1/4-20 x 1/2" socket head cap screws (B) and two 1/4-20 square nuts (A) to left and right array arms (G and H). (See Figure 2)

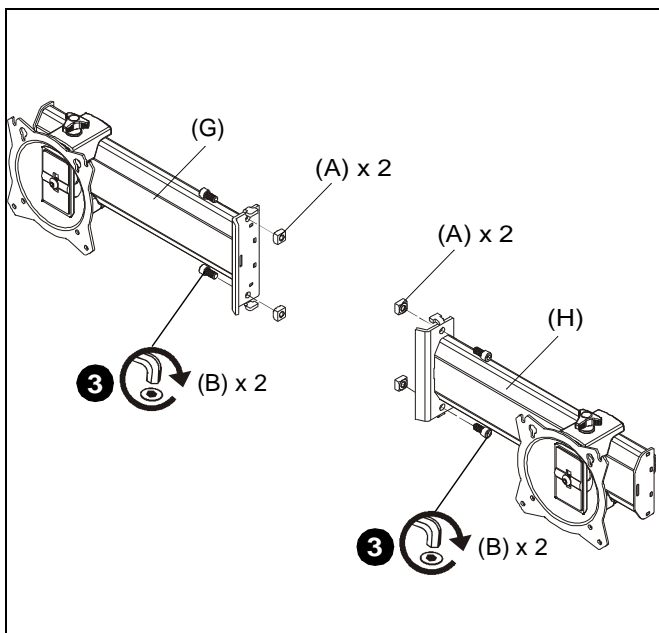


Figure 2

4. Slide right and left array arms (G and H) into column (F). (See Figure 3)

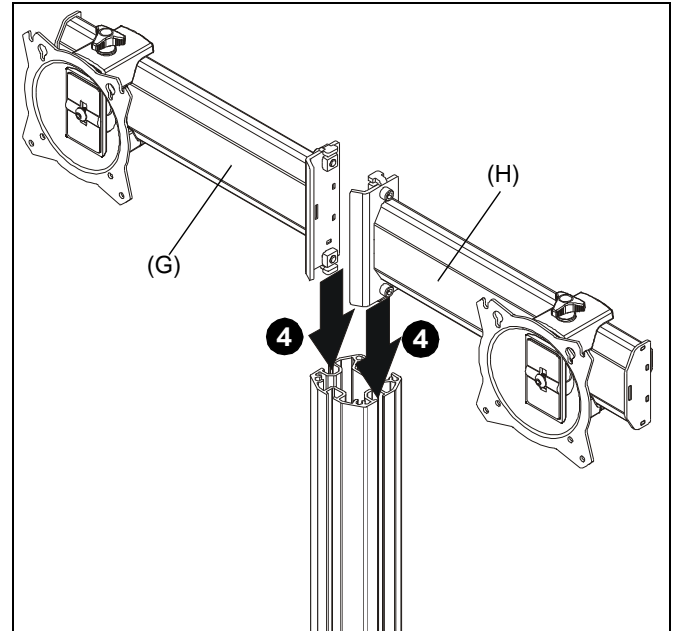


Figure 3

5. Adjust arms (G and H) to desired mounting height. (See Figure 4)
6. Tighten 1/4-20 x 1/2" socket head cap screws (B) to secure array arms (G and H) in desired positions. (See Figure 4)
7. Secure column cap (K) to top of column (F). (See Figure 4)

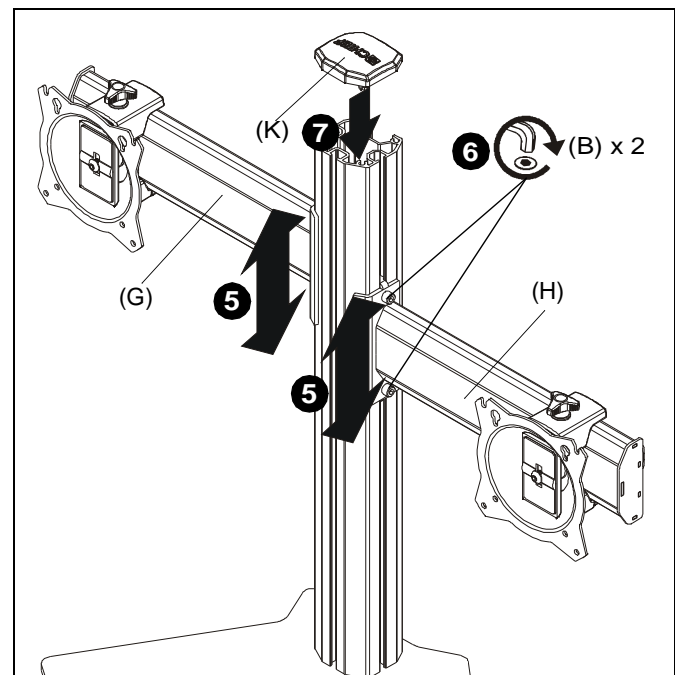


Figure 4

Display Installation

WARNING: Exceeding the weight capacity can result in serious personal injury or damage to equipment! It is the installer's responsibility to make sure the combined weight of all components located on the DSR210 up to (and including) the display does not exceed 15 lbs (6.8 kg) per display.

CAUTION: Using screws of improper size may damage your display! Proper screws will easily thread into display mounting holes.

NOTE: Supplied screws (M, N and P) may not fit properly for all displays. See display's operating instructions for details.

Flush Mounting Holes

IMPORTANT ! : Be sure to support opposite arm when mounting displays to prevent stand from tipping!

1. Position faceplate in desired mounting position. Adjust as required before proceeding. See Height Adjustment Section for details.
2. Using Phillips screwdriver, carefully install two M4 x 12mm Phillips pan machine screws (P) into the *upper* mounting holes on the display. Thread screws completely into display, then back out 3 complete turns. (See Figure 5)

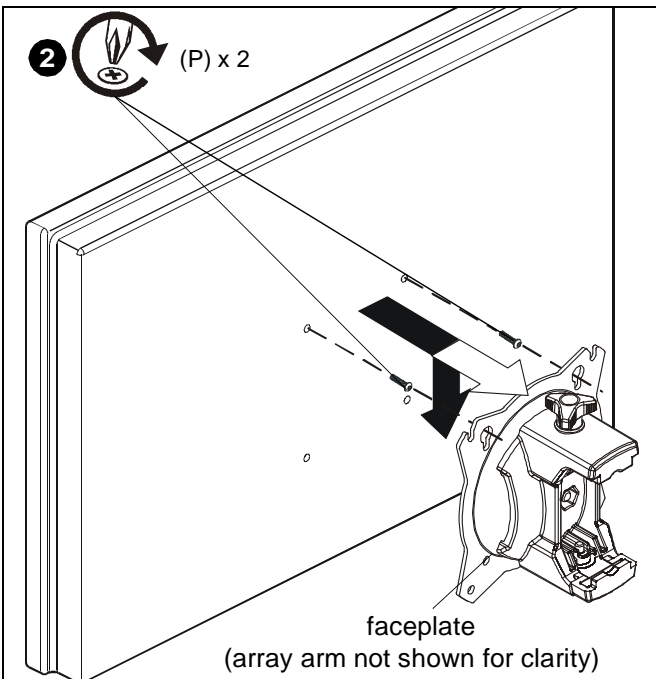


Figure 5

3. Pick up and align display so that screws (P) (installed on the back of the display in the previous step) fit into the mounting holes on the faceplate. Lower the display firmly into place. (See Figure 5)
4. Using Phillips screwdriver, install two M4x12mm Phillips pan machine screws (P) through the *lower* mounting holes on faceplate into the display. (See Figure 6)

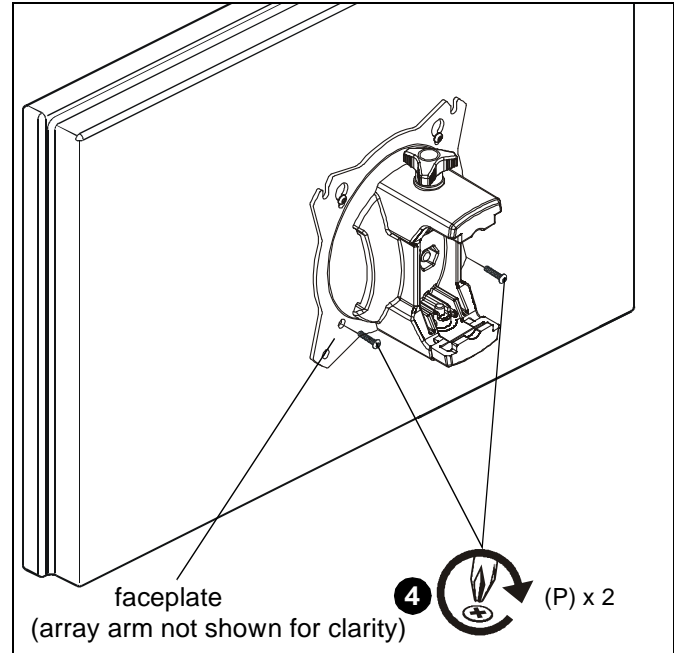


Figure 6

5. Tighten all four screws (P). Do not overtighten!
6. Repeat Steps 1-5 for display on opposite side.
7. Proceed to Cable Management Section.

Recessed Mounting Holes

NOTE: If faceplate does not fit into recessed area of display, proceed with the steps in this section.

1. Determine depth of recessed mounting holes relative to back surface of display (against which faceplate will contact).
2. Select proper length spacer and screw from table below:

NOTE: All spacers used should be the same length. If the recess depths result in multiple spacer lengths, then select the longer spacer.

IF recess DEPTH is:	THEN use spacer:	AND screw:
3/8" or less	Q (3/8" long)	N (M4 x 20mm)
More than 3/8" up to and including 3/4"	R (3/4" long)	M (M4 x 30mm)

CAUTION: Using screws of improper size may damage your display! Proper screws will easily and completely thread into display mounting holes.

3. Using Phillips screwdriver, carefully install two selected screws (N or M) through selected spacers (Q or R) into the *upper* mounting holes on the display. Thread screws completely into display, then back out 3 complete turns. (See Figure 7)
4. Pick up and align display so that screws (N or M) (installed on the back of the display in the previous step) fit into the mounting holes on the faceplate. Lower the display firmly into place. (See Figure 7)

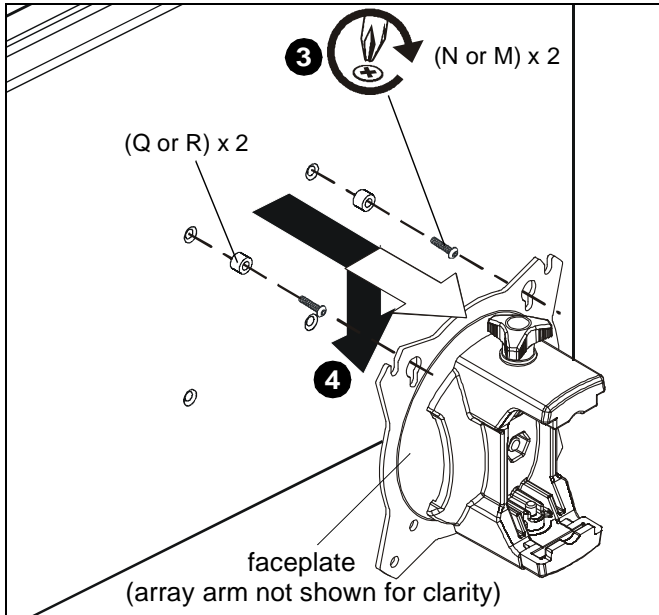


Figure 7

5. Slide two remaining selected spacers (Q or R) in between faceplate and display, positioning them over the *lower* two mounting holes. (See Figure 8)
6. Install two remaining selected screws (N or M) through *lower* two mounting holes on faceplate, selected spacers (Q or R) into the *lower* mounting holes on the display. (See Figure 8)

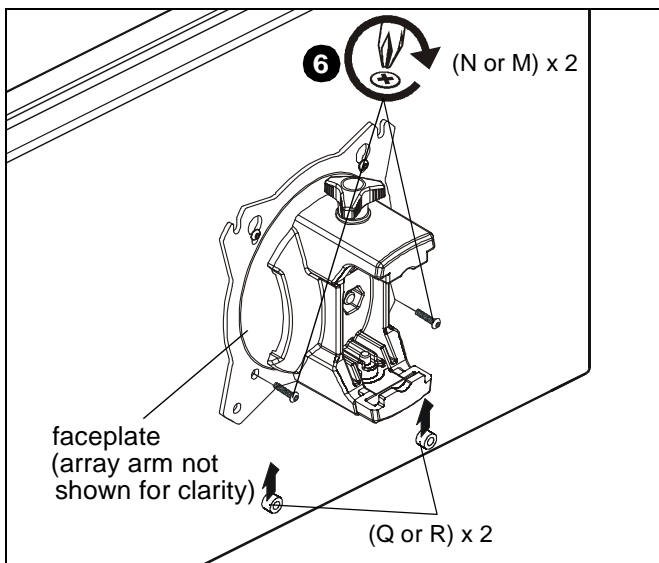


Figure 8

7. Tighten all four screws. Do not overtighten!

Adjustments

Height Adjustment

1. Loosen height adjustment screws for specific display that will be adjusted. (See Figure 9)
2. Adjust arm or display to desired height. (See Figure 9)
3. Tighten height adjustment screws to lock display's position. (See Figure 9)

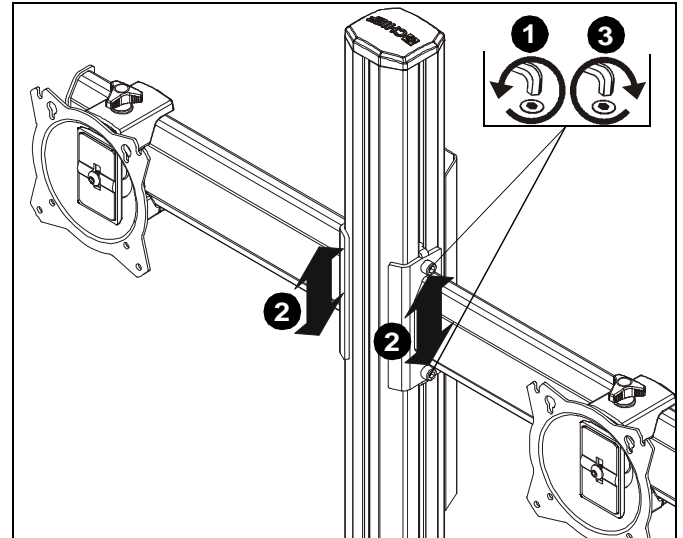


Figure 9

Faceplate Assembly Removal

1. Remove hex head bolt from bottom of faceplate assembly. (See Figure 10)
2. Slide out removable plate from bottom of faceplate assembly. (See Figure 10)

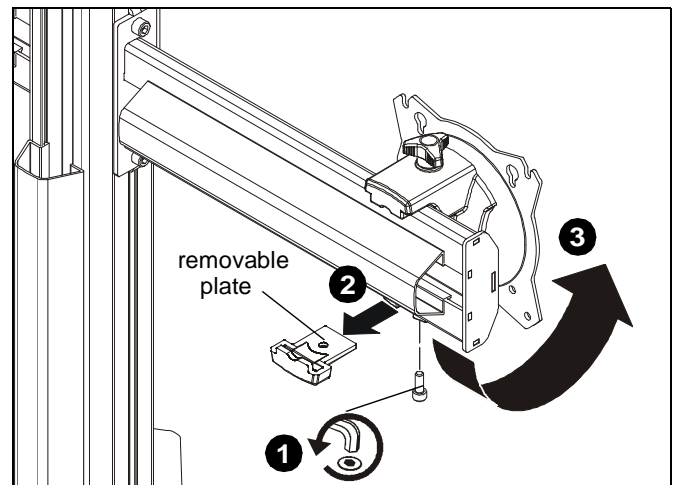


Figure 10

3. Remove faceplate assembly from array arm. (See Figure 10)

To Reattach Outside Faceplate Assembly

NOTE: Faceplate assemblies may be reattached on the fixed part of the arm. (See Figure 11)

- Place faceplate assembly on array arm at desired mounting position. (See Figure 11)
- Slide removable plate back into slot at bottom of faceplate assembly. (See Figure 11)
- Reinstall hex head bolt removed in Step 1 to secure faceplate assembly to array arm. (See Figure 11)

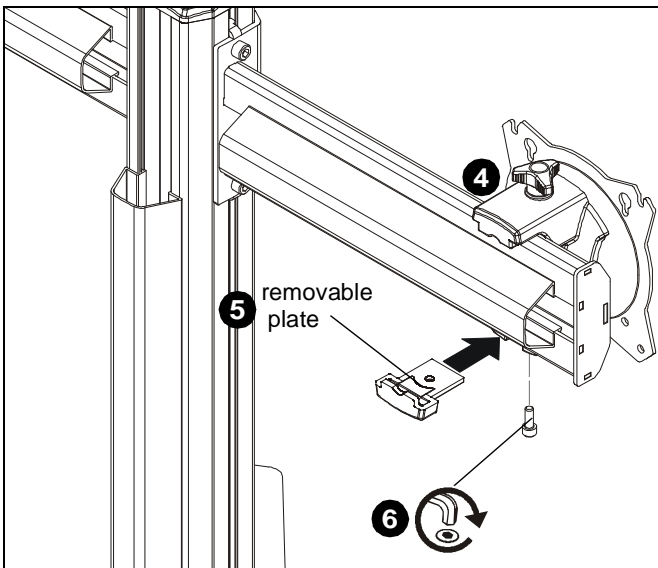


Figure 11

Lateral Shift

- Loosen knob on top of outside faceplate assembly until faceplate can slide freely along array arm. (See Figure 12)
- Adjust lateral position as desired. (See Figure 12)
- Tighten knob to secure lateral position. (See Figure 12)

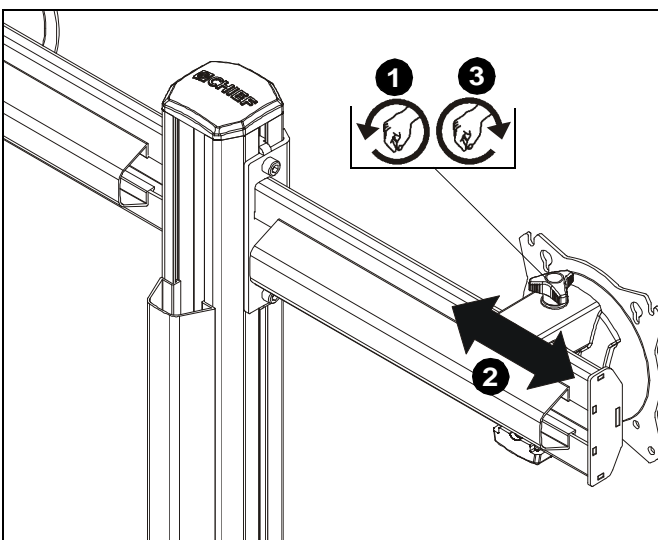


Figure 12

Pitch/Roll/Yaw Adjustment

- Loosen knob on top of faceplate assembly. (See Figure 13)
- Adjust pitch, roll and/or yaw as desired. (See Figure 13)
- Tighten knob to secure desired faceplate position. (See Figure 13)

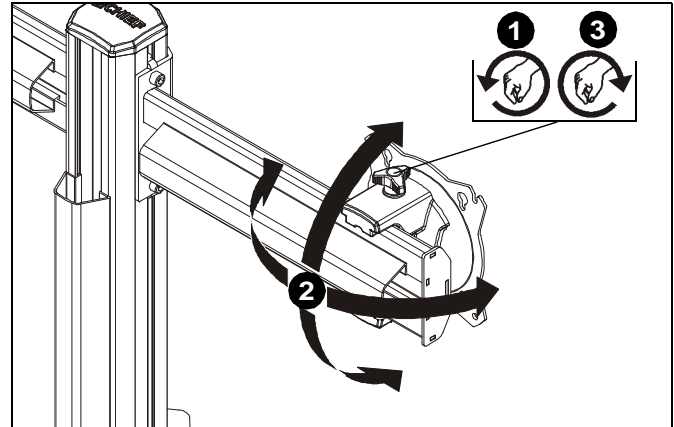


Figure 13

Cable Management

- Remove two cable management covers on back of array arms. (See Figure 14)
- Route cables from display through cable management covers (removed covers and J) as desired. (See Figure 14)
- Reinstall removed covers to array arms. (See Figure 14)
- Install column cable management cover (J) onto column (F). (See Figure 14)

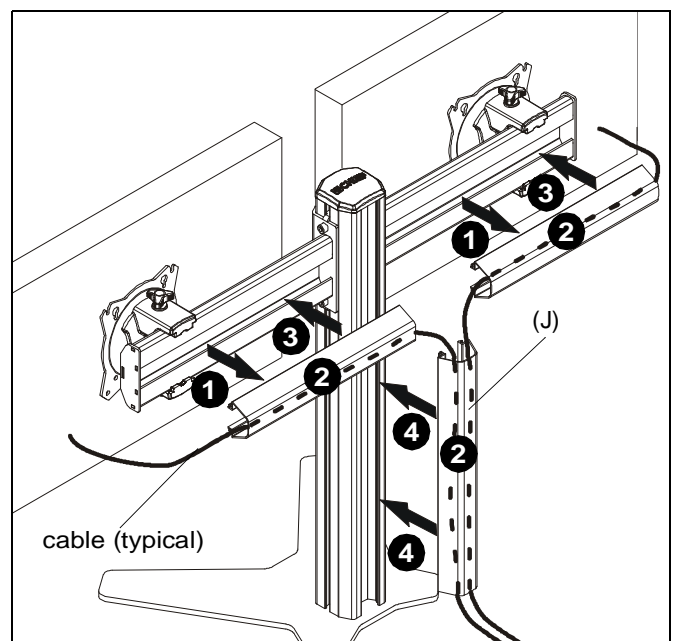


Figure 14



Our Mounts. **Your Vision.**

Chief Manufacturing, a products division
of Milestone AV Technologies

8800-002324 Rev02
©2013 Milestone AV Technologies, a
Duchossois Group Company
www.chiefmfg.com
05/13

USA/International	A 6436 City West Parkway, Eden Prairie, MN 55344 P 800.582.6480 / 952.225.6000 F 877.894.6918 / 952.894.6918
Europe	A Franklinstraat 14, 6003 DK Weert, Netherlands P +31 (0) 495 580 852 F +31 (0) 495 580 845
Asia Pacific	A Office No. 1 on 12/F, Shatin Galleria 18-24 Shan Mei Street Fotan, Shatin, Hong Kong P 852 2145 4099 F 852 2145 4477

