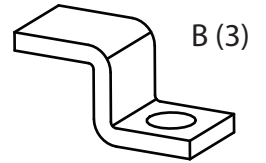


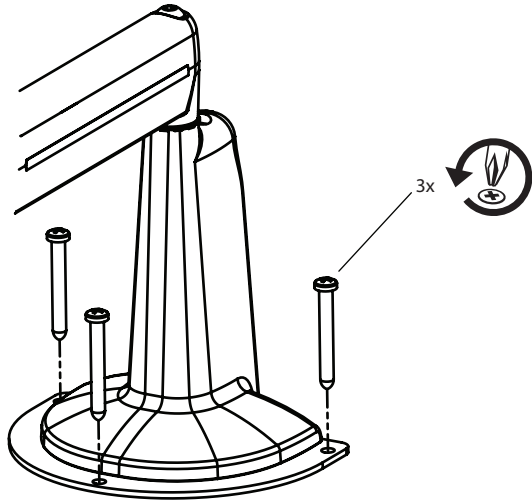
TOOLS NEEDED



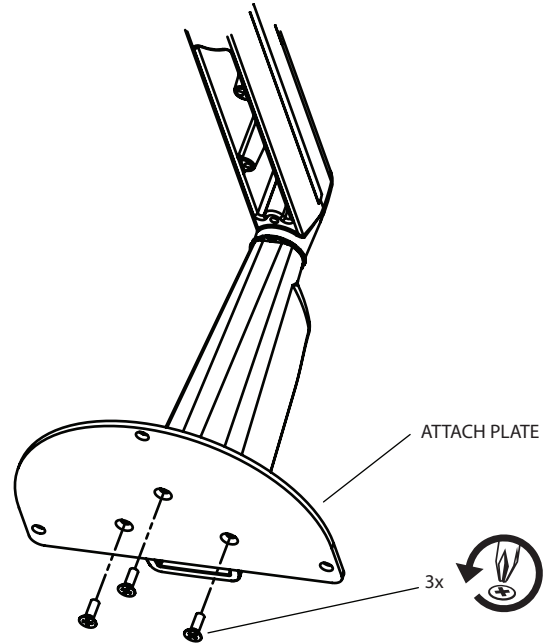
M4 X 16 PHILLIPS
FLAT HEAD SCREWS



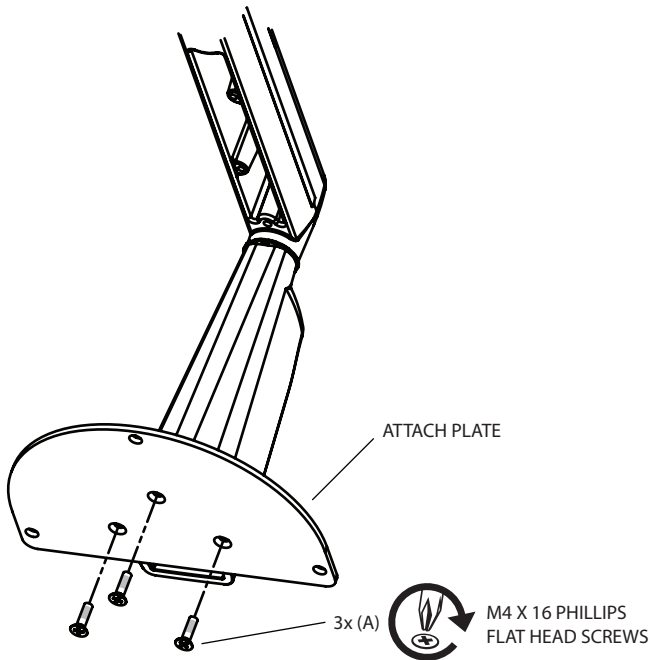
SECURE BRACKETS



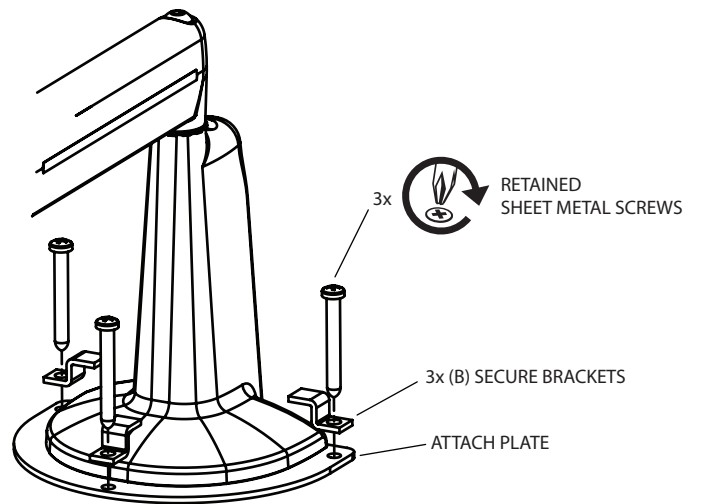
STEP 1:
REMOVE (3) SHEET METAL SCREWS ATTACHING
EXISTING MOUNT (KEEP SCREWS FOR RE-USE)



STEP 2:
REMOVE (3) FLAT HEAD SCREWS FROM BOTTOM
OF ATTACH PLATE (PROPERLY DISPOSE OF SCREWS)



STEP 3:
INSTALL (3) M4 X 16 PHILLIPS FLAT HEAD SCREWS (A)
PROVIDED WITH KIT INTO BOTTOM OF ATTACH PLATE



STEP 4:
INSTALL (3) SECURE BRACKETS (B) WITH
(3) SHEET METAL SCREWS RETAINED FROM STEP 1
THROUGH ATTACH PLATE AND INTO MOUNTING SURFACE