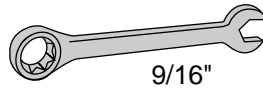
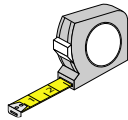
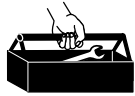
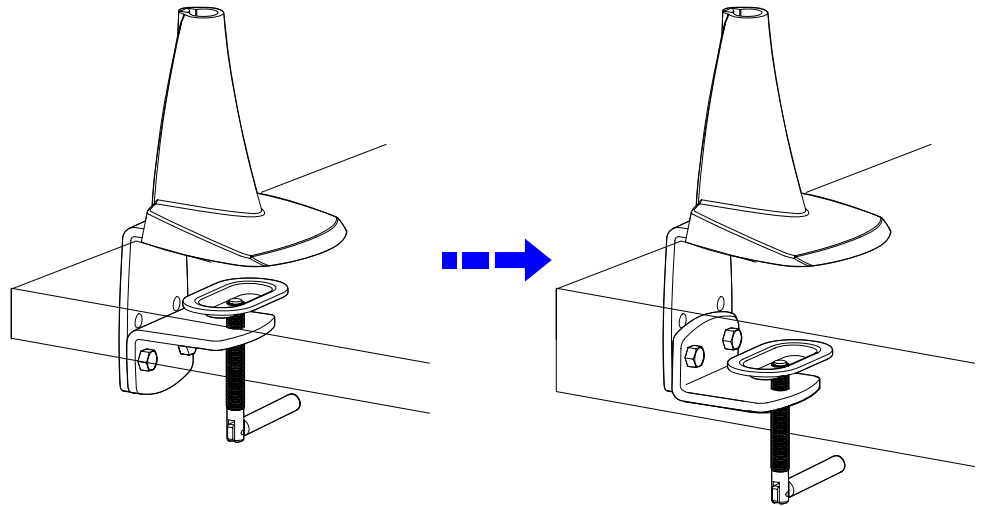


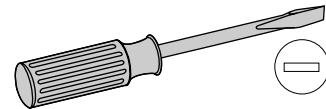


INSTALLATION MANUAL

**Extending Desk
Clamp for
Worksurfaces
up to 3½"
Thick**

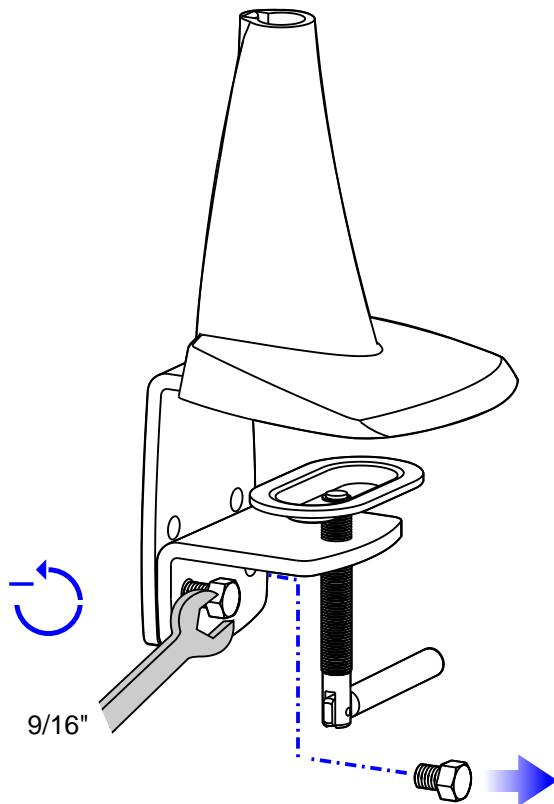


9/16"



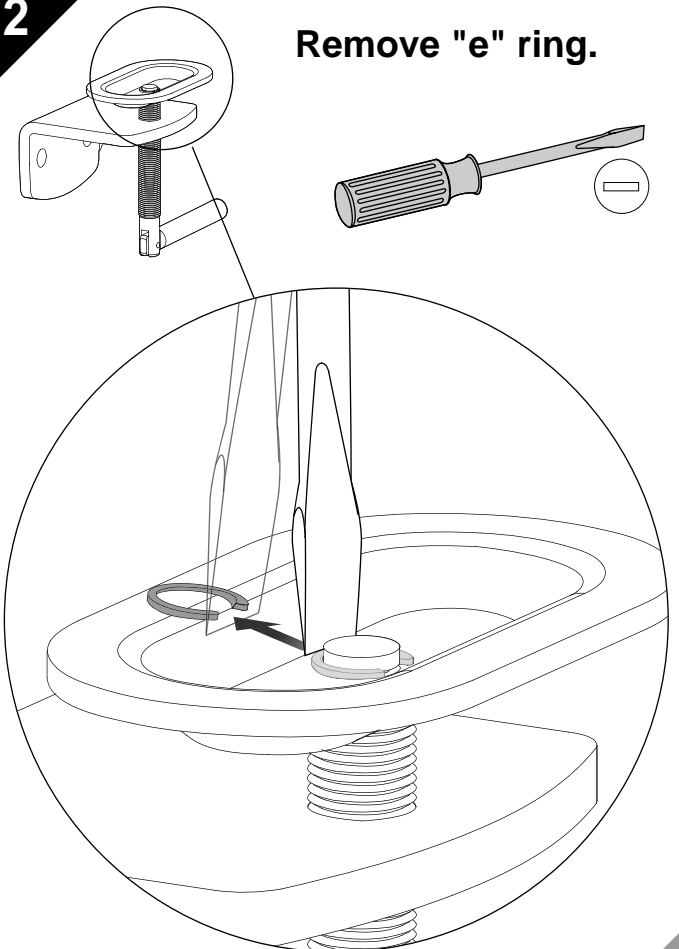
1

**Remove lower bracket from Desk
Clamp assembly.**

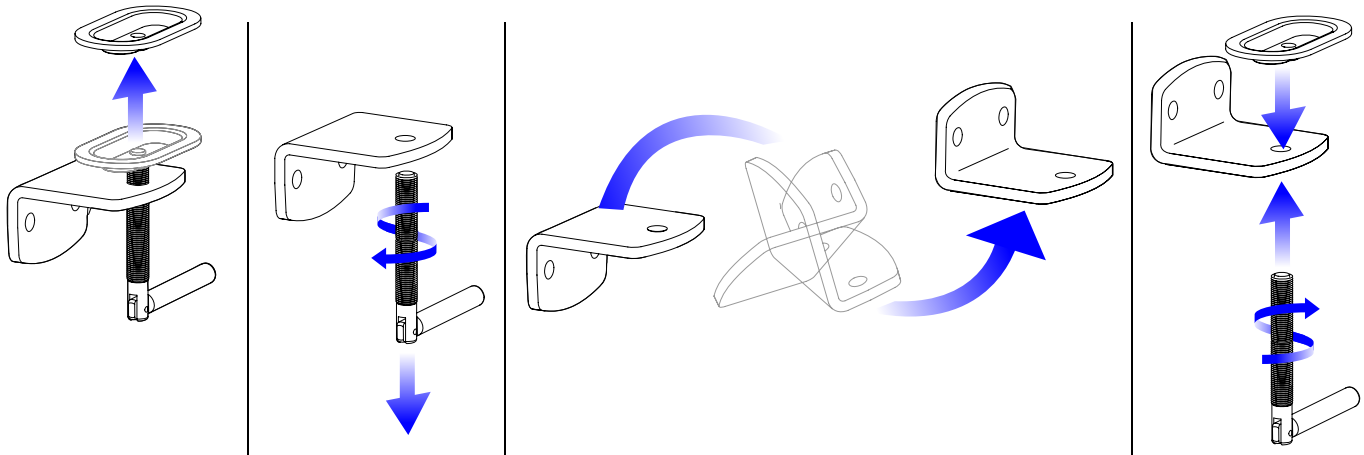
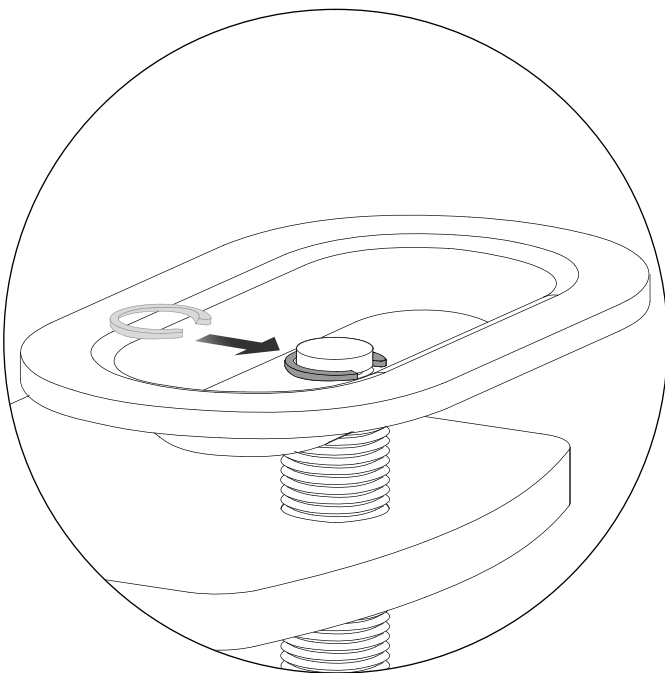
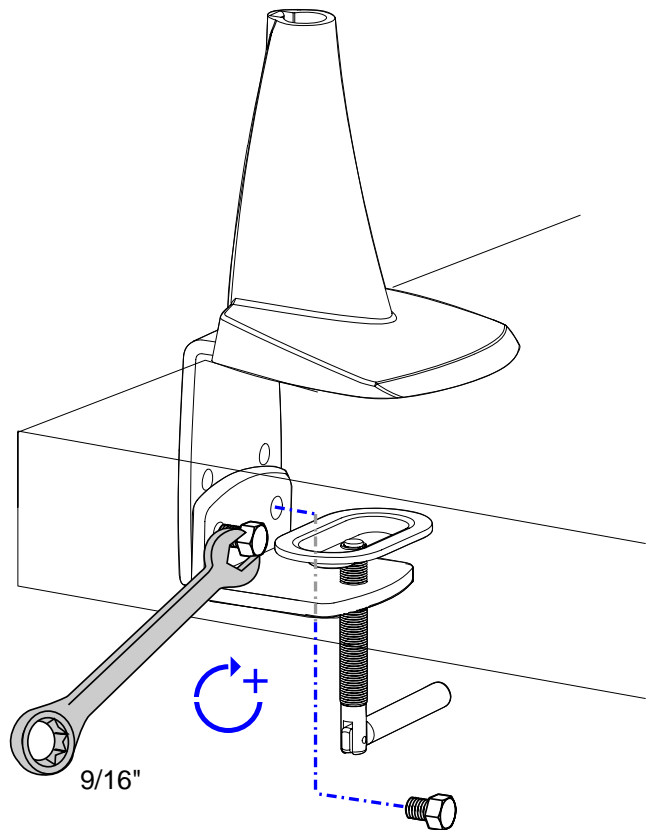


2

Remove "e" ring.



1a

3**Dissassemble bracket assembly, then reassemble as shown.****4****Replace "e" ring.****5****Re-install lower bracket to Desk Clamp assembly.**

Chief Manufacturing Inc.
 12800 Hwy 13 S., Ste. 500
 Savage, MN 55378 USA

Phone: 1-800-582-6480
 Fax: 1-877-894-6918
www.chiefmfg.com