

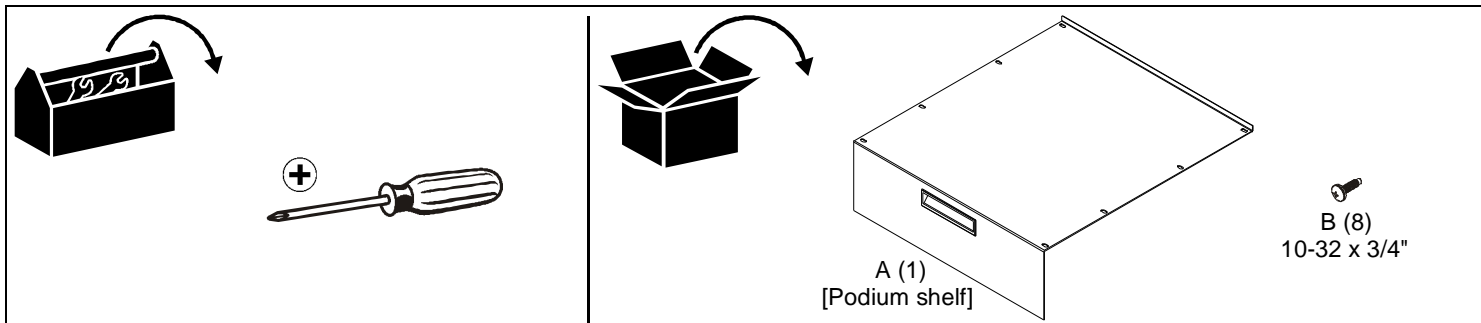
# INSTALLATION INSTRUCTIONS

## ECR-12/16STPS

### ECR-ST Podium Shelf

The ECR-12/16STPS podium shelf is designed for use with Chief® ECR Raxxess racks.

#### TOOLS REQUIRED / PARTS INCLUDED



**⚠ WARNING: FAILURE TO READ, THOROUGHLY UNDERSTAND, AND FOLLOW ALL INSTRUCTIONS CAN RESULT IN SERIOUS PERSONAL INJURY, DAMAGE TO EQUIPMENT, OR VOIDING OF FACTORY WARRANTY!** It is the installer's responsibility to make sure all components are properly assembled and installed using the instructions provided.

#### INSTALLATION INSTRUCTIONS

1. Raise cover of ECR rack and pull rail up at top of ECR rack.
2. Remove four Phillips screws and remove panel from rails. (See Figure 1)

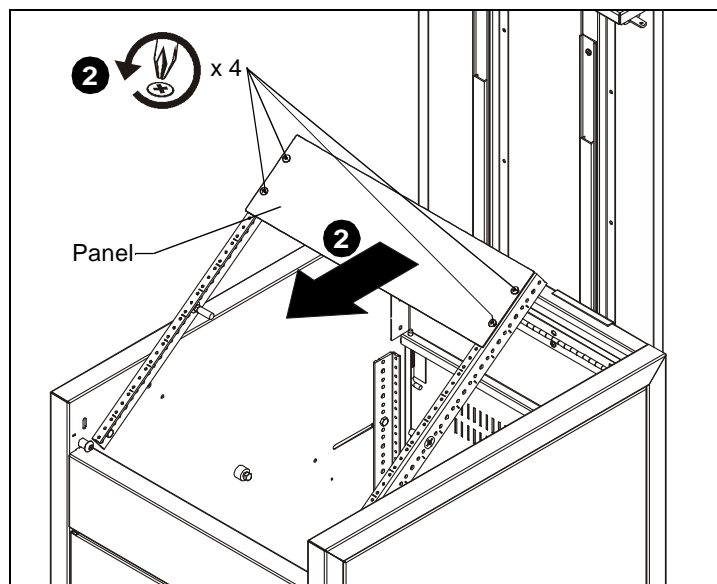


Figure 1

4. Attach podium shelf to ECR using eight 10-32 x 3/4" header point Phillips screws (B). (See Figure 2)

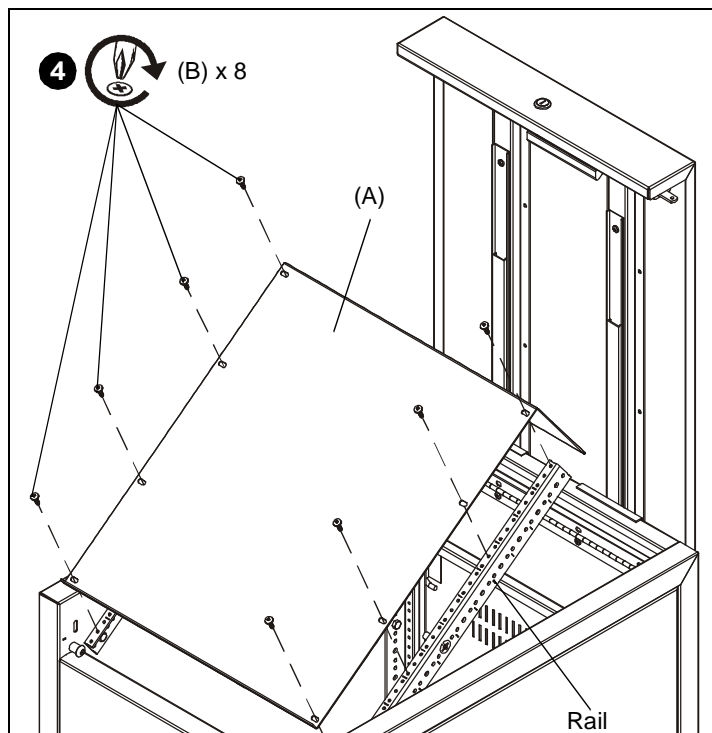


Figure 2

3. Place podium shelf (A) on top of rack with handle at back of ECR rack. (See Figure 2)



Milestone AV Technologies, and its affiliated corporations and subsidiaries (collectively, "Milestone"), intend to make this manual accurate and complete. However, Milestone makes no claim that the information contained herein covers all details, conditions or variations, nor does it provide for every possible contingency in connection with the installation or use of this product. The information contained in this document is subject to change without notice or obligation of any kind. Milestone makes no representation of warranty, expressed or implied, regarding the information contained herein. Milestone assumes no responsibility for accuracy, completeness or sufficiency of the information contained in this document.



Our Mounts. Your Vision.

Chief, a products division of Milestone AV Technologies  
6436 City West Parkway, Eden Prairie, MN 55344

• P: 800.582.6480 / 952.225.6000 • F: 877.894.6918 / 952.894.6918

8800-002926 Rev00  
©2016 Milestone AV Technologies

[www.milestone.com](http://www.milestone.com)

12/16