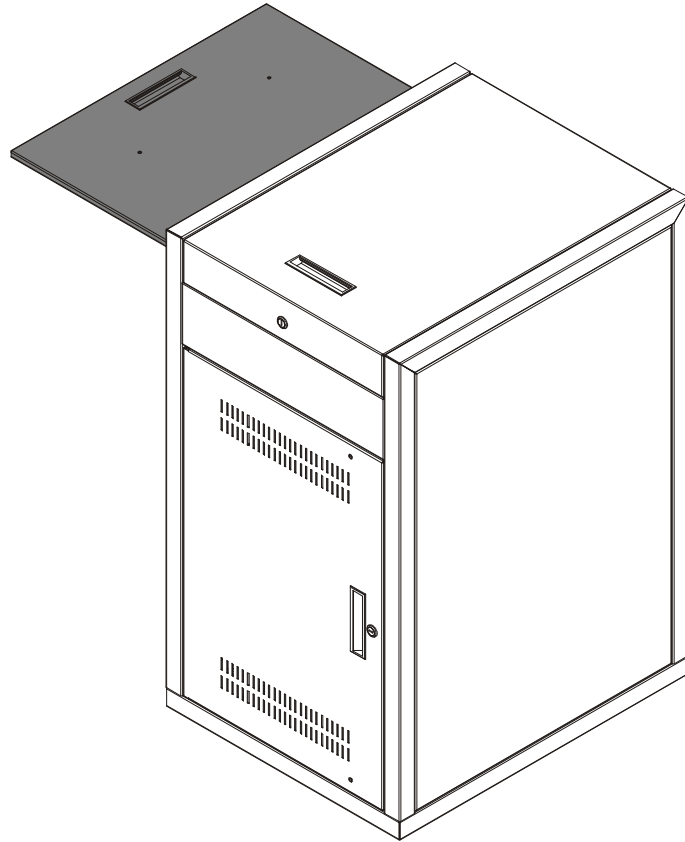

INSTALLATION INSTRUCTIONS



Side Folding Shelf

DISCLAIMER

Milestone AV Technologies and its affiliated corporations and subsidiaries (collectively "Milestone"), intend to make this manual accurate and complete. However, Milestone makes no claim that the information contained herein covers all details, conditions or variations, nor does it provide for every possible contingency in connection with the installation or use of this product. The information contained in this document is subject to change without notice or obligation of any kind. Milestone makes no representation of warranty, expressed or implied, regarding the information contained herein. Milestone assumes no responsibility for accuracy, completeness or sufficiency of the information contained in this document.

Chief® is a registered trademark of Milestone AV Technologies. All rights reserved.

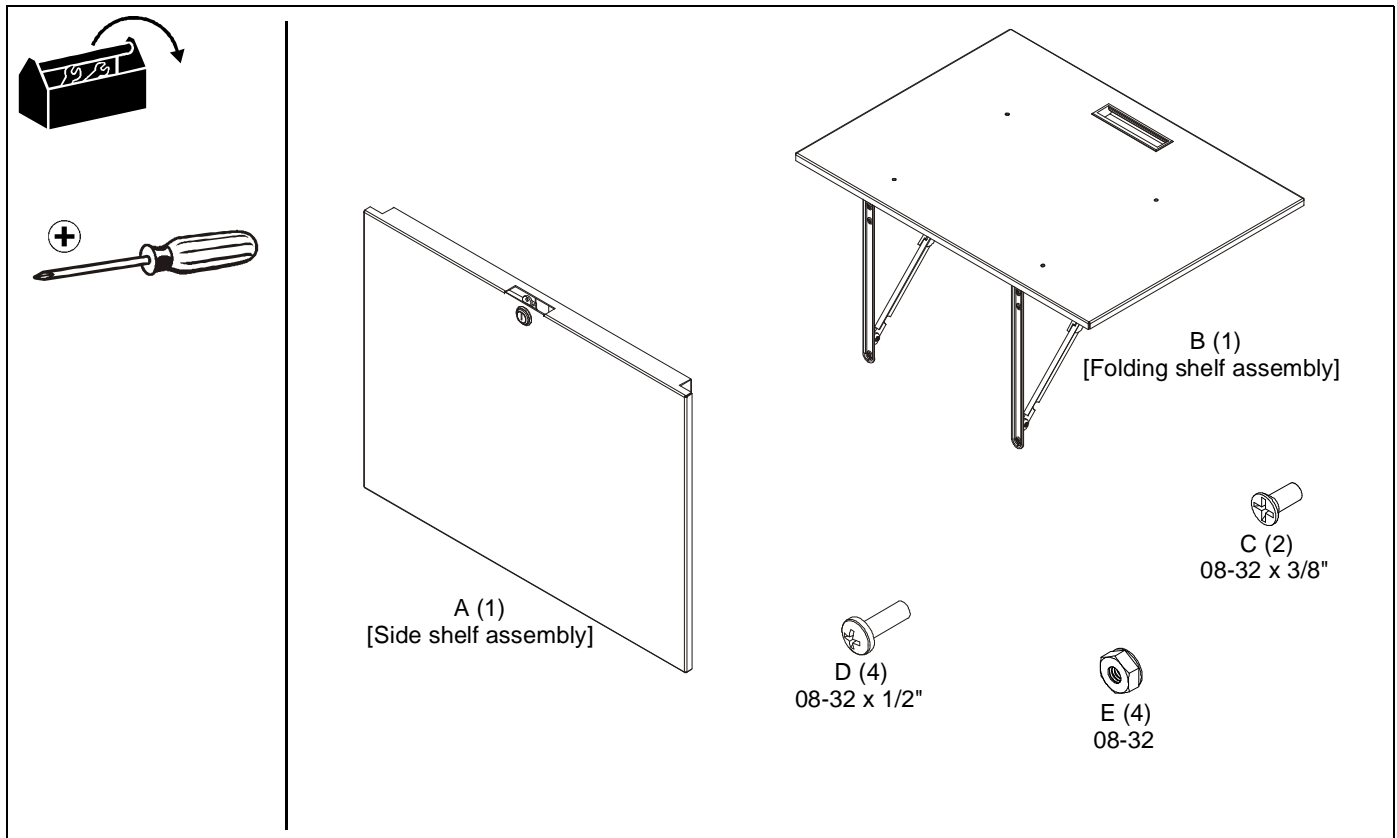
! IMPORTANT WARNINGS AND CAUTIONS!

! WARNING: A WARNING alerts you to the possibility of serious injury or death if you do not follow the instructions.

! CAUTION: A CAUTION alerts you to the possibility of damage or destruction of equipment if you do not follow the corresponding instructions.

! WARNING: Failure to read, thoroughly understand, and follow all instructions can result in serious personal injury, damage to equipment, or voiding of factory warranty! It is the installer's responsibility to make sure all components are properly assembled and installed using the instructions provided.

PARTS / TOOLS REQUIRED FOR INSTALLATION



INSTALLATION

NOTE: The ECR-ST-SIDE shelf is designed for use with Chief Raxxess ECR equipment racks.

1. Open the ECR top and remove two Phillips screws from inside the ECR rack. (See Figure 1)
2. Remove the ECR outer side panel. (See Figure 1)

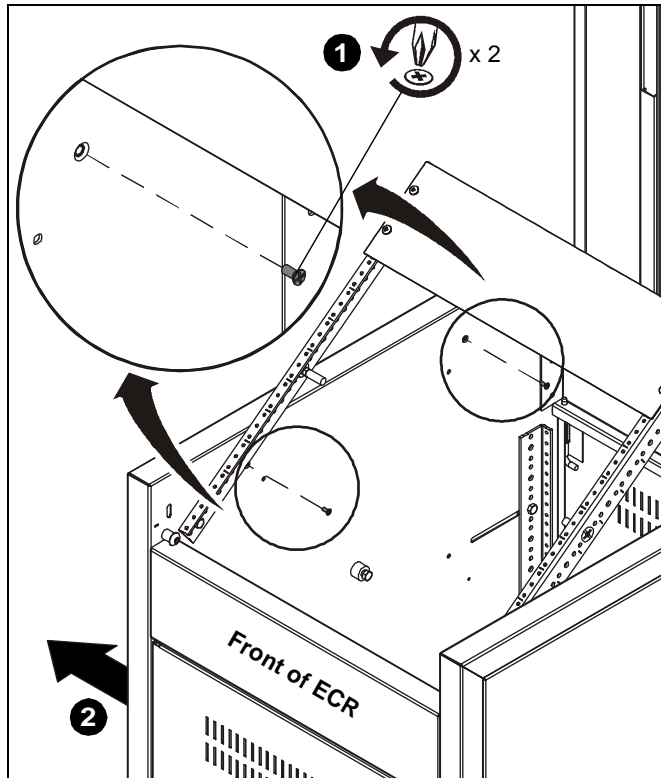


Figure 1

3. Lower side shelf assembly (A) into bottom tabs on ECR equipment rack. (See Figure 2)
4. Attach side shelf assembly using two 08-32 x 3/8" Phillips flat head screws (C) inserted from inside ECR. (See Figure 2)
5. Attach folding shelf assembly (B) above side shelf assembly using four 08-32 x 1/2" Phillips head screws (D) inserted from inside ECR, and four 08-32 nuts (E). (See Figure 3)

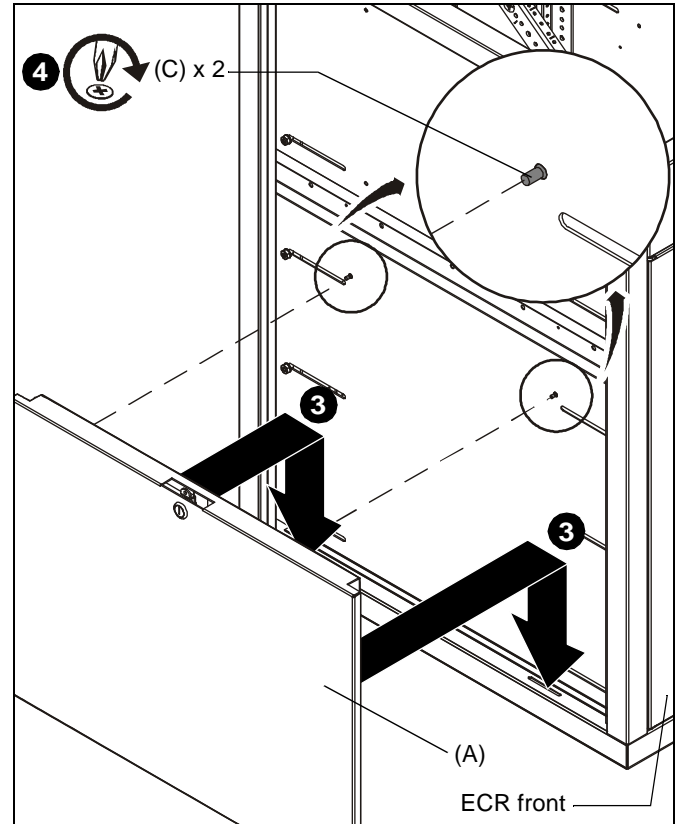


Figure 2

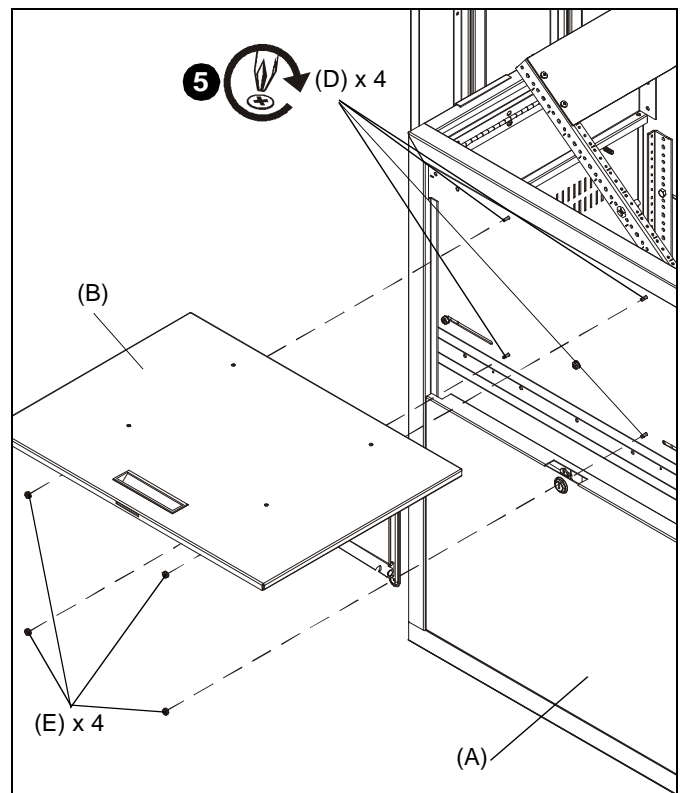


Figure 3



Chief Manufacturing, a products division
of Milestone AV Technologies

8821-002030 Rev02
©2011 Milestone AV Technologies, a
Duchossois Group Company
www.chiefmfg.com
04/11

USA/International	A 8401 Eagle Creek Parkway, Savage, MN 55378 P 800.582.6480 / 952.894.6280 F 877.894.6918 / 952.894.6918
Europe	A Fellenoord 130 5611 ZB EINDHOVEN, The Netherlands P +31 (0)40 2668620 F +31 (0)40 2668615
Asia Pacific	A Office No. 1 on 12/F, Shatin Galleria 18-24 Shan Mei Street Fotan, Shatin, Hong Kong P 852 2145 4099 F 852 2145 4477

