

INSTALLATION INSTRUCTIONS

ELE-140 LOCKING CLAMP

Prior to assembly, unpack carton completely and verify contents shown in Figure 1. If you are missing any of the following components, please contact Customer Service at 1-800-776-5768, extension 2090.

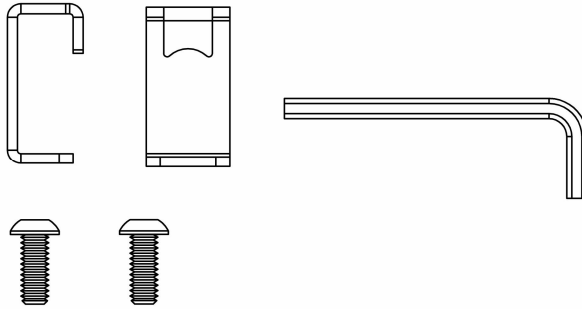


Figure 1

- (2) Locking Clamp
- (1) 5/32" Allen Key
- (2) 1/4-20 x 7/8" Button Head Cap Screw

BEFORE PROCEEDING: Read installation instructions completely.

CAUTION! PLASMA DISPLAYS ARE EXTREMELY FRAGILE.

1. With the aid of another person, lift display up to the mount, aligning the mounting buttons on the display with the teardrop slots in the face plate. See Figure 2. (**NOTE:** Locking clamp shown installed on cart; other mounts similar.)
2. Place locking clamp over mounting button. Insert a 1/4-20 button head cap screw into the bottom of the mount face plate. Thread the cap screw into the bottom of the locking clamp. Tighten the cap screw until the locking clamp is snug on the mounting button. See Figure 3 and Figure 4.
3. Repeat Step 2 to install the second locking clamp.
4. Raise the latching flag on the face plate, securing the display. Make sure latching flag is completely engaged.

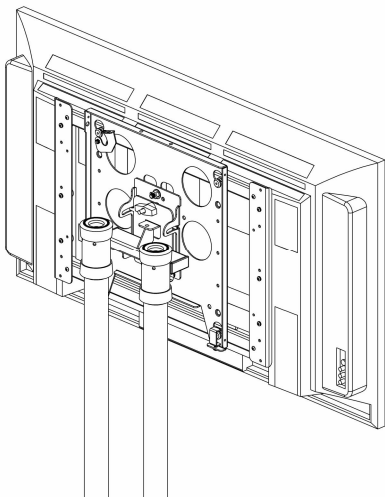


Figure 2

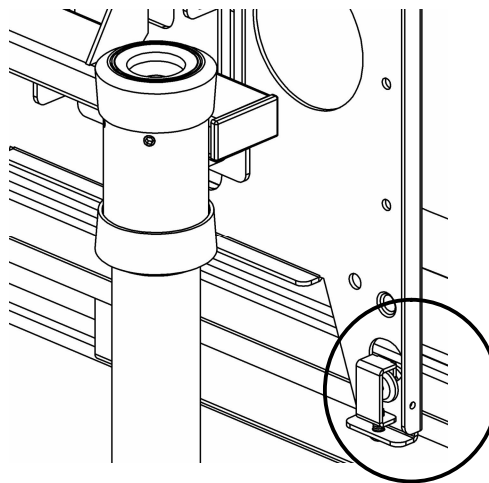


Figure 3

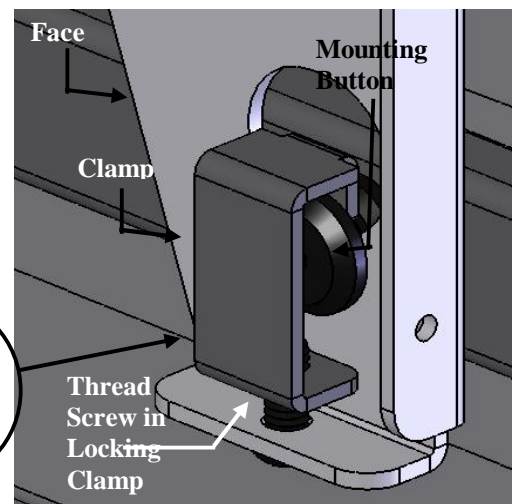


Figure 4