

# INSTALLATION INSTRUCTIONS

## ELE4230 Mounting Bracket

Prior to assembly, unpack carton completely and verify contents. If you are missing any of the following components, please contact Technical Support at 1-800-776-5768.

- (1) PLASMA STATIC BRACKET
- (4) Mounting Buttons
- (4) M8-1.25 x 45mm Button HCS
- (4) Nylon Shoulder Washers .805 od x .324 id
- (4) 10-24 Button Head Cap Screws
- (1) M5 Allen Key
- (4) 20 mm Nylon Spacers
- (1) 1/8" Allen Key
- (4) M8 Flat washers

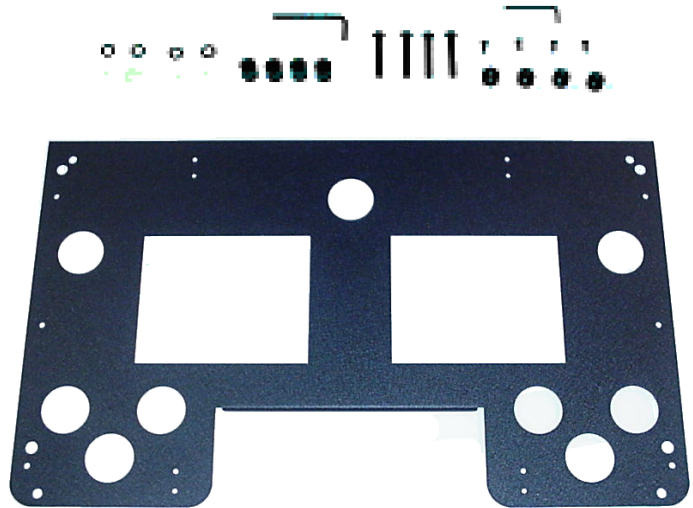


Figure 1

**CAUTION: PLASMA DISPLAYS ARE EXTREMELY FRAGILE!**

### READ INSTALLATION INSTRUCTIONS COMPLETELY BEFORE PROCEEDING

1. Using a 10-24 button head cap screw inserted from the square hole side of bracket, secure mounting button, with chamfered hole of mounting button (larger surface) facing bracket, to bracket (four places). See Figure 2.
2. Place four 20 mm spacers on display over mounting threads in display (Figure 2).
3. Place display bracket on display (see Figure 2) with bent lip towards the display, place shoulder washers into mounting holes and place M8 flat washers on top of shoulder washer (Figure 2).
4. Insert M8 bolt and tighten-ensuring not to over tighten.
5. With the aid of another person, lift display up to the mount, aligning buttons of mounting brackets with slots in the mount.
6. Engage safety catches on the mount to secure display, making sure catches are completely engaged.

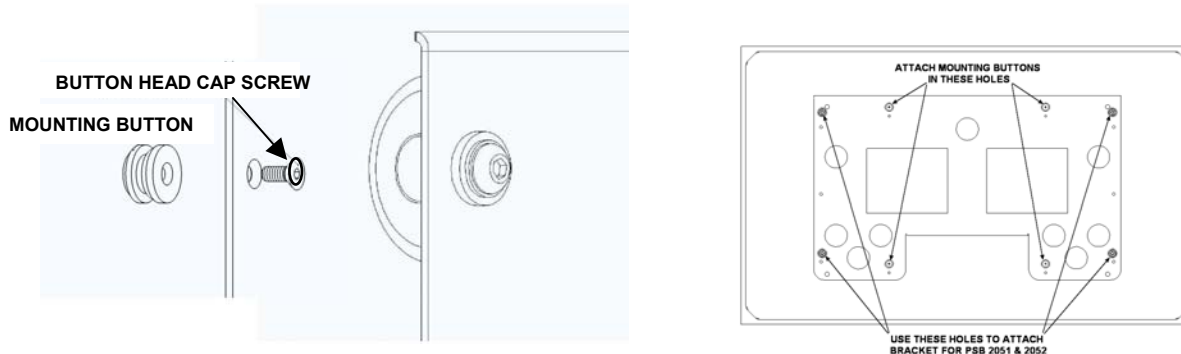


Figure 2