

INSTALLATION INSTRUCTIONS

CEILING PLATE WITH EXTENSION COLUMN

ELE-CP1218

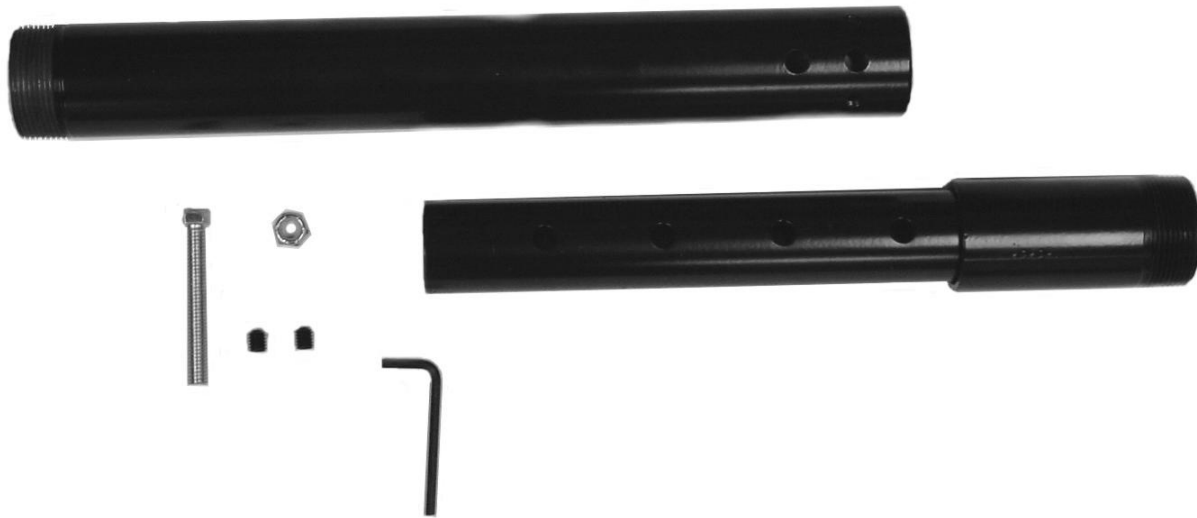


The ELE-1218 ceiling plate is designed for ease of installation with any height of drop ceiling. The extension column provides vertical adjustments in 1” increments. The column tube telescopes and bolts through at the desired height. By using any length of standard NPT 1½” pipe threaded on both ends, you can extend height capabilities to meet your needs.

WARNING: IMPROPER INSTALLATION MAY RESULT IN SERIOUS PERSONAL INJURY!

All components must be securely fastened to a structural member capable of supporting five times the combined weight of all components plus the equipment being mounted. If it cannot support this weight, the structure **MUST** be reinforced.

The maximum weight to be installed on the column is 500 pounds (226.8 Kg).



Unpack and check contents:

CEILING PLATE PARTS		EXTENSION PIPE PARTS	
(1)	6” Flat Ceiling Plate ELE-115	(1)	Extension Pipe
(1)	#10-24 Socket Set Screw	(1)	3/8-16 Nylock Nut
(1)	3/32” Hex Wrench	(1)	Adjuster Tube
		(2)	5/16” Set Screws
		(1)	3/8-16 x 2½” Bolt
		(1)	5/32” Allen Wrench

CEILING PLATE INSTALLATION INSTRUCTIONS

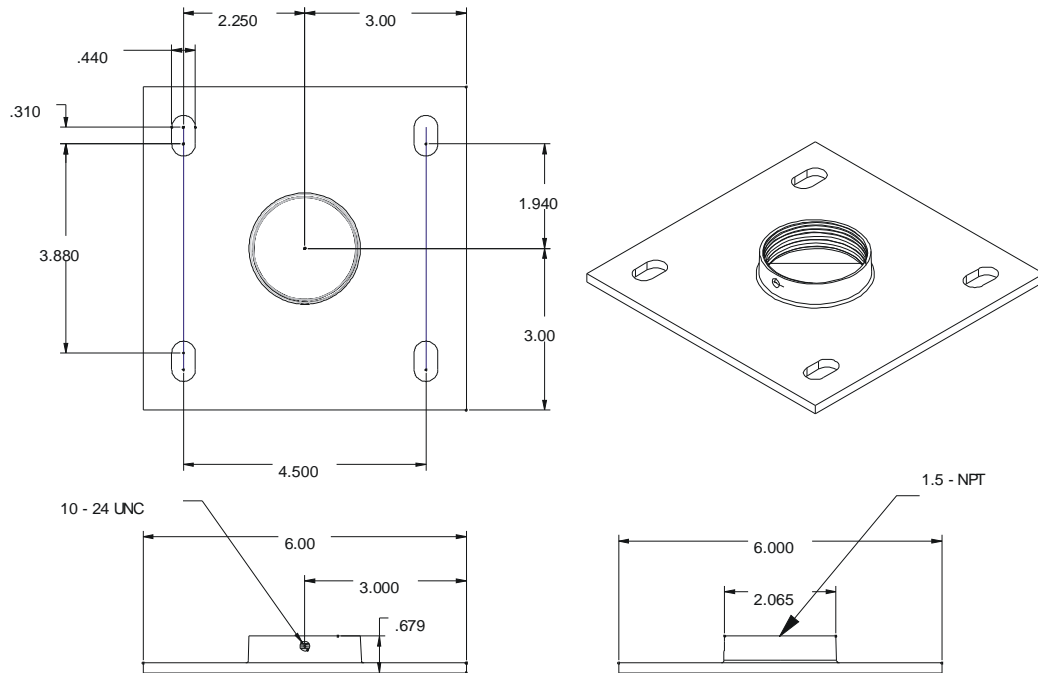
1. Securely install the ceiling plate to the ceiling joists. **(SEE WARNING ABOVE)**
Bolt hole spacing is shown in the Ceiling Plate Dimensions drawing below.
2. Thread your standard NPT 1½” pipe into coupler, tighten securely.
3. Install and securely tighten the #10-24 socket set screw.
4. Follow the Ceiling Mount Instructions for mating components or mounts.



8805-000177

www.electrograph.com

04/06



CEILING PLATE DIMENSIONS

EXTENSION COLUMN INSTALLATION INSTRUCTIONS

1. Slide adjuster tube into extension pipe to desired length, matching holes in adjuster tube with extension pipe.
2. Secure adjuster tube to extension pipe using 3/8-16 x 2½” bolt and 3/8-16 Nylock nut.
3. Install both 5/16” set screws in holes of extension tube on each side of 3/8-16 x 2½” bolt.

WARNING! ALWAYS THREAD EXTENSION PIPE AND ADJUSTER TUBE AT LEAST 6 OR 7 FULL TURNS INTO MATING SURFACES.