

INSTALLATION INSTRUCTIONS

ELEFUJ42-PRO(L) Mounting Bracket

Prior to assembly, unpack carton completely and verify contents. If you are missing any of the following components, please contact Technical Support at 1-800-776-5768.

- (1) PLASMA STATIC BRACKET
- (4) MOUNTING BUTTON, TAPPED 10-24
- (4) M8 X 1.25 X 40MM BHCS
- (1) M5 ALLEN KEY
- (4) 18MM OD X 8.3MM ID X 20MM NYLON SPACER
- (4) 10-24 X .5" FLAT SOCKET HEAD CAP SCREW
- (1) 1/8" ALLEN KEY

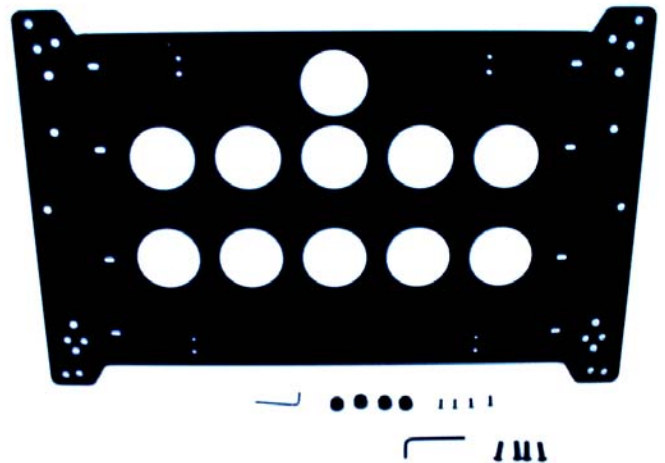


Figure 1

CAUTION: PLASMA DISPLAYS ARE EXTREMELY FRAGILE!

**READ INSTALLATION INSTRUCTIONS COMPLETELY
BEFORE PROCEEDING**

1. Using a 10-24 flat head cap screw inserted from back side of bracket, secure mounting button, with chamfered hole of mounting button (larger surface) facing bracket, to bracket (four places) (See Figure 2 & Figure 3).

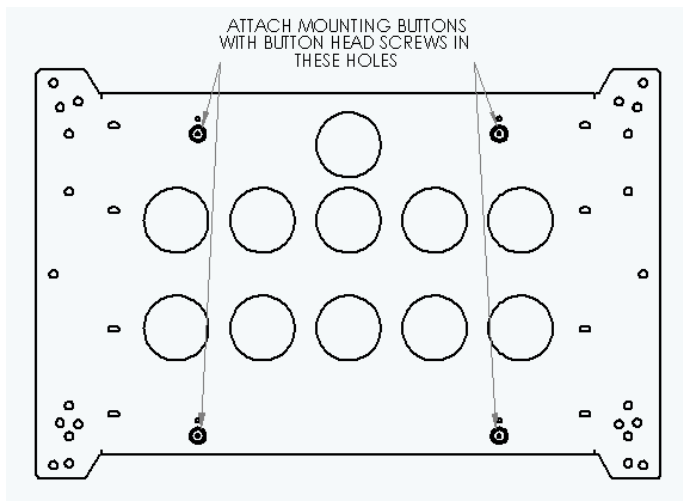


Figure 2

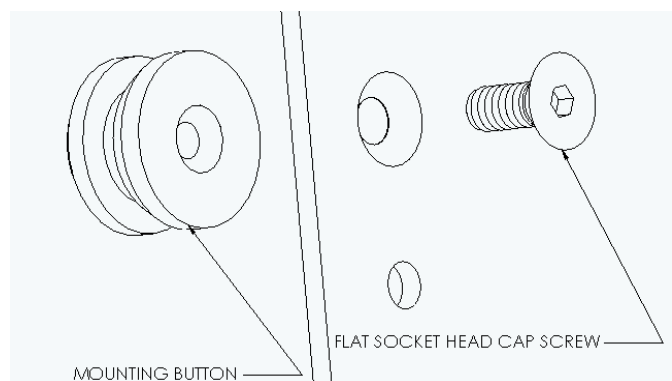


Figure 3

2. Place nylon spacers on mounting holes and align hole pattern on brackets with pattern on back of Plasma Display (see Figure 4 & Figure 5). Attach bracket utilizing the M8 button head screws.
3. With the aid of another person, lift Plasma Display up to the Mount, aligning buttons of mounting brackets with slots in the mount.
4. Lower safety catch on the mount to secure Plasma Display, making sure latch is completely engaged.

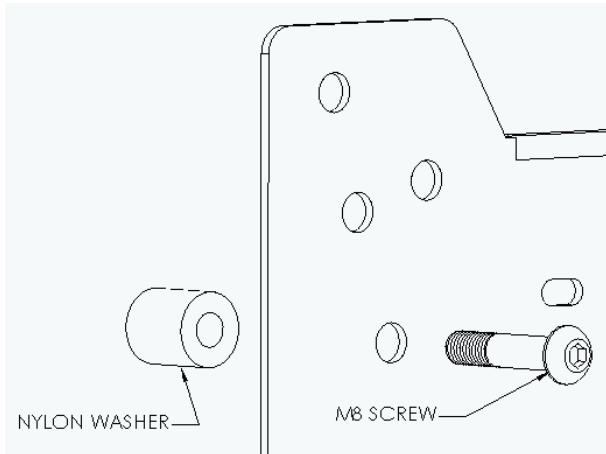


Figure 4

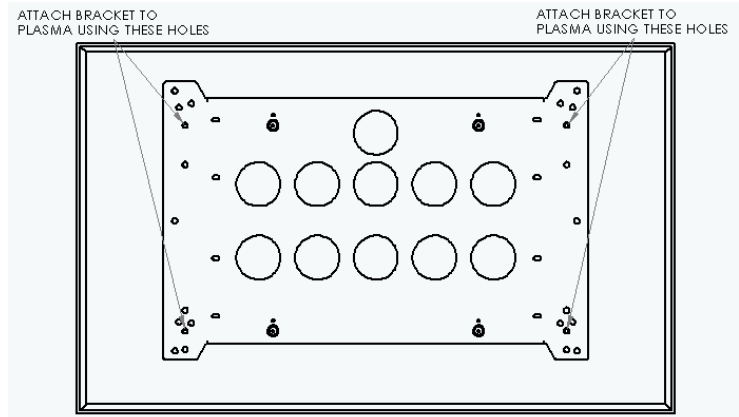


Figure 5