

INSTALLATION INSTRUCTIONS

ELEFUJ42-SM Static Wall Mount

Prior to assembly, unpack carton completely and verify contents. If you are missing any of the following components, please contact Technical Support at 1-800-776-5768.

- (1) PLASMA STATIC WALL MOUNT
- (2) LATCH, SAFETY
- (2) 10-24 X .5 FH UNDERCUT SCREW
- (2) WASHER, NYLON
- (2) NUT, NYLOCK, 10-24
- (4) M8 X 25MM BUTTON HEAD CAP SCREWS
- (4) MOUNTING BUTTONS-BLACK
- (1) WRENCH, ALLEN, M5

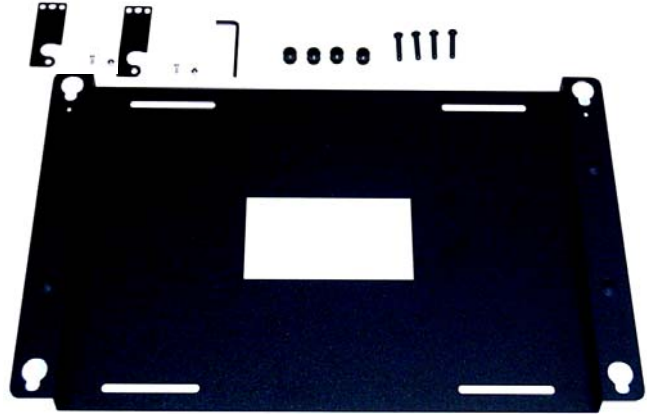


Figure 1

CAUTION: PLASMA DISPLAYS ARE EXTREMELY FRAGILE!

READ INSTALLATION INSTRUCTIONS COMPLETELY BEFORE PROCEEDING

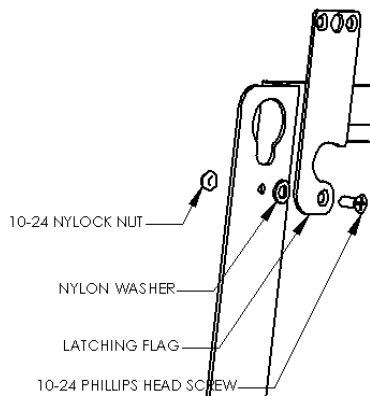


Figure 2

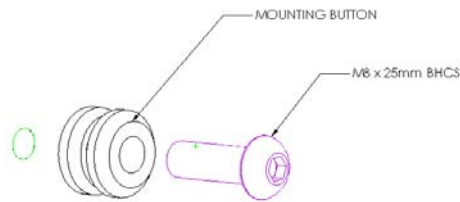


Figure 3

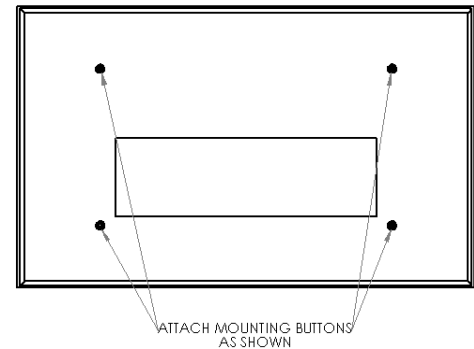


Figure 4

1. Attach latching flags to mount using the 10-24 Phillips head screws, Nylon washers, and Nylock nuts (see Figure 2). Tighten until friction will hold the flags in place.
2. Attach mounting buttons to plasma using four M8 x 25 cap screws provided (see Figure 3 & Figure 4).

WARNING

ALL COMPONENTS MUST BE SECURELY FASTENED TO A STRUCTURAL MEMBER CAPABLE OF SUPPORTING 4 TIMES THE COMBINED WEIGHT OF ALL COMPONENTS PLUS THE EQUIPMENT BEING MOUNTED. IF IT CANNOT SUPPORT THIS WEIGHT, THE STRUCTURE MUST BE REINFORCED.
THE MAXIMUM WEIGHT TO BE INSTALLED ON THE MOUNT IS 150 POUNDS (68.04 KG).

3. Securely anchor the plasma static mount to wall studs or supporting framework (see WARNING).
4. Make sure the flag is lowered to the side before attempting to place the plasma on the mount.
5. With the aid of another person, lift the plasma display up to the mount, align the mounting buttons on the plasma with the teardrop slots in the mount, and set the plasma into place (see Figure 5).

CAUTION If the latches will not travel to the full upright position, remove and reseat the display.

6. Position (raise) the flags to secure the plasma.

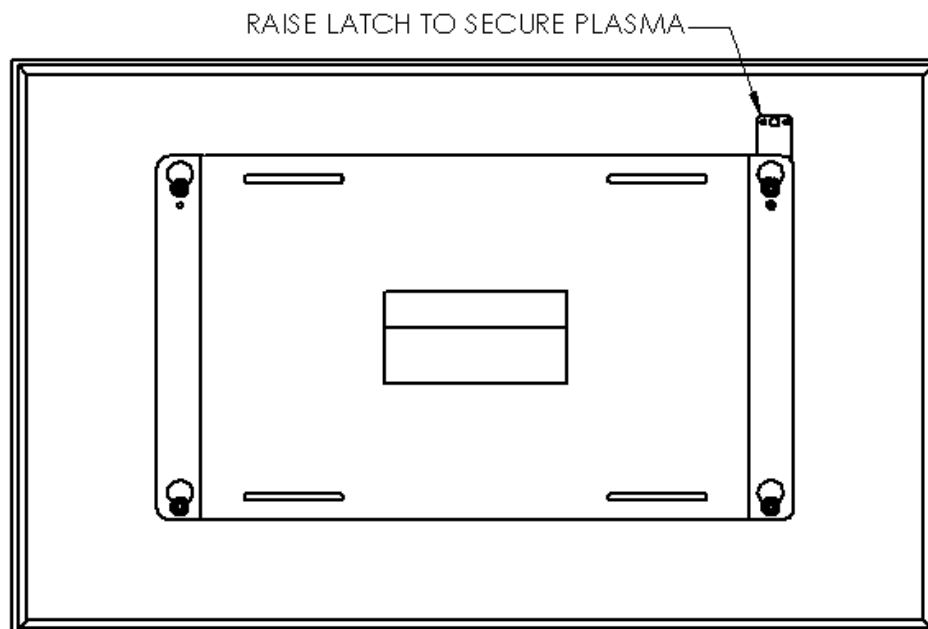


Figure 5