

INSTALLATION INSTRUCTIONS

ELEFUJ50-SM Static Wall Mount

Prior to assembly, unpack carton completely and verify contents. If you are missing any of the following components, please contact Technical Support at 1-800-776-5768.

- (1) PLASMA STATIC WALL MOUNT
- (2) LATCH, SAFETY
- (2) 10-24 X .5 FH UNDERCUT SCREW
- (2) WASHER, NYLON
- (2) NUT, NYLOCK, 10-24
- (4) M8 X 40MM BUTTON HEAD CAP SCREWS
- (4) MOUNTING BUTTONS-NYLON
- (1) WRENCH, ALLEN, M5

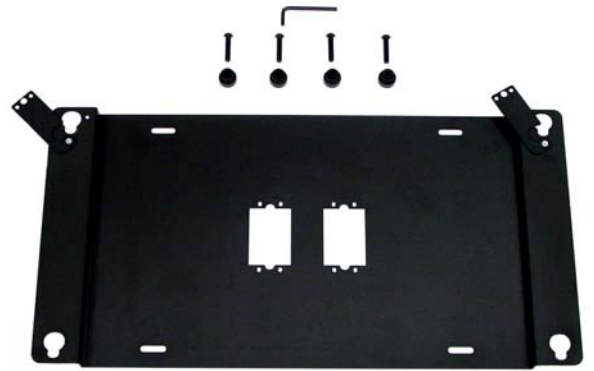


Figure 1

CAUTION: PLASMA DISPLAYS ARE EXTREMELY FRAGILE!

READ INSTALLATION INSTRUCTIONS COMPLETELY BEFORE PROCEEDING

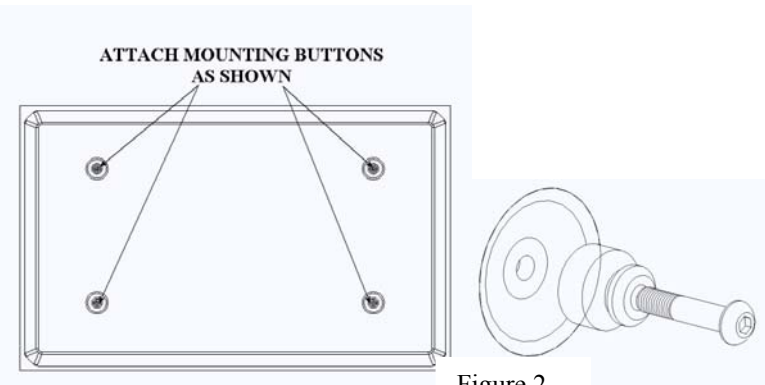


Figure 2

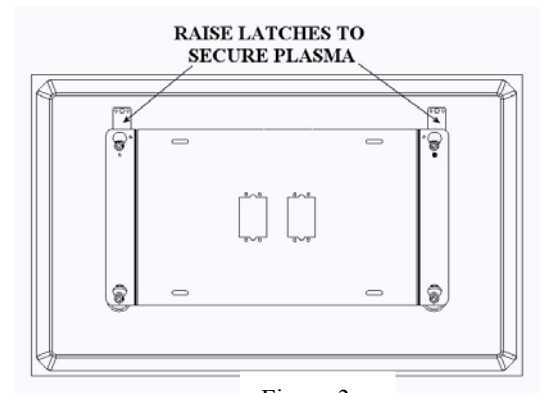


Figure 3

1. Attach mounting buttons to plasma using four M8 x 40 cap screws provided (see figure 2).
2. Using two 10-24 x .5 FH undercut screws, Nylon washers between safety latch and mount, and 10-24 Nylock nuts, install the safety latches loose enough to move but tight enough to remain in place when raised.
3. 2. Securely anchor the static mount to the wall using wall studs or supporting framework capable of supporting 4 times the weight of the display and the mount.
4. Make sure both latches are lowered to the side before attempting to place the display on the mount.
5. With the aid of another person, lift the display up to the mount, align the mounting buttons on the display with the teardrop slots in the mount, and set the display into place (see figure 3).

CAUTION If the latches will not travel to the full upright position, remove and reseat the display.

6. While supporting the display, raise both latches to secure the display.