

INSTALLATION INSTRUCTIONS

ELEFUJ50XCA-PRO(L) Mounting Bracket

Prior to assembly, unpack carton completely and verify contents. If you are missing any of the following components, please contact Technical Support at 1-800-776-5768.

- (1) PLASMA STATIC BRACKET
- (4) MOUNTING BUTTONS, 10-24 TAPPED
- (4) M8-.125 X 35MM BHCS
- (1) M5 ALLEN KEY
- (4) .500" x .316" x .500" NYLON SPACERS
- (4) 10-24 BUTTON HEAD CAP SCREWS
- (1) 1/8" ALLEN KEY
- (4) M8-1.25 X 55MM HEX HEAD CAP SCREW
- (4) 18MM X 8.3MM X 20MM BLACK NYLON SPACER

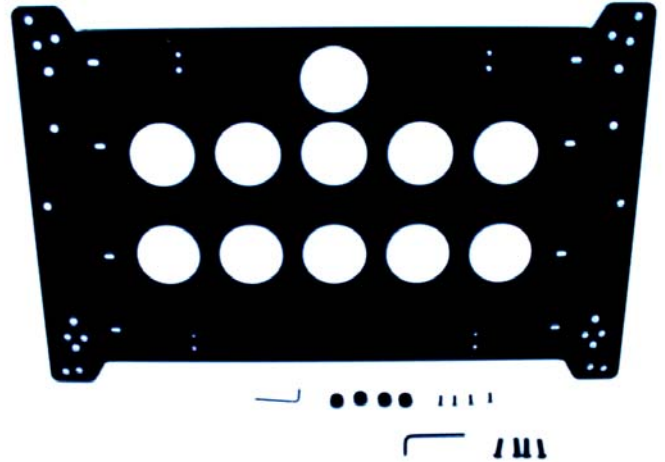


Figure 1

CAUTION: PLASMA DISPLAYS ARE EXTREMELY FRAGILE!

**READ INSTALLATION INSTRUCTIONS COMPLETELY
BEFORE PROCEEDING**

1. Using a 10-24 button head cap screw inserted from chamfered hole side of bracket, secure mounting button, with chamfered hole of mounting button (larger surface) facing bracket, to bracket (four places). See Figure 2 and Figure 3.

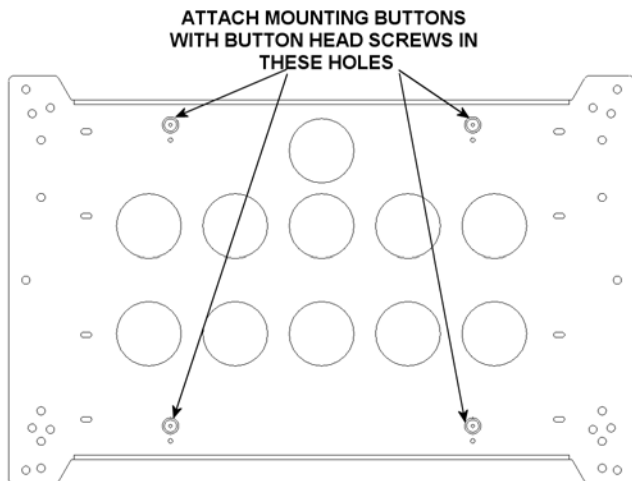


Figure 2

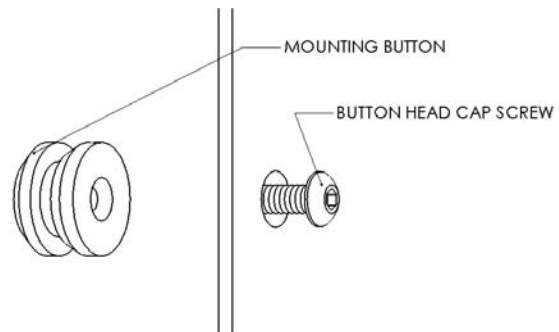


Figure 3

2. Place nylon spacers on mounting holes and align hole pattern on brackets with pattern on back of Plasma Display (see Figure 4 & 5). Attach bracket utilizing the M8 button head screws.

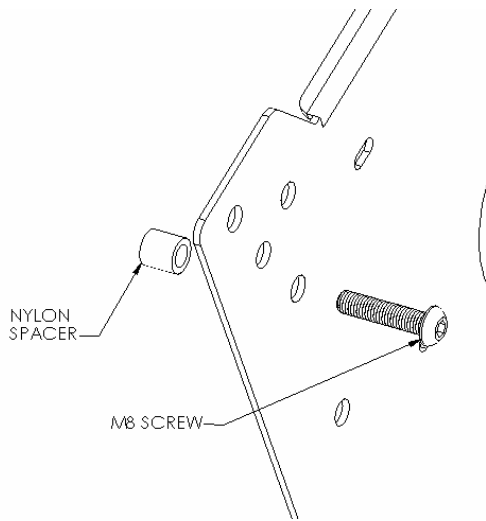


Figure 4

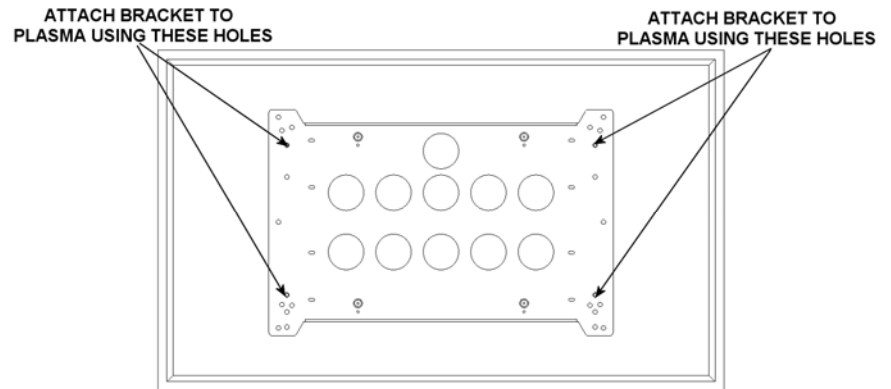


Figure 5

3. With the aid of another person, lift display up to the mount, aligning buttons of mounting brackets with slots in the mount.
4. Engage safety latches on the mount to secure display; making sure latches are completely engaged.