

# INSTALLATION INSTRUCTIONS

## ELEFUJ50XCA-SM Static Wall Mount

Prior to assembly, unpack carton completely and verify contents. If you are missing any of the following components, please contact Technical Support at 1-800-776-5768.

- (1) PLASMA STATIC WALL MOUNT
- (2) LATCH, SAFETY
- (2) 10-24 X .5 FH UNDERCUT SCREW
- (2) WASHER, NYLON
- (2) NUT, NYLOCK, 10-24
- (4) M8 X 1.25 X 35MM BUTTON HEAD CAP SCREWS
- (4) MOUNTING BUTTONS-BLACK UNTHREADED
- (1) WRENCH, ALLEN, M5



Figure 1

**CAUTION: PLASMA DISPLAYS ARE EXTREMELY FRAGILE!**

**READ INSTALLATION INSTRUCTIONS COMPLETELY BEFORE PROCEEDING**

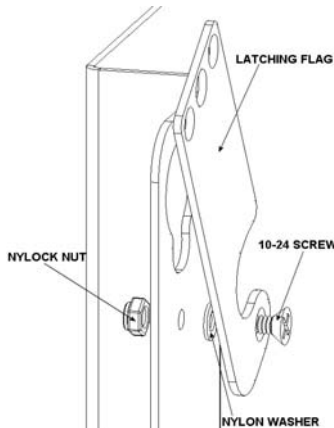


Figure 2

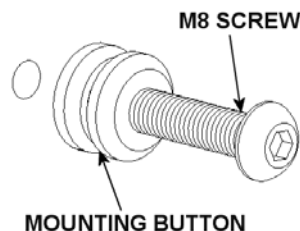


Figure 3

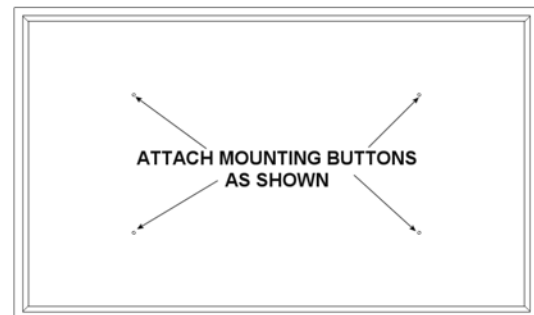


Figure 4

1. Attach latching flag to bracket (See Figure 2).
2. Place mounting buttons on mounting holes and attach using M8-1.25 x 35 mm BHCS (see Figure 3 & Figure 4).
3. Mount plasma static mount onto the wall using wall studs or supporting framework. The mount, when anchored in place, must be capable of supporting 4 times the weight of the plasma and mount.

4. With the aid of another person, lift plasma display up to the Chief mount, aligning mounting buttons with the teardrop slots and setting into place.
5. Raise safety latch to secure plasma in place (see Figure 5).

**RAISE LATCHING FLAG TO SECURE UNIT**

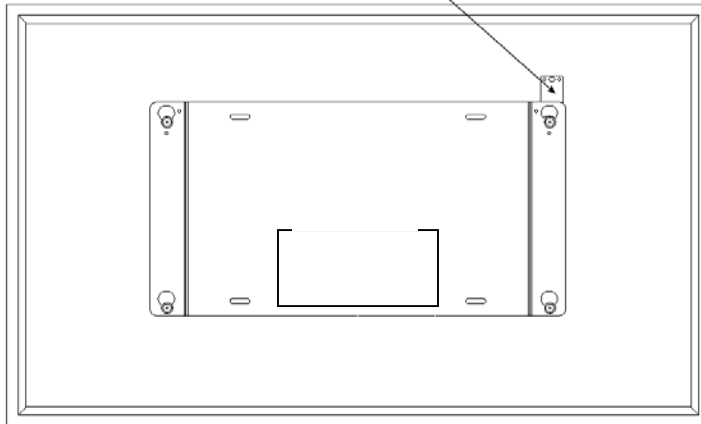


Figure 5