

INSTALLATION INSTRUCTIONS

ELEFUJ-PRO(L) Mounting Bracket

Prior to assembly, unpack carton completely and verify contents. If you are missing any of the following components, please contact Technical Support at 1-800-776-5768.

- (1) PLASMA STATIC BRACKET (Left)
- (1) PLASMA STATIC BRACKET (Right)
- (4) MOUNTING BUTTONS
- (4) M5-.8 X 12MM BHCS
- (1) M3 ALLEN KEY
- (4) 10-24 FLAT HEAD CAP SCREWS
- (1) 1/8" ALLEN KEY

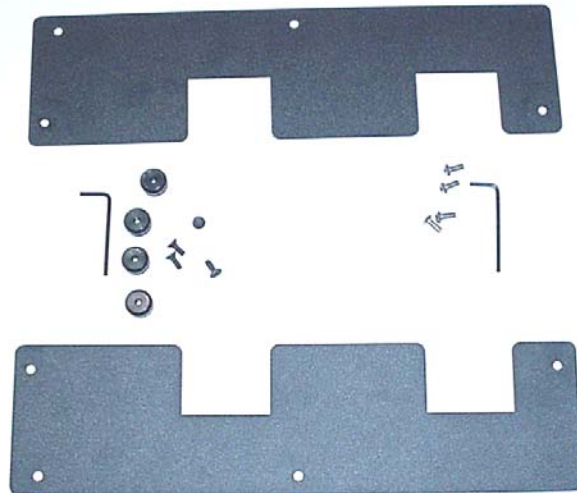


Figure 1

CAUTION: PLASMA DISPLAYS ARE EXTREMELY FRAGILE!

READ INSTALLATION INSTRUCTIONS COMPLETELY BEFORE PROCEEDING

1. Using a 10-24 flat head cap screw inserted from chamfered hole side of bracket, secure mounting button, with chamfered hole of mounting button (larger surface) facing bracket, to bracket (four places). See Figure 2.
2. Align hole pattern on brackets with pattern on back of display utilizing hole pattern in bracket that best centers the mounting brackets, depending upon display model (see Figure 2).
3. With the aid of another person, lift display up to the mount, aligning buttons of mounting brackets with slots in the mount.
4. Engage safety latches on the mount to secure display, making sure catches are completely engaged.

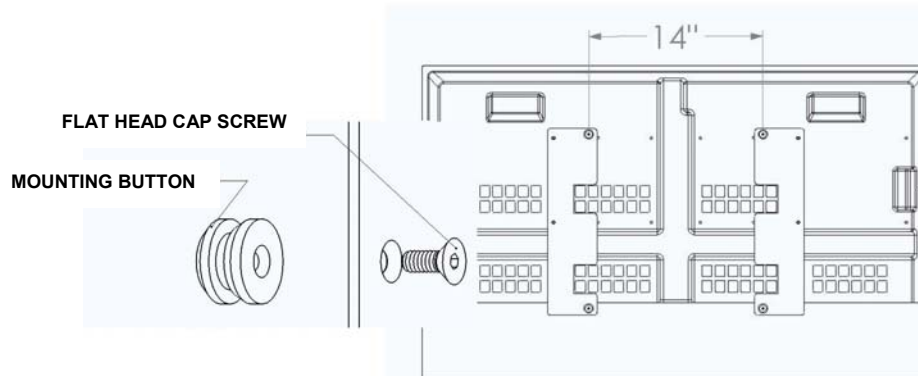


Figure 2