

---

# INSTALLATION INSTRUCTIONS

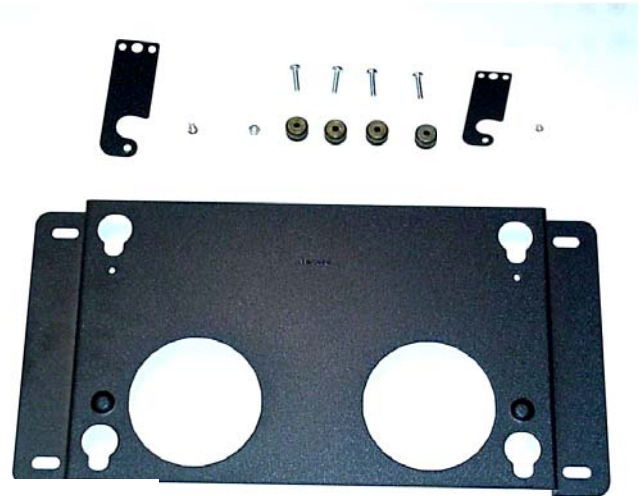
---

## ELEFUJ-SML Static Wall Mount With Lateral Shift

Prior to assembly, unpack carton completely and verify contents. If you are missing any of the following components, please contact Technical Support at 1-800-776-5768.

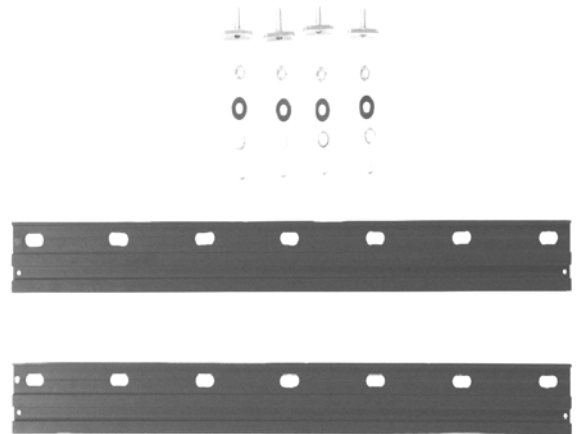
### Static Wall Mount Components

- (1) PLASMA STATIC WALL MOUNT
- (2) LATCH, SAFETY
- (2) 10-24 X .5 FH UNDERCUT SCREW
- (2) WASHER, NYLON
- (2) NUT, NYLOCK, 10-24
- (4) M5 X 20MM HEX HEAD CAP SCREWS
- (4) MOUNTING BUTTONS-GREEN



### Lateral Shift Components

- (2) LATERAL SHIFT EXTRUSIONS
- (4) STUDS, 5/16-18 Threaded
- (4) NUTS, T-slot 5/16-18
- (4) WASHERS, Lock 5/16
- (4) WASHERS, Flat 5/16
- (4) SCREWS, Panhead Self Tapping  
8 x .25
- (4) NUTS, Hex 5/16-18



Lateral Shift  
Components

**WARNING: IMPROPER INSTALLATION MAY RESULT IN SERIOUS PERSONAL INJURY!**

**CAUTION: PLASMA DISPLAYS ARE EXTREMELY FRAGILE!**

# INSTALLATION INSTRUCTIONS

## READ COMPLETELY BEFORE PROCEEDING

### Assemble Lateral Shift

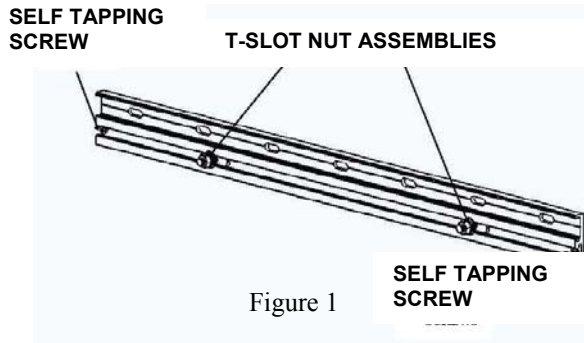


Figure 1

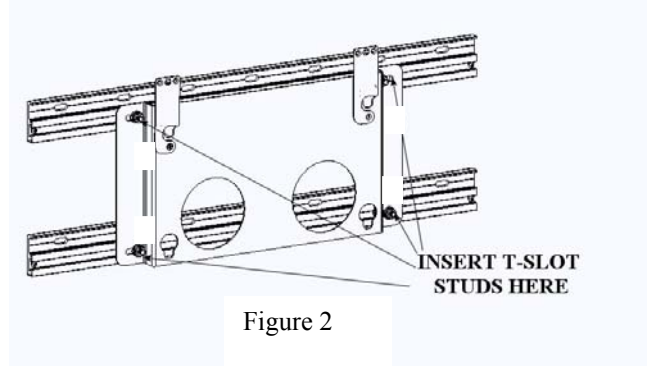


Figure 2

1. Install the four threaded studs into the four T-slot nuts.
2. Insert two T-slot nut assemblies into each of the lateral shift extrusions (Figure 1).
3. Insert one self-tapping screw into each end of the extrusions to trap T-slot nut assemblies in the tracks (Figure 1).
4. Connect lateral shift extrusions to the plasma static wall mount by inserting the T-slot studs into holes and secure using four flat washers, four lock washers, and four hex nuts (Figure 2).

### Mount Lateral Shift

1. Locate and mark stud locations at desired mounting place.
2. Select four mounting holes in the lateral shift extrusions that will align with the stud pattern and mark at least two mounting holes per extrusion at the stud locations.

**WARNING: Your mounting structure must be capable of supporting four times the combined weight of the plasma and the mount.**

3. Mount the extrusions using a minimum of four anchors.

### Mount Plasma

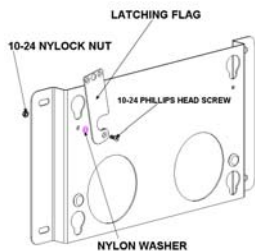


Figure 3

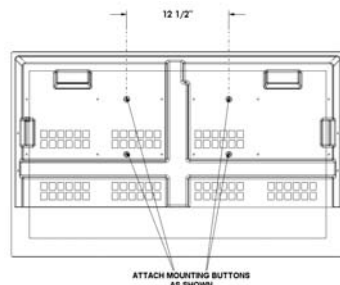


Figure 4

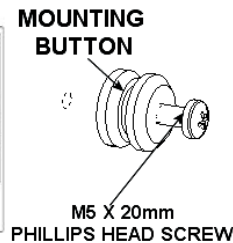


Figure 5

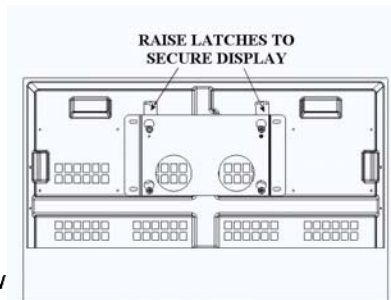


Figure 6

1. Using 10-24 Phillips head screws, nylon washers, and Nylock nuts (See Figure 3), attach latching flags to mount. Tighten until friction will hold the flags in place.
2. Attach mounting buttons to plasma using four M5 x 20 cap screws provided (see figure 4 and Figure 5).
3. Securely anchor the static mount to the wall using wall studs or supporting framework capable of supporting 4 times the weight of the display and the mount.
4. Make sure both latches are lowered to the side before attempting to place the display on the mount.
5. With the aid of another person, lift the display up to the mount, align the mounting buttons on the display with the teardrop slots in the mount, and set the display into place (see figure 6).