

INSTALLATION INSTRUCTIONS

ELEHIT50-PRO(L) Mounting Bracket

Prior to assembly, unpack carton completely and verify contents. If you are missing any of the following components, please contact Technical Support at 1-800-776-5768.

- (1) PLASMA STATIC BRACKET (Left)
- (1) PLASMA STATIC BRACKET (Right)
- (4) MOUNTING BUTTONS
- (6) M8 X 20 MM BHCS
- (1) 5MM ALLEN KEY
- (4) 10-24 FLAT HEAD CAP SCREWS
- (1) 1/8" ALLEN KEY

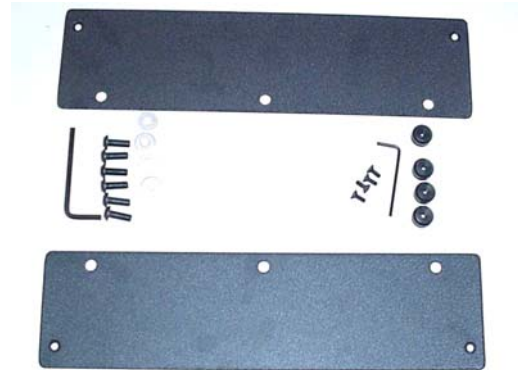


Figure 1

CAUTION: PLASMA DISPLAYS ARE EXTREMELY FRAGILE!

**READ INSTALLATION INSTRUCTIONS COMPLETELY
BEFORE PROCEEDING**

1. Using a 10-24 flat head cap screw inserted from chamfered hole side of bracket, secure mounting button, with chamfered hole of mounting button (larger surface) facing bracket, to bracket (four places). See Figure 2.
2. Align hole pattern on brackets with pattern on back of Plasma Display utilizing hole pattern in bracket that best centers the mounting brackets-depending upon plasma model (see Figure 2).
3. With the aid of another person, lift plasma up to the mount, aligning buttons of mounting brackets with slots in the mount.
4. Engage safety latches on the mount to secure plasma, making sure catches are completely engaged.

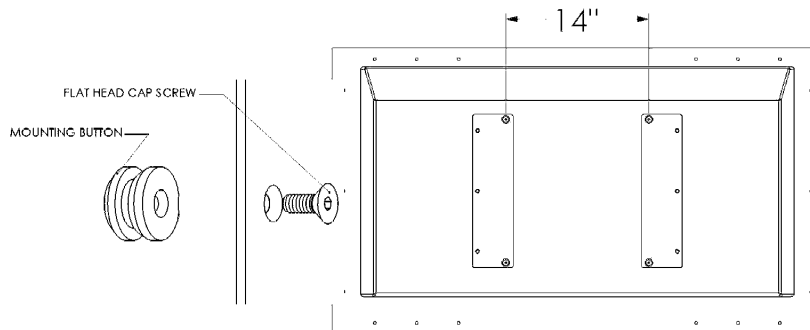


Figure 2