

INSTALLATION INSTRUCTIONS

ELEHIT-SML Static Wall Mount With Lateral Shift

Prior to assembly, unpack carton completely and verify contents. If you are missing any of the following components, please contact Technical Support at 1-800-776-5768.

Static Wall Mount Components

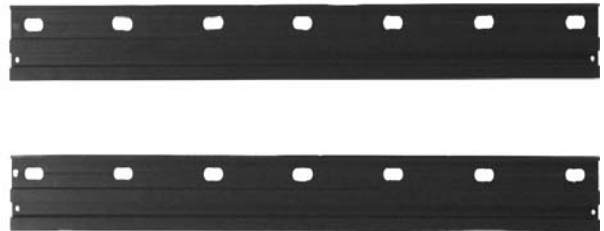
- (1) PLASMA STATIC WALL MOUNT
- (2) SCREW, 10-24 X .5 FH UNDERCUT
- (2) FLAG, LATCHING
- (2) NUT, NYLOCK, 10-24
- (2) WASHER, NYLON
- (6) BUTTON, MOUNTING, SILVER
- (6) SCREW, PHILLIPS HEAD CAP, M6 X 25MM



Static Wall Mount Components

Lateral Shifts Components

- (2) LATERAL SHIFT EXTRUSIONS
- (4) STUDS, 5/16-18 THREADED
- (4) NUTS, T-SLOT 5/16-18
- (4) WASHERS, LOCK 5/16
- (4) WASHERS, FLAT 5/16
- (4) SCREWS, PANHEAD SELF-TAPPING
- (4) NUTS, HEX 5/16-18



Lateral Shift Components

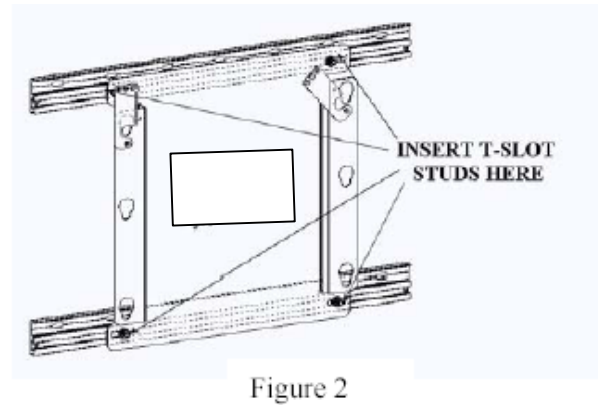
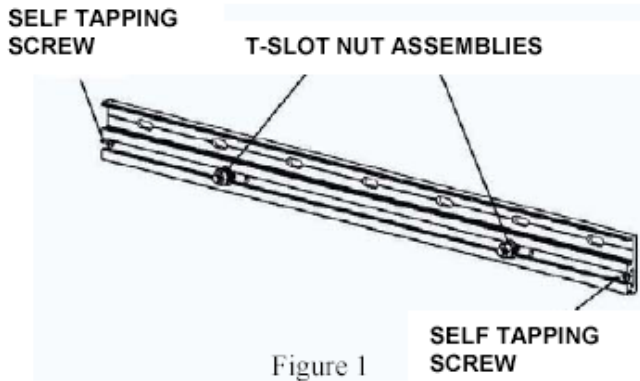
WARNING: IMPROPER INSTALLATION MAY RESULT IN SERIOUS PERSONAL INJURY!

CAUTION: PLASMA DISPLAYS ARE EXTREMELY FRAGILE!

INSTALLATION INSTRUCTIONS

READ COMPLETELY BEFORE PROCEEDING

Assemble Lateral Shift



1. Install the four threaded studs into the four T-slot nuts.
1. Insert two T-slot nut assemblies into each of the lateral shift extrusions to trap T-slot nut assemblies in the tracks (Figure 1).
2. Insert one self-tapping screw into each end of the extrusions to trap T-slot nut assemblies in the tracks (Figure 1).
3. Connect lateral shift extrusions to the plasma static wall mount by inserting the T-slots studs into holes and secure using four flat washers, four lock washers, and four hex nuts (Figure 2).

Mount Lateral Shift

1. Locate and mark stud locations at desired mounting place.
2. Select four mounting holes in the lateral shift extrusions that will align with the stud pattern and mark at least two mounting holes per extrusion at the stud locations.

WARNING: Your mounting structure must be capable of supporting four times the combined weight of the plasma and the mount.

3. Mount the extrusions using a minimum of four anchors.

Continued on next page.

CAUTION! PLASMA DISPLAYS ARE EXTREMELY FRAGILE.

1. Secure latching flags to the inside mounting hole of the mount using two 10-24 x .5 FH undercut screws, two Nylon washers, and two 10-24 Nylock nuts (see Figure 3). Tighten until friction will hold the flags in place.
2. Attach mounting buttons to plasma using six M6 x 25 cap screws (see Figure 4 and Figure 5).

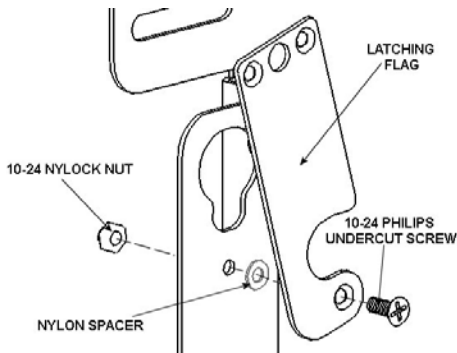


Figure 3

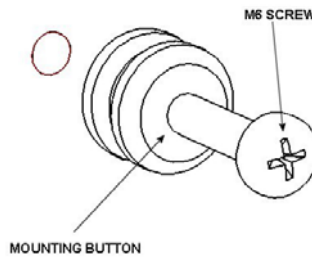


Figure 4

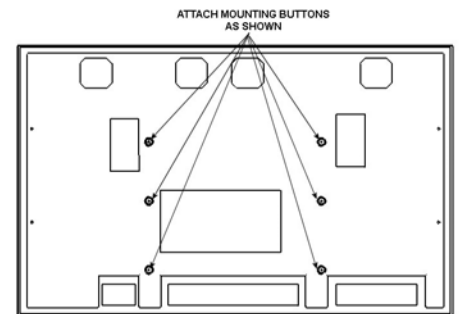


Figure 5

WARNING!

ALL COMPONENTS MUST BE SECURELY FASTENED TO A STRUCTURAL MEMBER CAPABLE OF SUPPORTING 4 TIMES THE COMBINED WEIGHT OF ALL COMPONENTS PLUS THE EQUIPMENT BEING MOUNTED. IF IT CANNOT SUPPORT THIS WEIGHT, THE STRUCTURE MUST BE REINFORCED.

THE MAXIMUM WEIGHT TO BE INSTALLED ON THE MOUNT IS 150 POUNDS (68.04 KG).

3. Securely anchor the static mount to wall using wall studs or supporting framework (see WARNING).
4. Make sure both latches are lowered to the side before attempting to place the plasma on the mount.
5. With the aid of another person, lift the display up to the mount, align the mounting buttons on the plasma with the teardrop slots in the mount, and set the display into place (see Figure 5).

CAUTION! IF THE LATCHES WILL NOT TRAVEL TO THE FULL UPRIGHT POSITION, REMOVE AND RESEAT THE DISPLAY.

6. While supporting the display, raise both latches to secure the display.